

[54] **CONTAINER FOR LIQUIDS OR THE LIKE**

[56]

References Cited

[75] **Inventors:** **Robert J. Gruodis**, Oak Lawn;
William T. Franz, Palos Park;
Edward J. Hayes, Elmhurst, all of Ill.

U.S. PATENT DOCUMENTS

D. 256,333	8/1980	Campbell et al.	D9/370
D. 257,463	10/1980	Campbell et al.	D9/370
D. 264,558	5/1982	Maeda	D9/370
1,795,489	3/1931	Hothersall	220/73 X
4,108,324	8/1978	Krishnakumar et al.	220/70 X
4,134,510	1/1979	Chang	220/70 X

[73] **Assignee:** **The Continental Group, Inc.**,
Stamford, Conn.

Primary Examiner—Robert C. Spangler
Attorney, Agent, or Firm—John J. Kowalik

[**] **Term:** **14 Years**

[57] **CLAIM**

[21] **Appl. No.:** **248,663**

The ornamental design for a container for liquids or the like, as shown and described.

[22] **Filed:** **Mar. 27, 1981**

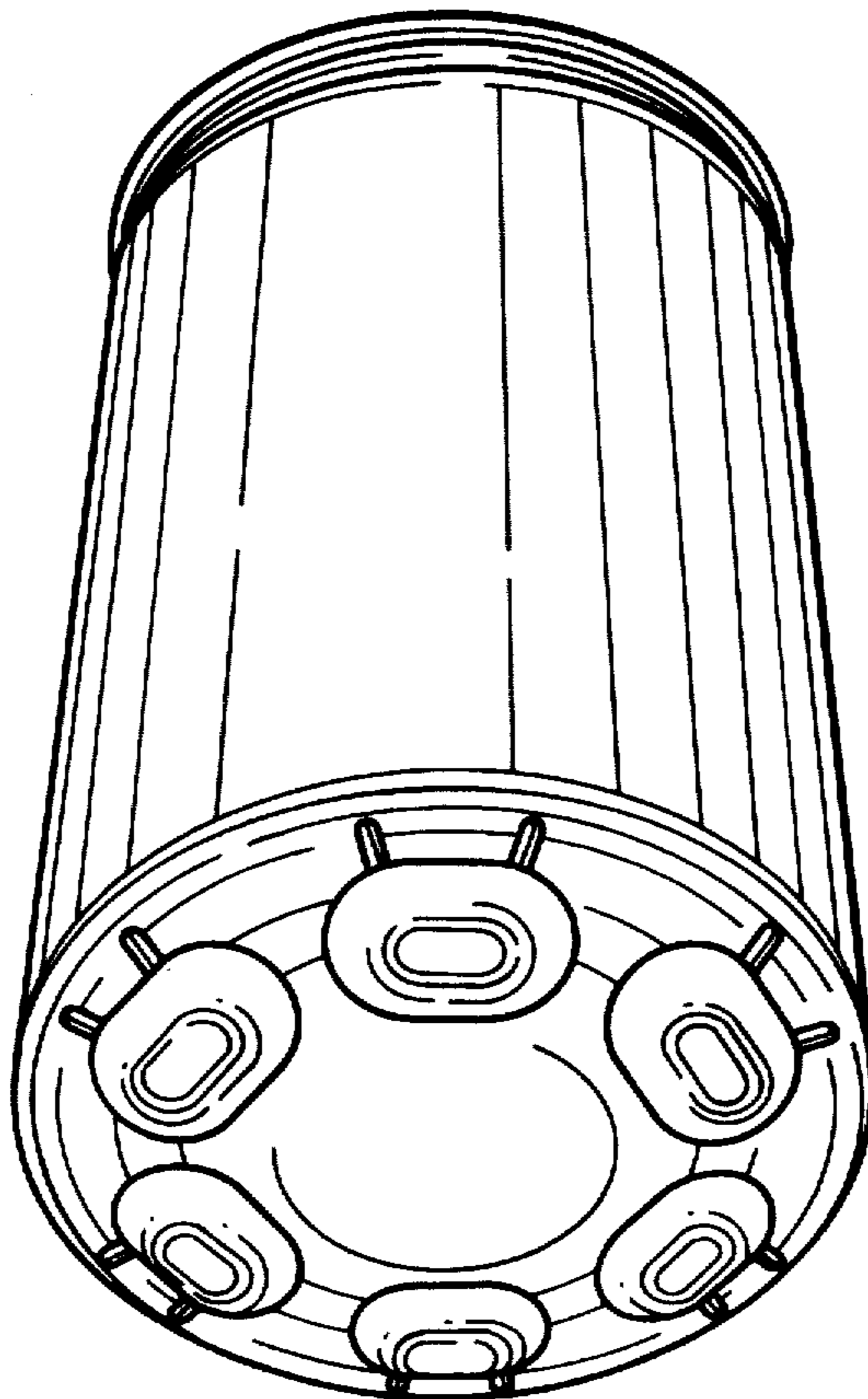
DESCRIPTION

[51] **Int. Cl.** **D9-01**

FIG. 1 is a bottom perspective view of a container for liquids or the like showing our new design;
FIG. 2 is a side elevational view thereof;
FIG. 3 is a top plan view thereof, and
FIG. 4 is a bottom plan view thereof.

[52] **U.S. Cl.** **D9/370; D9/399**

[58] **Field of Search** 220/66-70,
220/1 BC, 73; D9/349, 355, 370, 390, 399;
215/1 R, 1 C



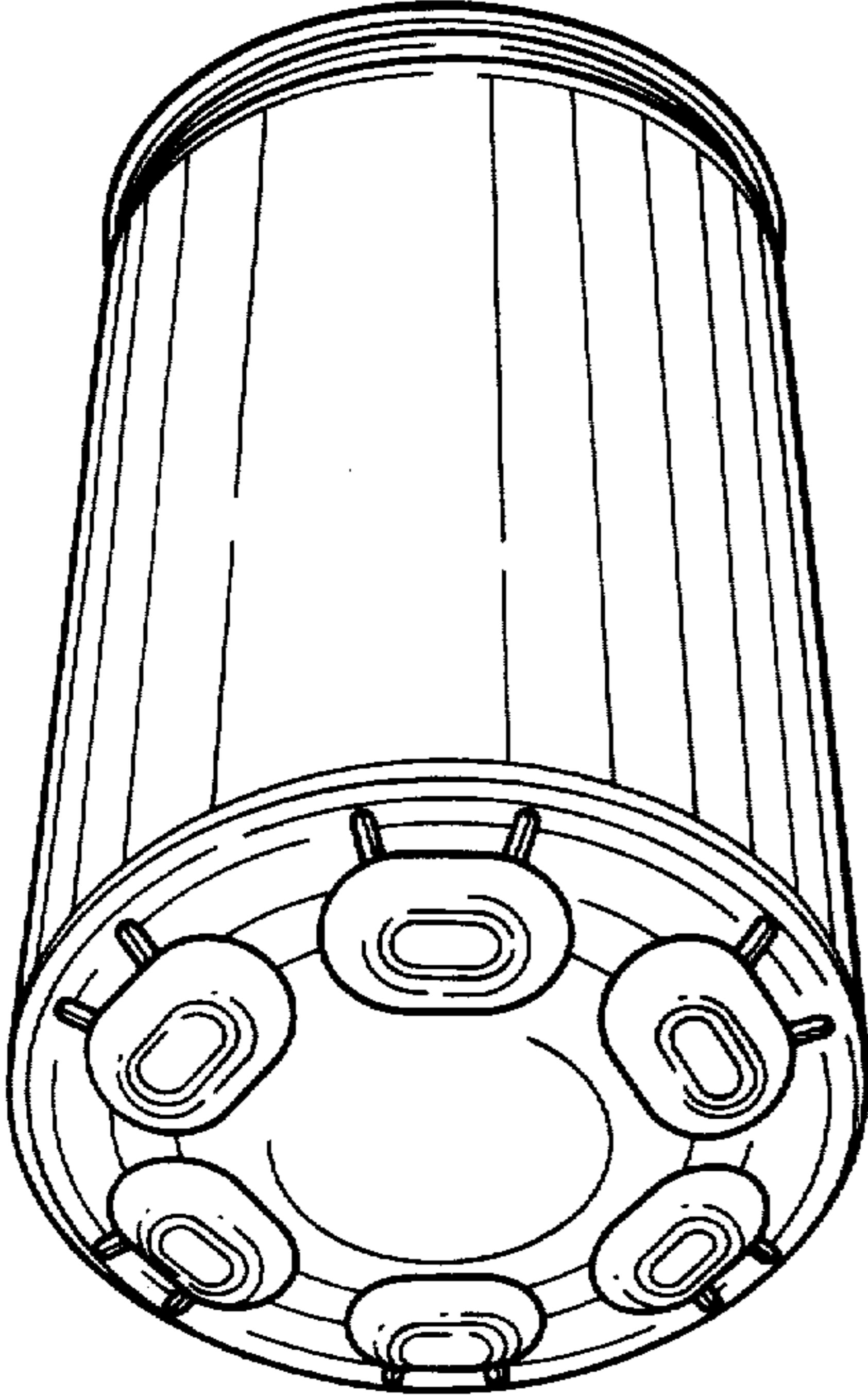


FIG. 1

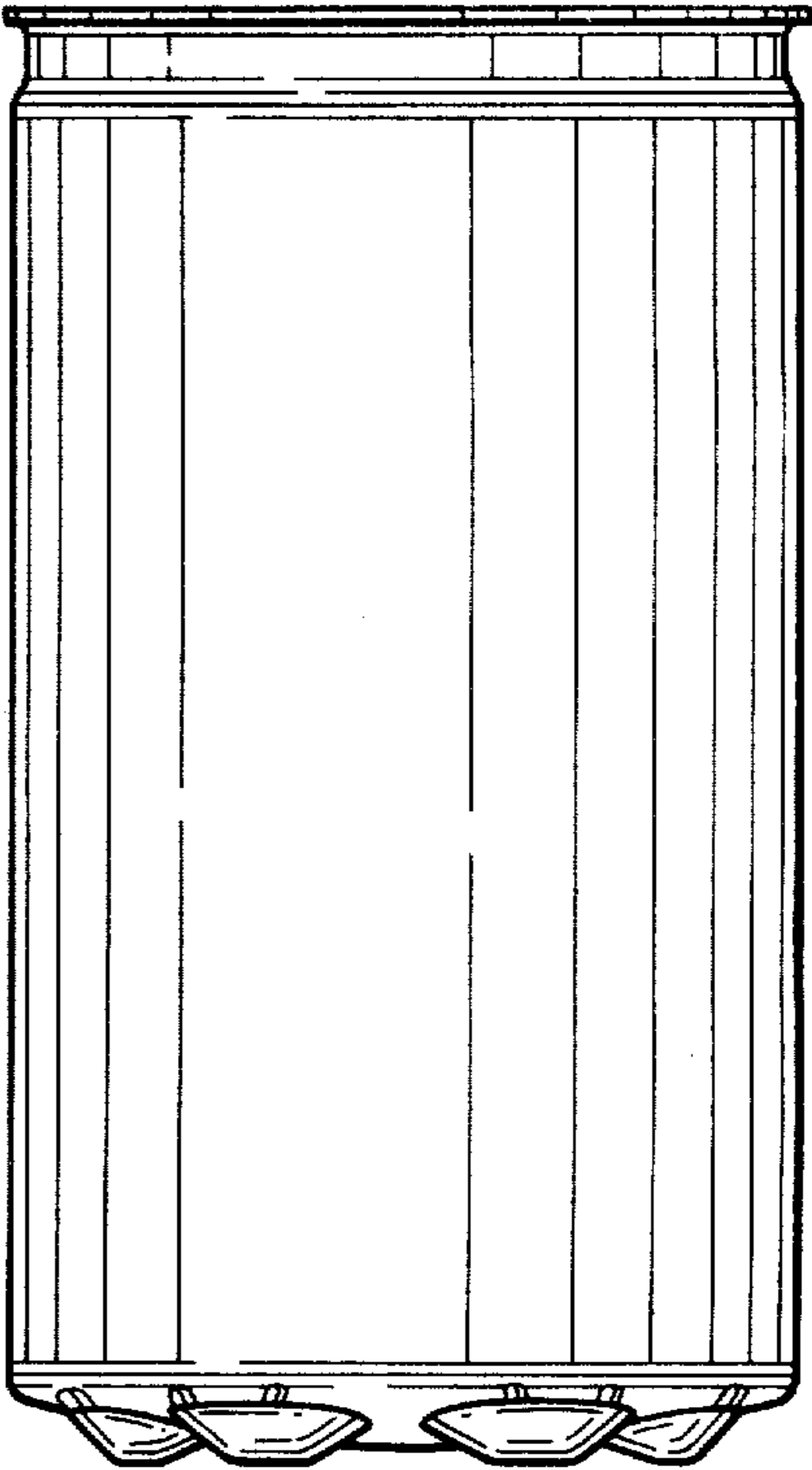


FIG. 2

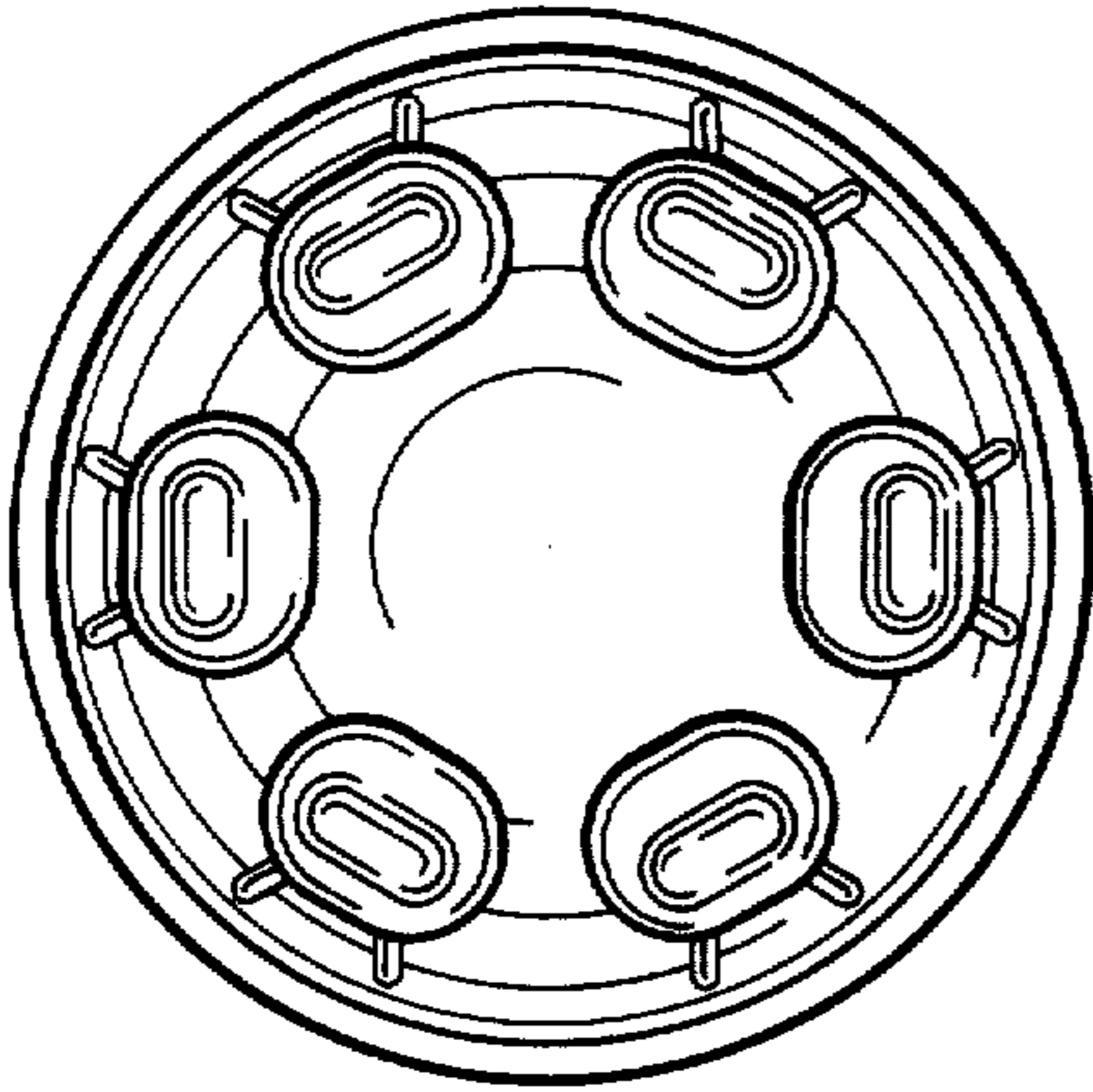


FIG. 3

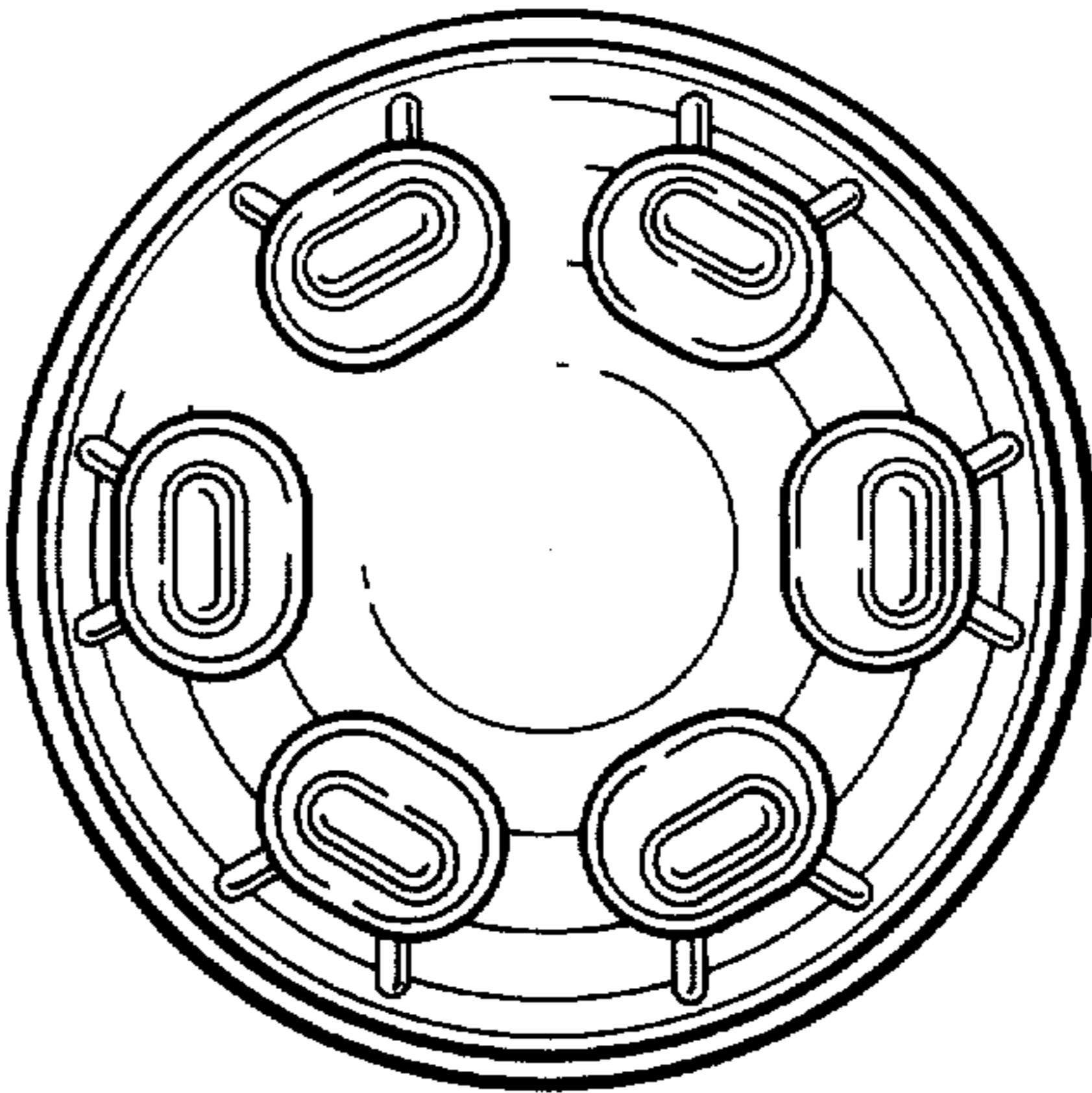


FIG. 4