

[54] **COMBINED BOTTLE AND CAP**

[75] **Inventor: Michael Barney, Leeds, England**

[73] **Assignee: Lever Brothers Company, New York, N.Y.**

[**] **Term: 14 Years**

[21] **Appl. No.: 61,139**

[22] **Filed: Jul. 26, 1979**

[30] **Foreign Application Priority Data**

Jan. 30, 1979 [GB] United Kingdom 988336

[51] **Int. Cl. D9-01**

[52] **U.S. Cl. D9/367; D9/407**

[58] **Field of Search D9/367, 401, 403-413; 215/1 R, 1 C**

[56] **References Cited**

U.S. PATENT DOCUMENTS

D. 90,464 8/1933 Vaulchier D9/407
D. 102,420 12/1936 Freedman D9/407
D. 163,454 5/1951 Fuerst D9/407

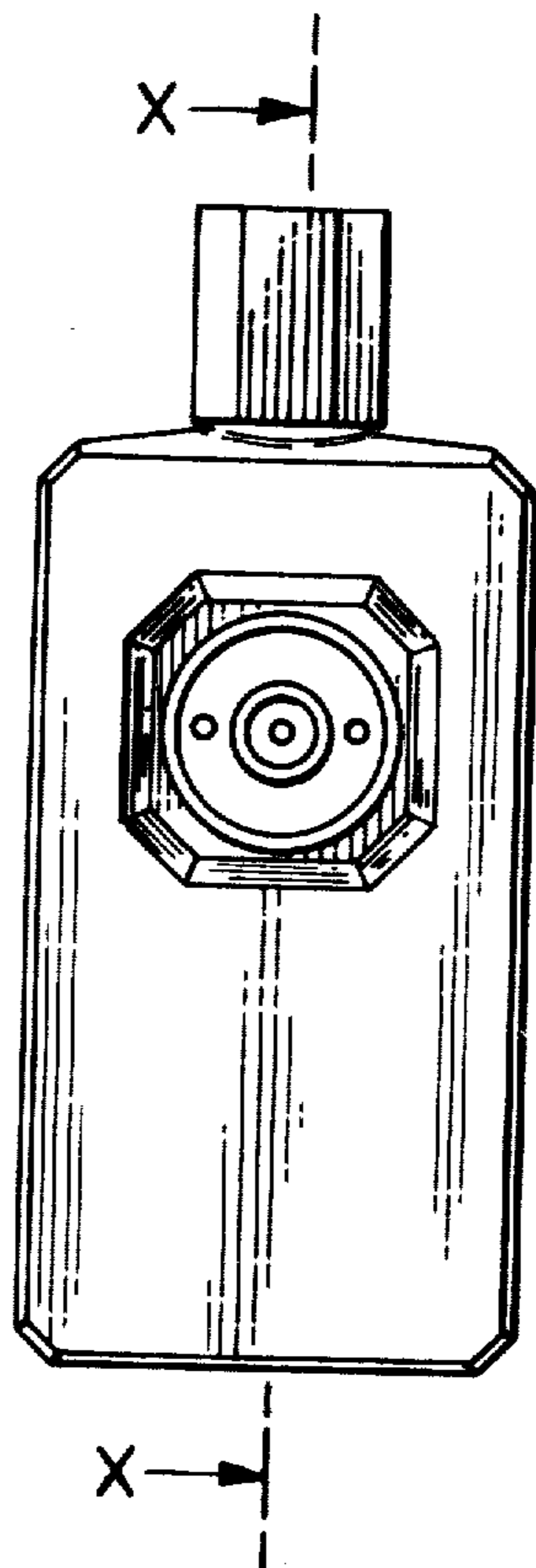
Primary Examiner—Robert C. Spangler

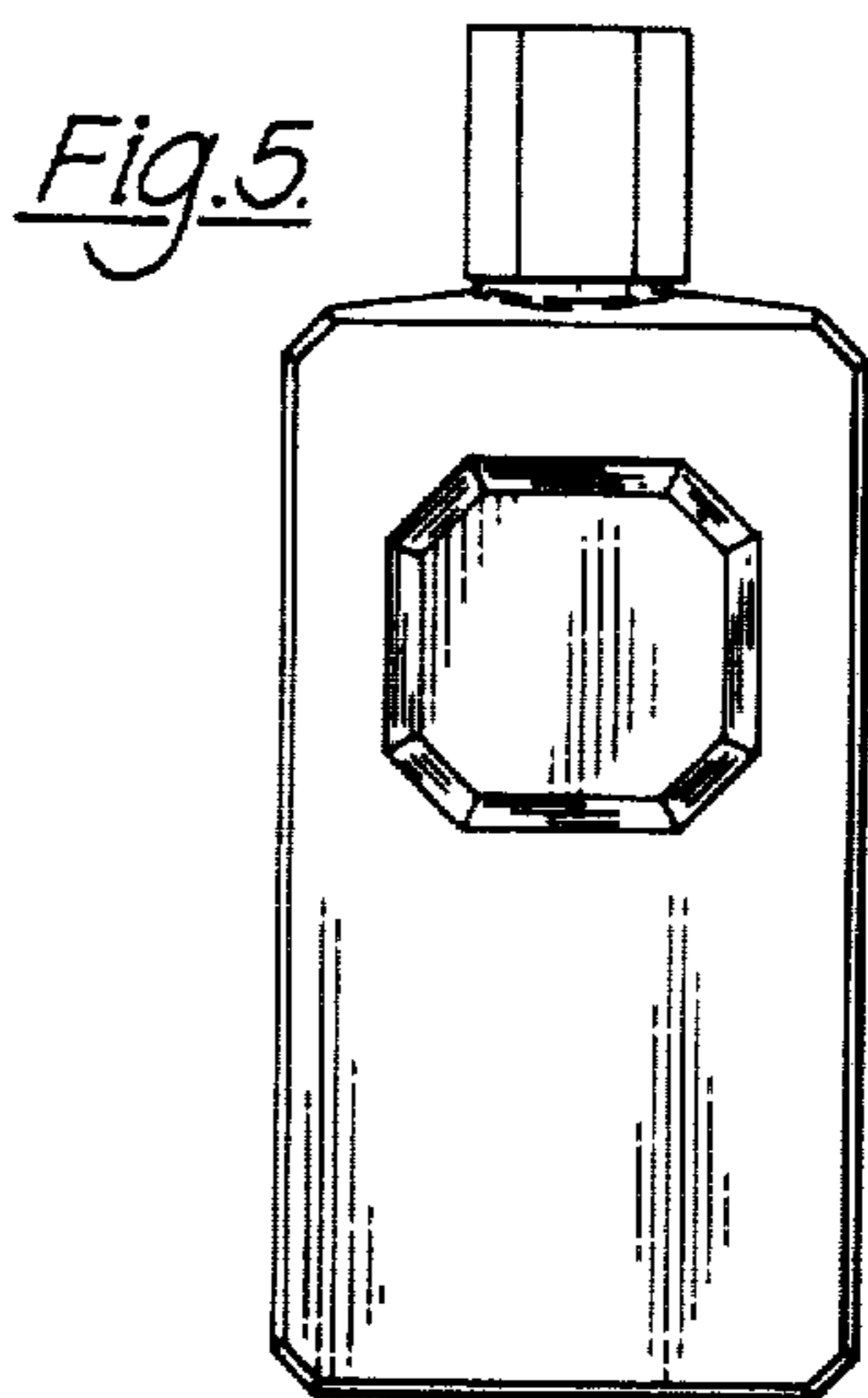
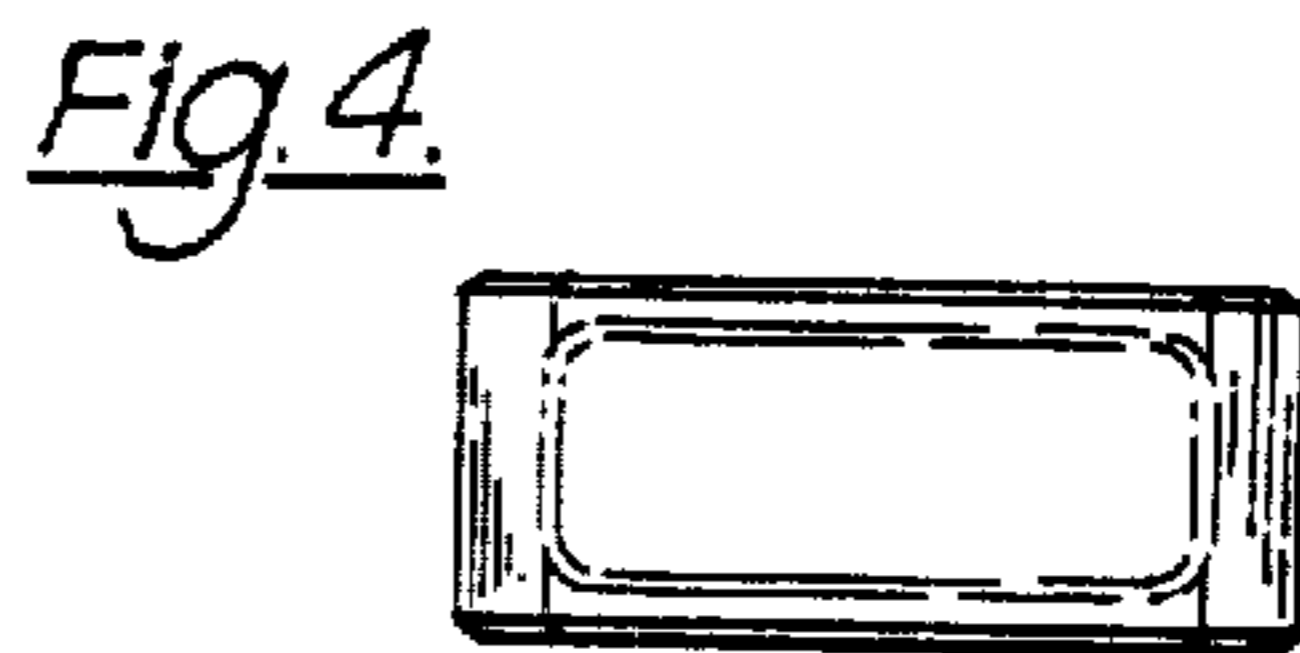
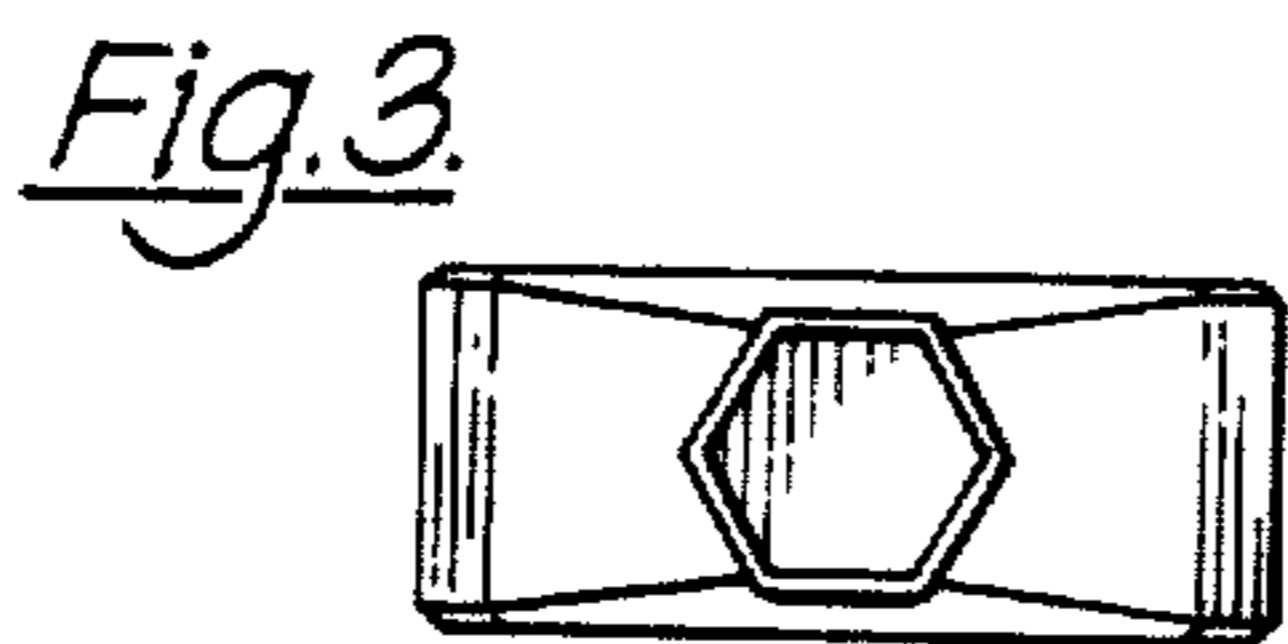
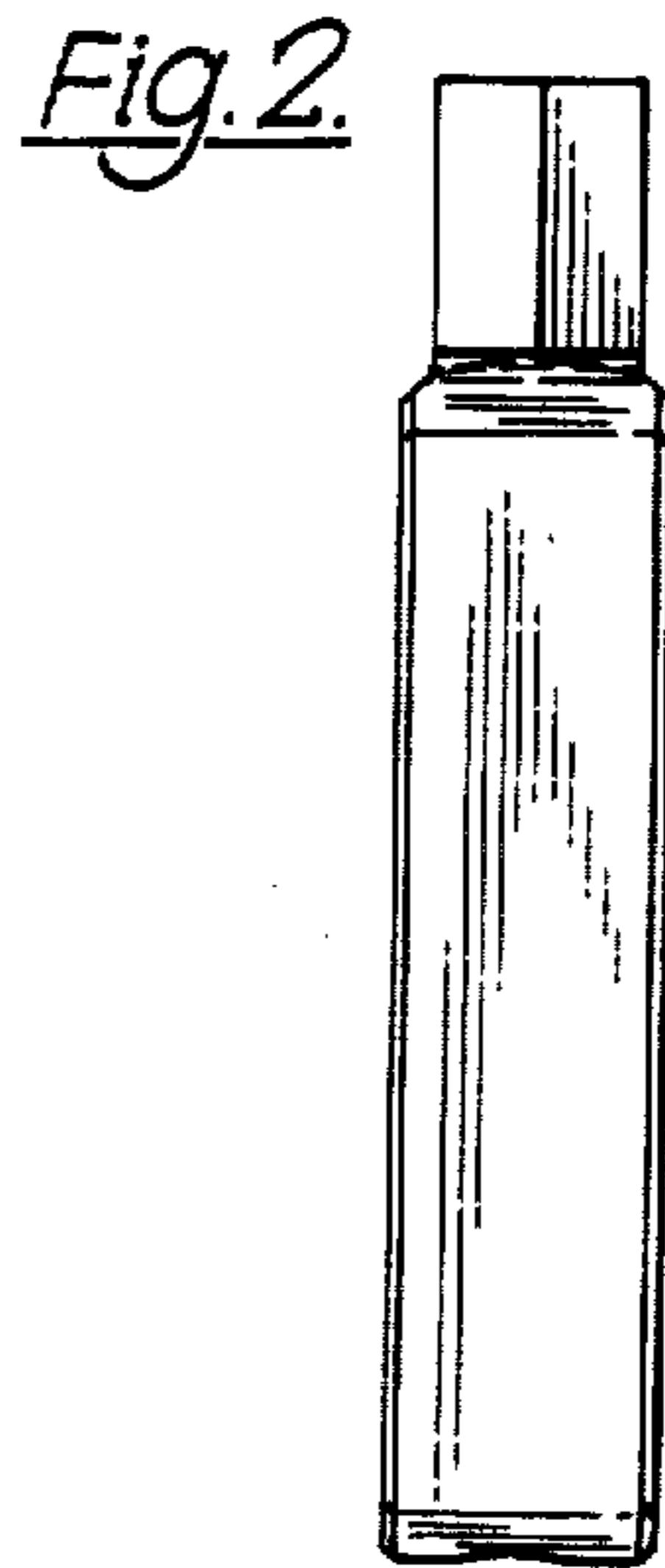
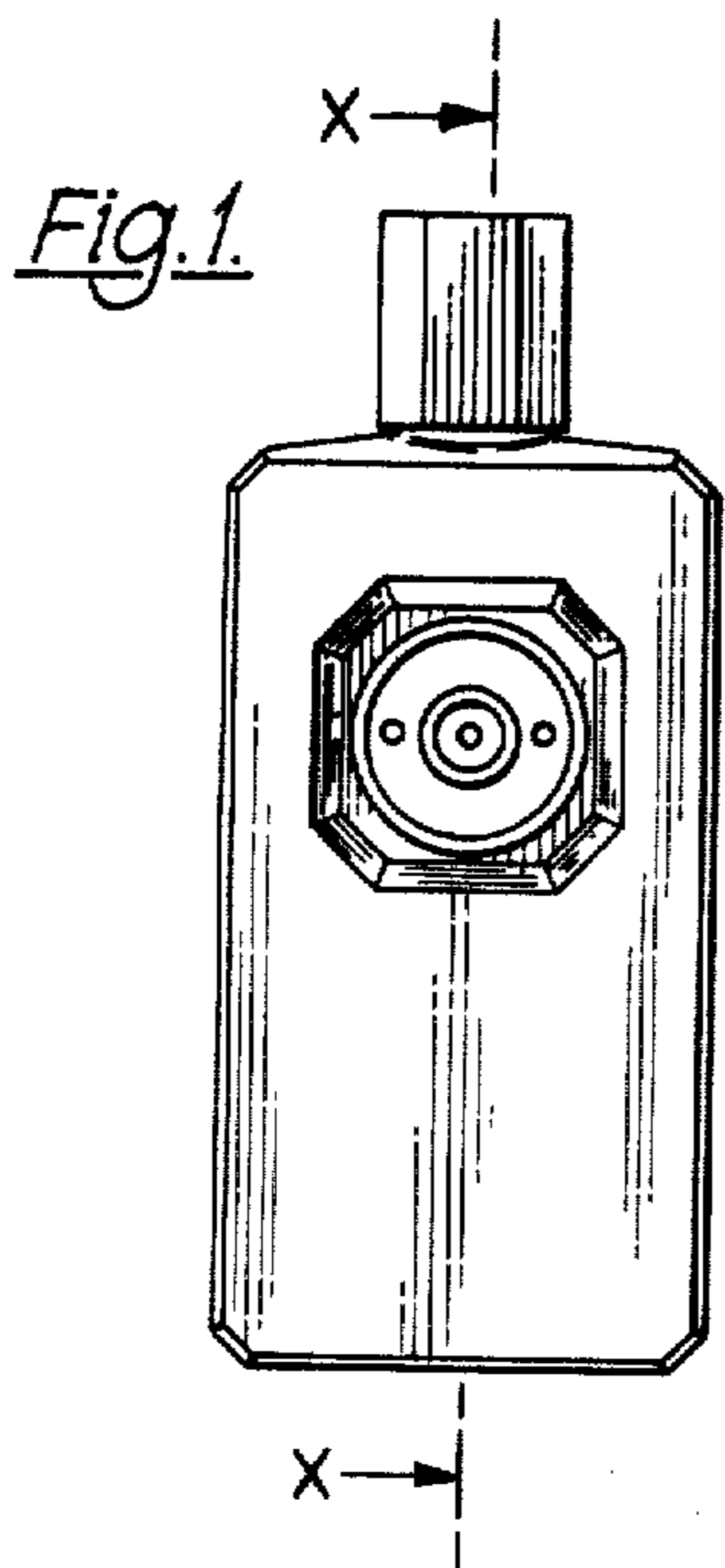
[57] **CLAIM**

The ornamental design for a combined bottle and cap, substantially as shown and described.

DESCRIPTION

FIG. 1 is a front elevational view of a combined bottle and cap showing my new design;
FIG. 2 is a side elevational view, the opposite side being the same in appearance;
FIG. 3 is a top plan view;
FIG. 4 is a bottom plan view;
FIG. 5 is a rear elevational view; and
FIG. 6 is a vertical sectional view taken through the center of FIG. 1.





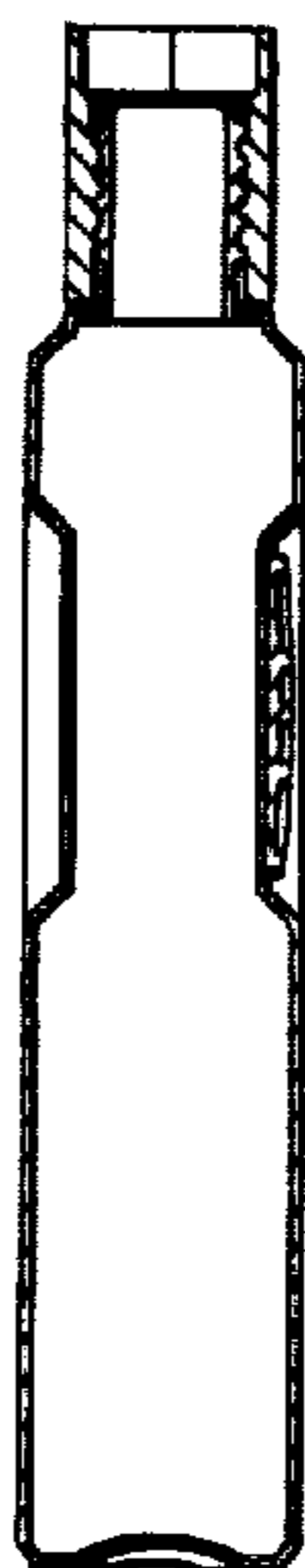


Fig. 6.