

[54] COMBINED FIXING AND RETAINING CLIP FOR ELONGATE BODIES

[75] Inventor: Daiji Nakama, Chigasaki, Japan

[73] Assignee: Nifco, Inc., Yokohama, Japan

[**] Term: 14 Years

[21] Appl. No.: 200,741

[22] Filed: Oct. 27, 1980

[30] Foreign Application Priority Data

May 31, 1980 [JP] Japan 55-21589

[51] Int. Cl. D8-08

[52] U.S. Cl. D8/356; D8/390; D8/395; D8/396

[58] Field of Search D8/388-390, D8/394-396, 356; 248/49, 58, 65, 67.7, 68 R, 68 CB, 71, 74.1, 74.3; 24/339

[56] References Cited

U.S. PATENT DOCUMENTS

2,340,249 1/1944 Murphy 248/68 R

2,453,980 11/1948 Hartman 248/68 R
2,495,848 1/1950 Kiesel 248/68 R
3,088,702 5/1963 Orenick et al. 248/71
4,131,258 12/1978 Okuda et al. 24/339
4,295,618 10/1981 Morota et al. 248/68 R

Primary Examiner—B. J. Bullock
Attorney, Agent, or Firm—Jack R. Halvorsen; Thomas W. Buckman; Jerold M. Forsberg

[57] CLAIM

The ornamental design for a combined fixing and retaining clip for elongate bodies, as shown and described.

DESCRIPTION

FIG. 1 is a front view of a combined fixing and retaining clip for elongate bodies showing my new design.

FIG. 2 is a side view thereof.

FIG. 3 is a top plan view thereof.

FIG. 4 is a bottom plan view thereof.

FIG. 5 is a bottom and right rear perspective view thereof.

FIG. 6 is a front view thereof, the portion of a panel and elongate bodies being shown in broken lines for illustrative purposes only.

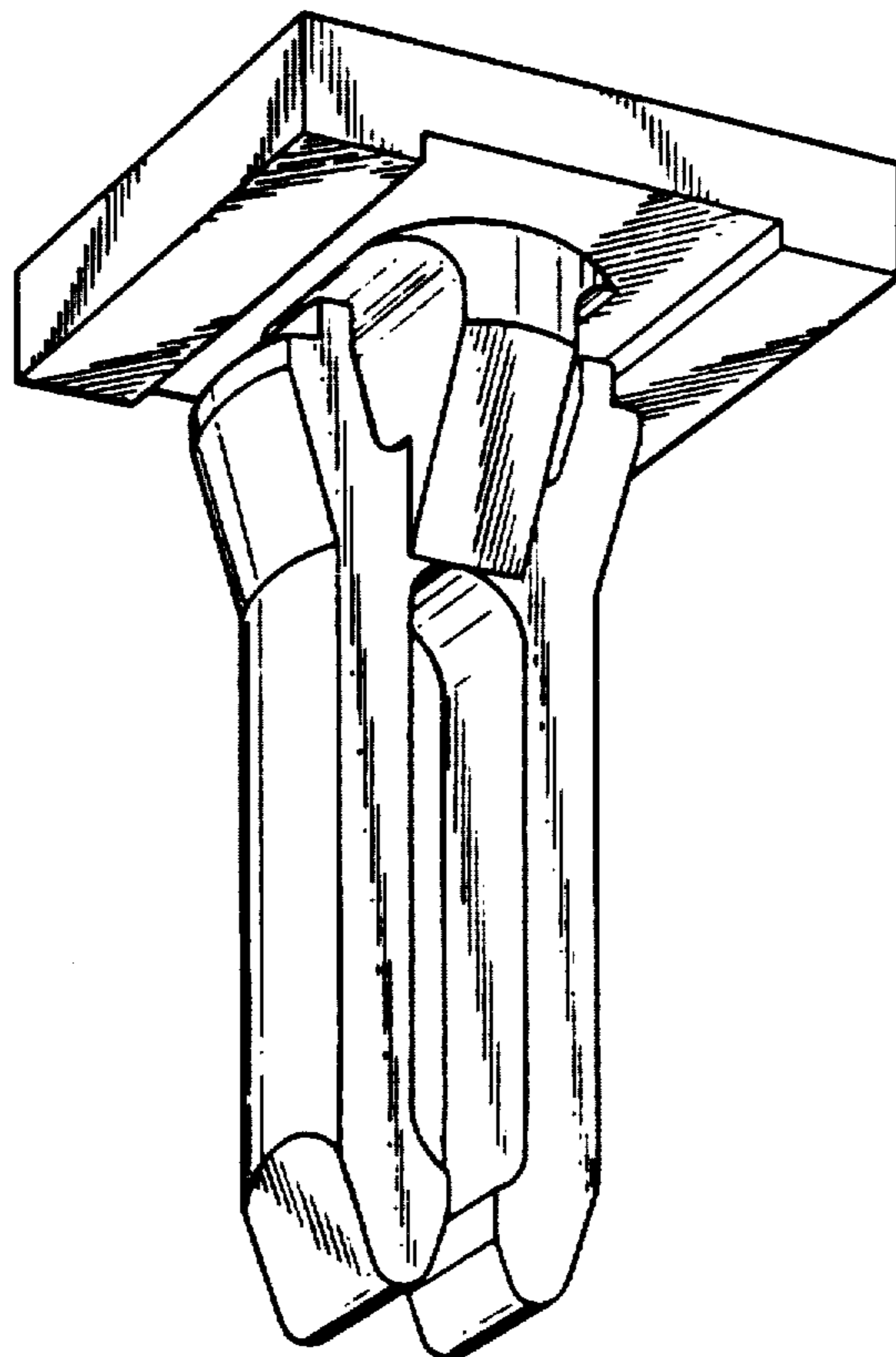


Fig. 3

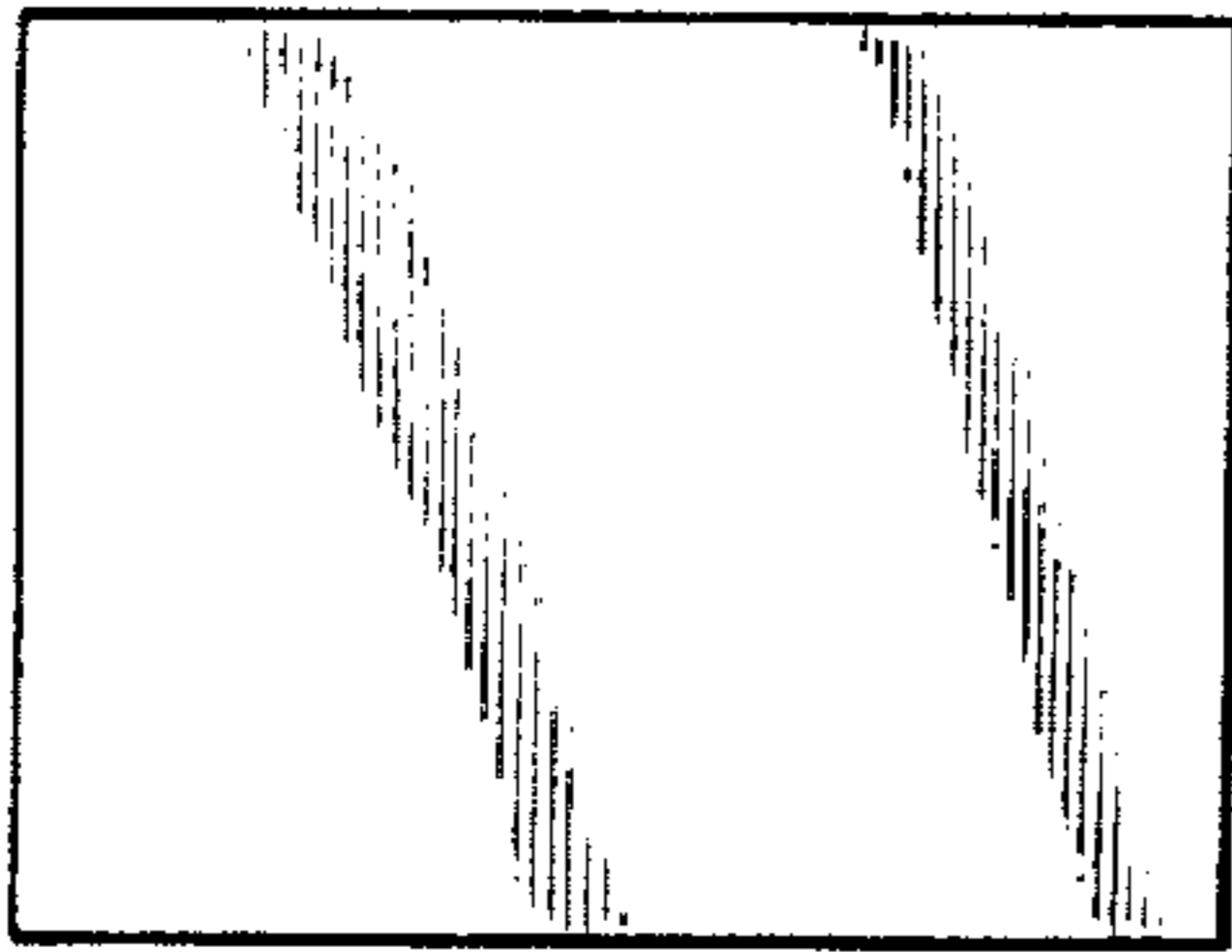


Fig. 1

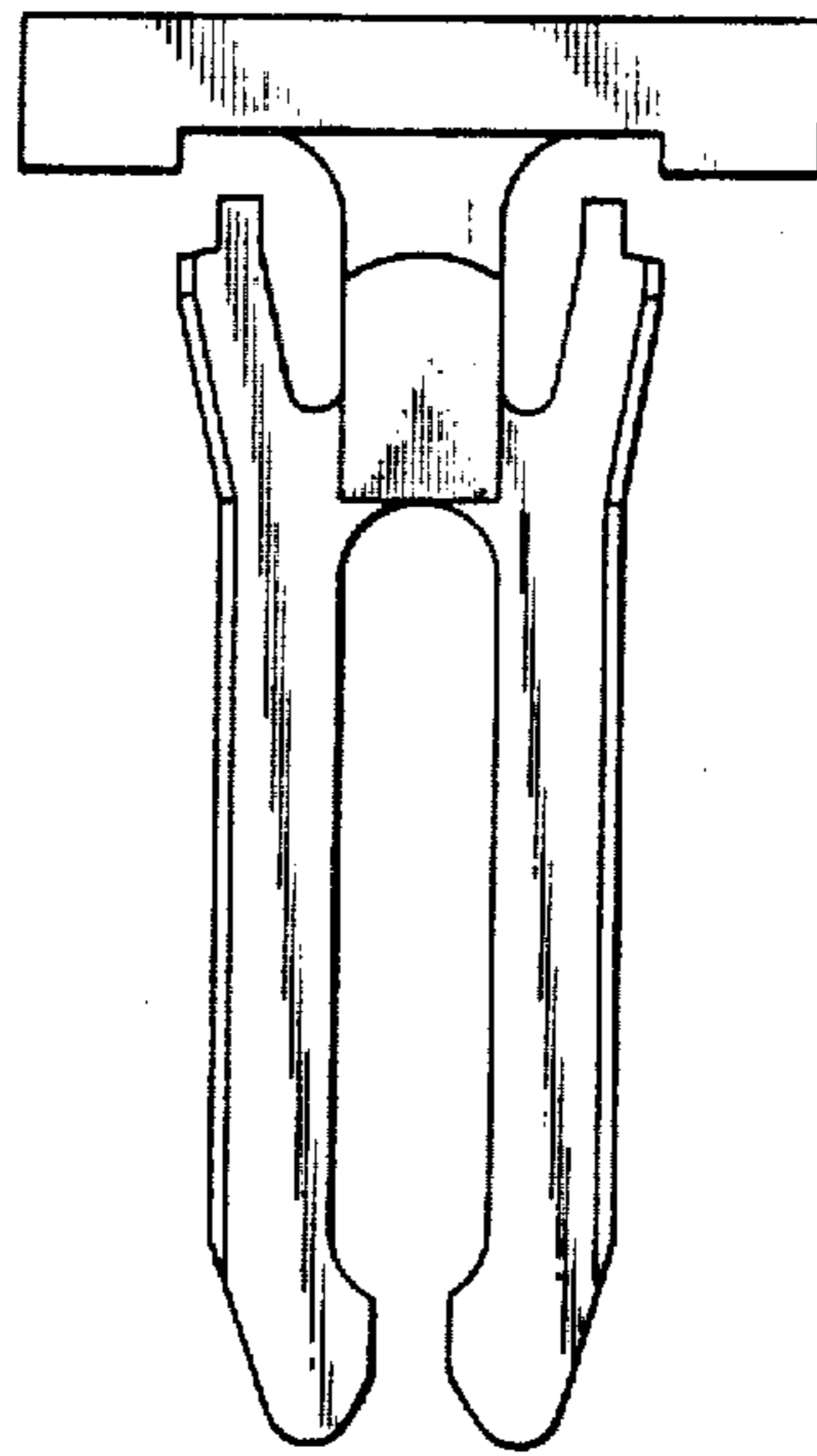


Fig. 2

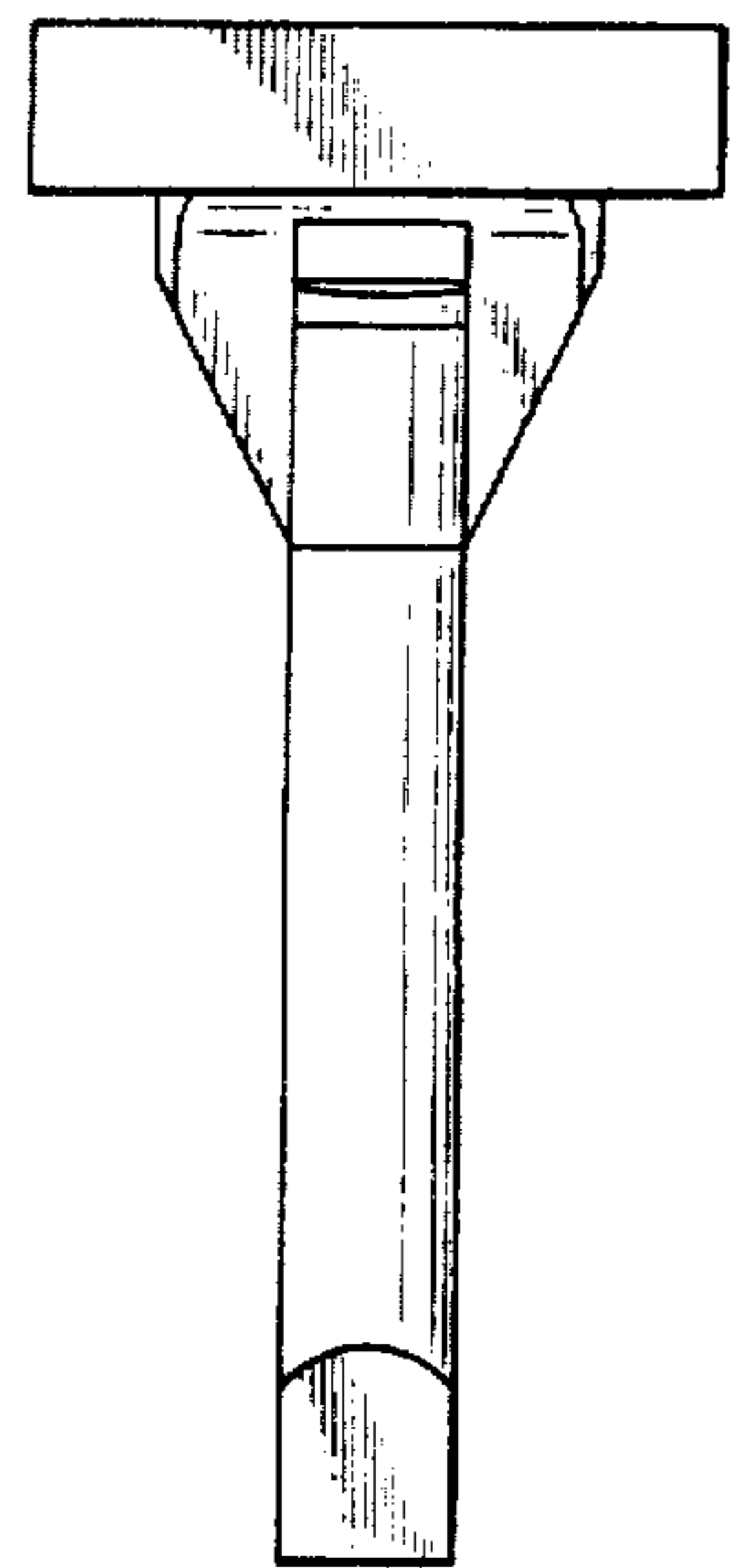


Fig. 4

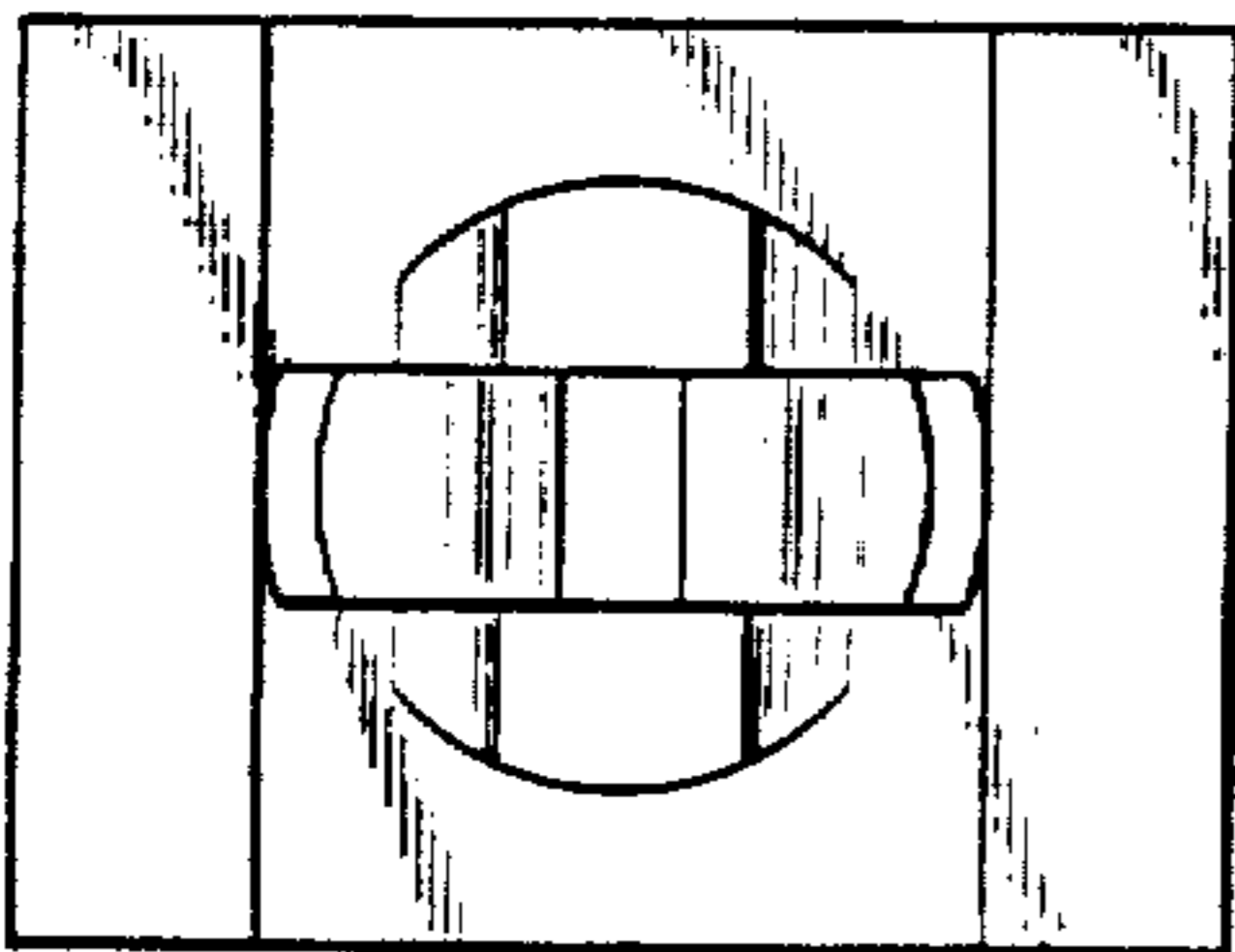


Fig. 5

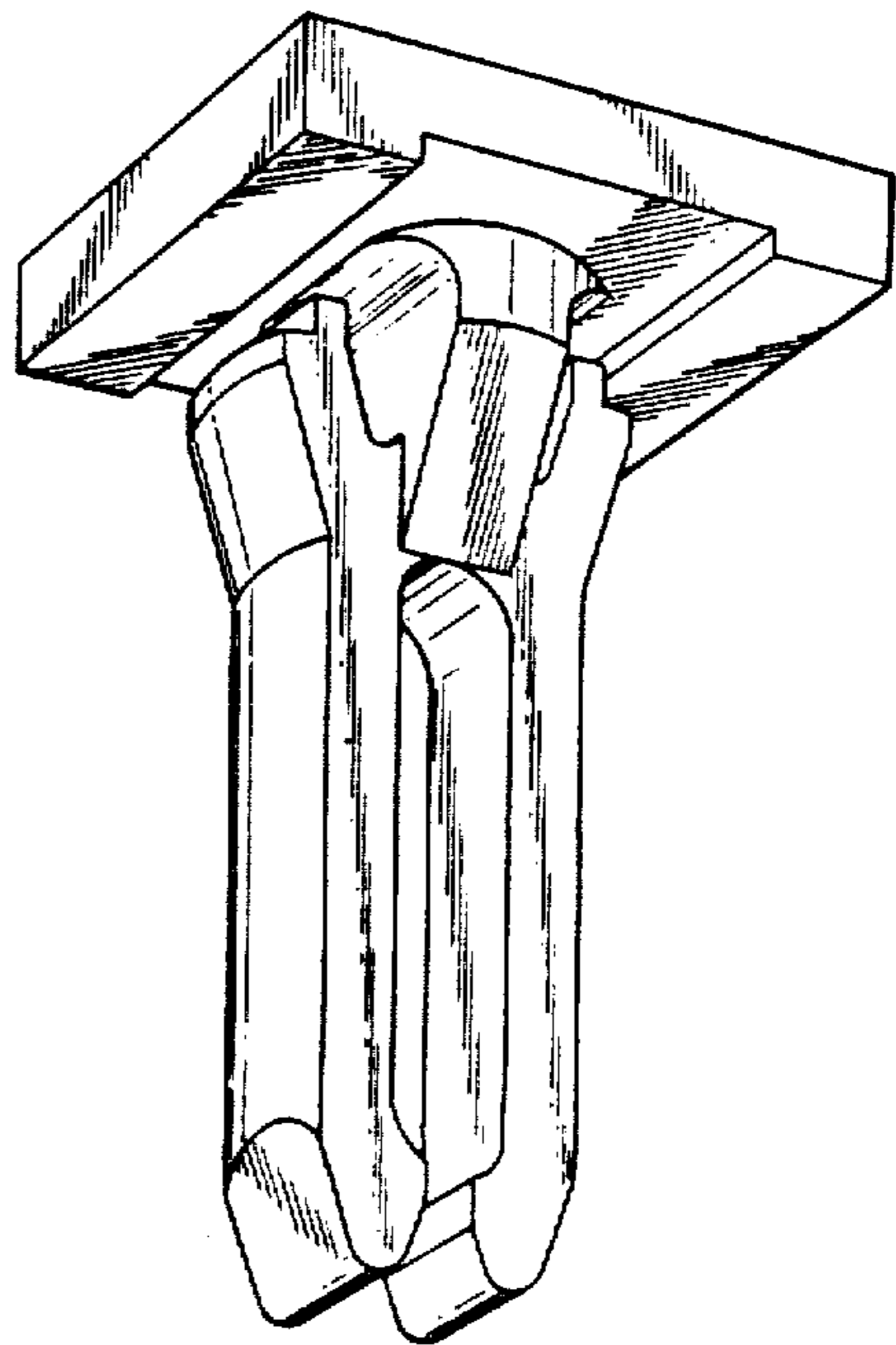


Fig. 6

