

[54] **PULL TAB OPENER**

[76] **Inventor: Mark H. Hanslmair, 10037 Culver Blvd., Culver City, Calif. 90230**

[\*\*] **Term: 14 Years**

[21] **Appl. No.: 268,192**

[22] **Filed: May 29, 1981**

[51] **Int. Cl. .... D07-99**

[52] **U.S. Cl. .... D8/40**

[58] **Field of Search .... D8/18, 33, 40, 43, 17; 7/170; 81/3.46 R, 3.46 A; 220/274, 275, 284, 285**

3,228,552 1/1966 Rutledge ..... 220/284  
 4,253,352 3/1981 O'Neal ..... D8/18 X  
 4,304,019 12/1981 Sava ..... 7/170  
 4,309,921 1/1982 Miller ..... 81/3.46 R

*Primary Examiner*—Joel Stearman  
*Assistant Examiner*—Carmen H. Vales  
*Attorney, Agent, or Firm*—Roger A. Marrs

[57] **CLAIM**

The ornamental design for a pull tab opener, substantially as shown and described.

**DESCRIPTION**

FIG. 1 is a top perspective view of a pull tab opener showing my new design;  
 FIG. 2 is a bottom perspective view thereof;  
 FIG. 3 is a top plan view thereof; and  
 FIG. 4 is a side elevational view thereof.

[56] **References Cited**  
**U.S. PATENT DOCUMENTS**  
 1,826,740 10/1931 Courtney ..... 81/3.46 A

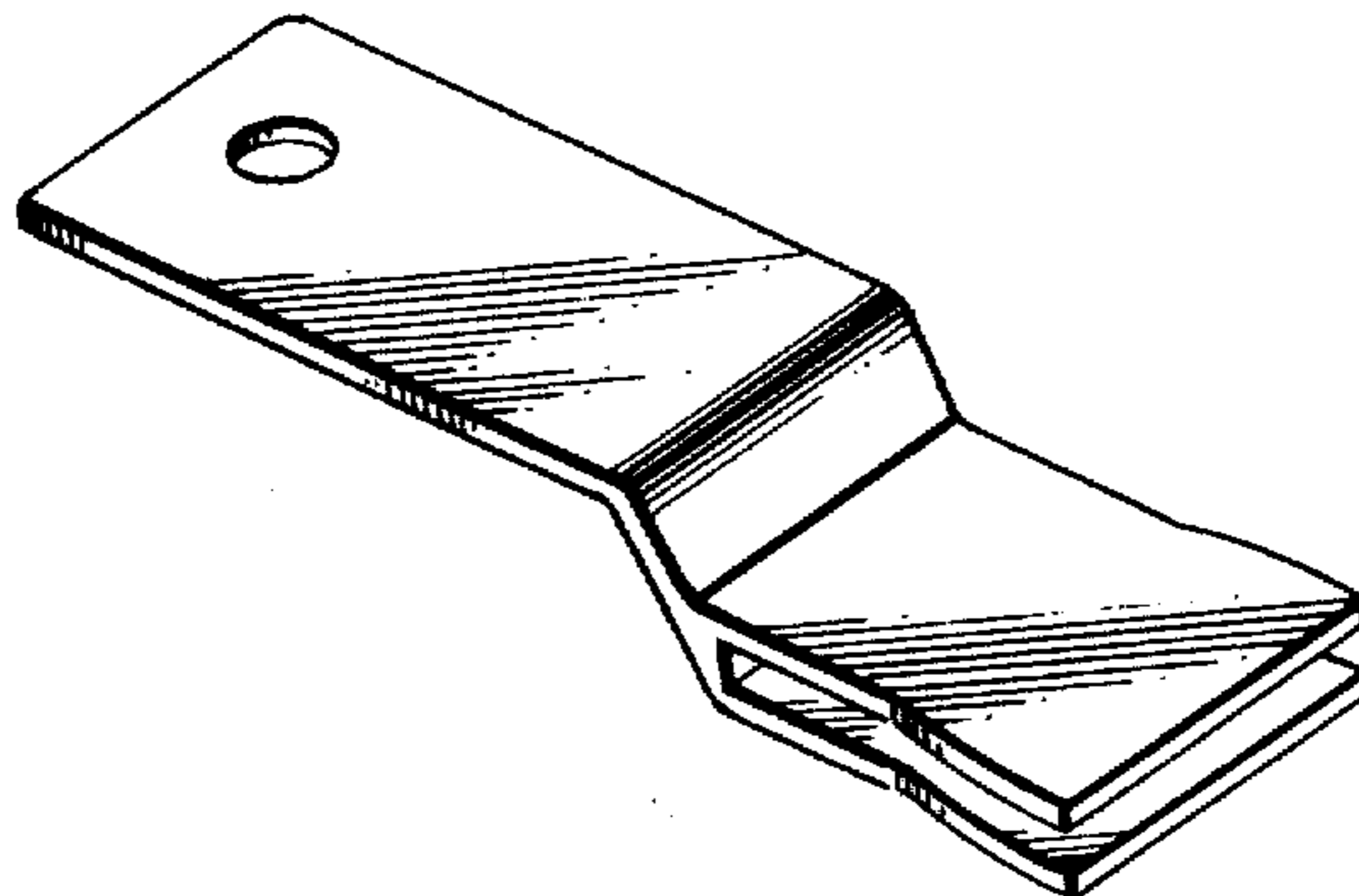


FIG. 1

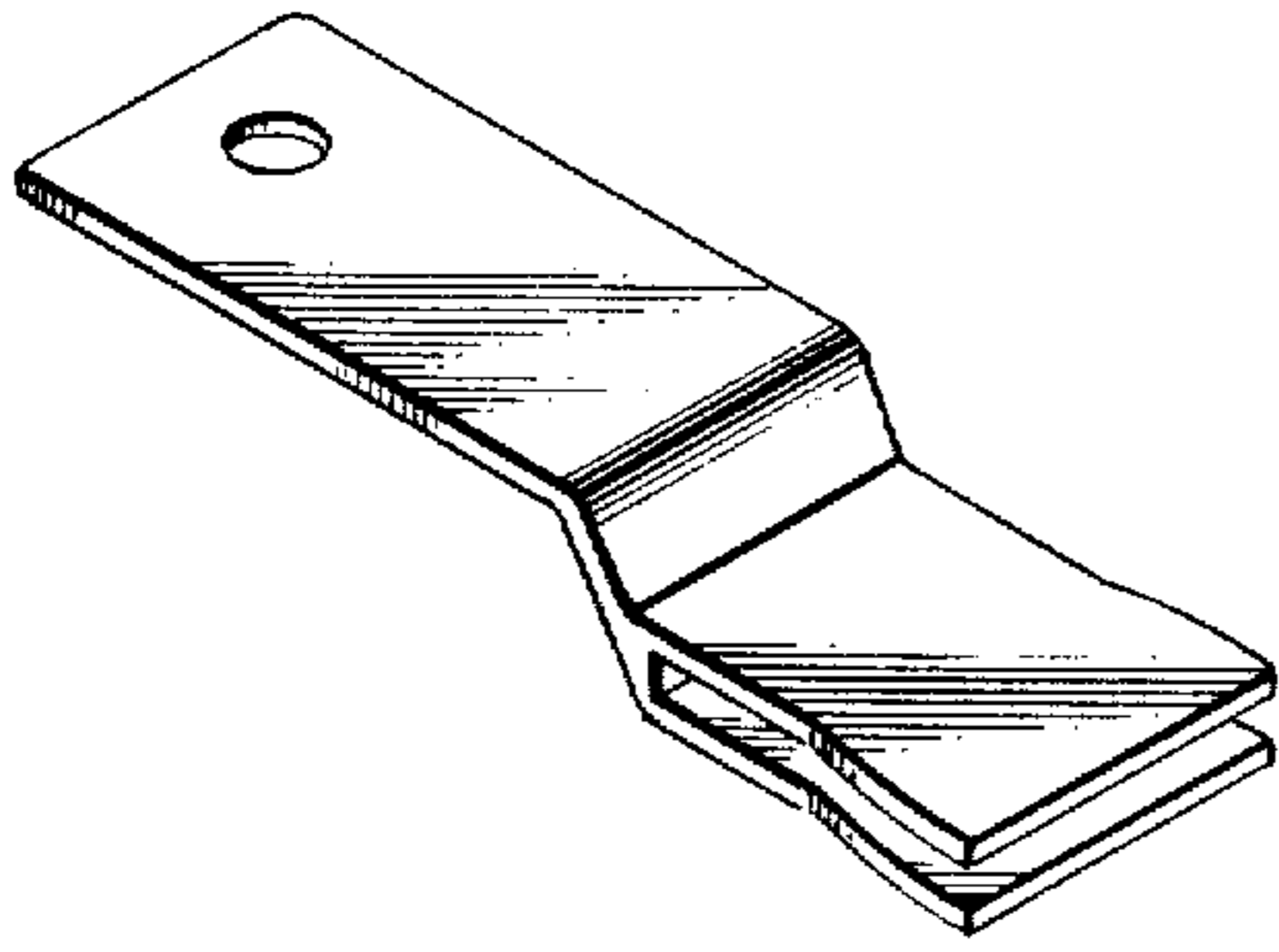


FIG. 2

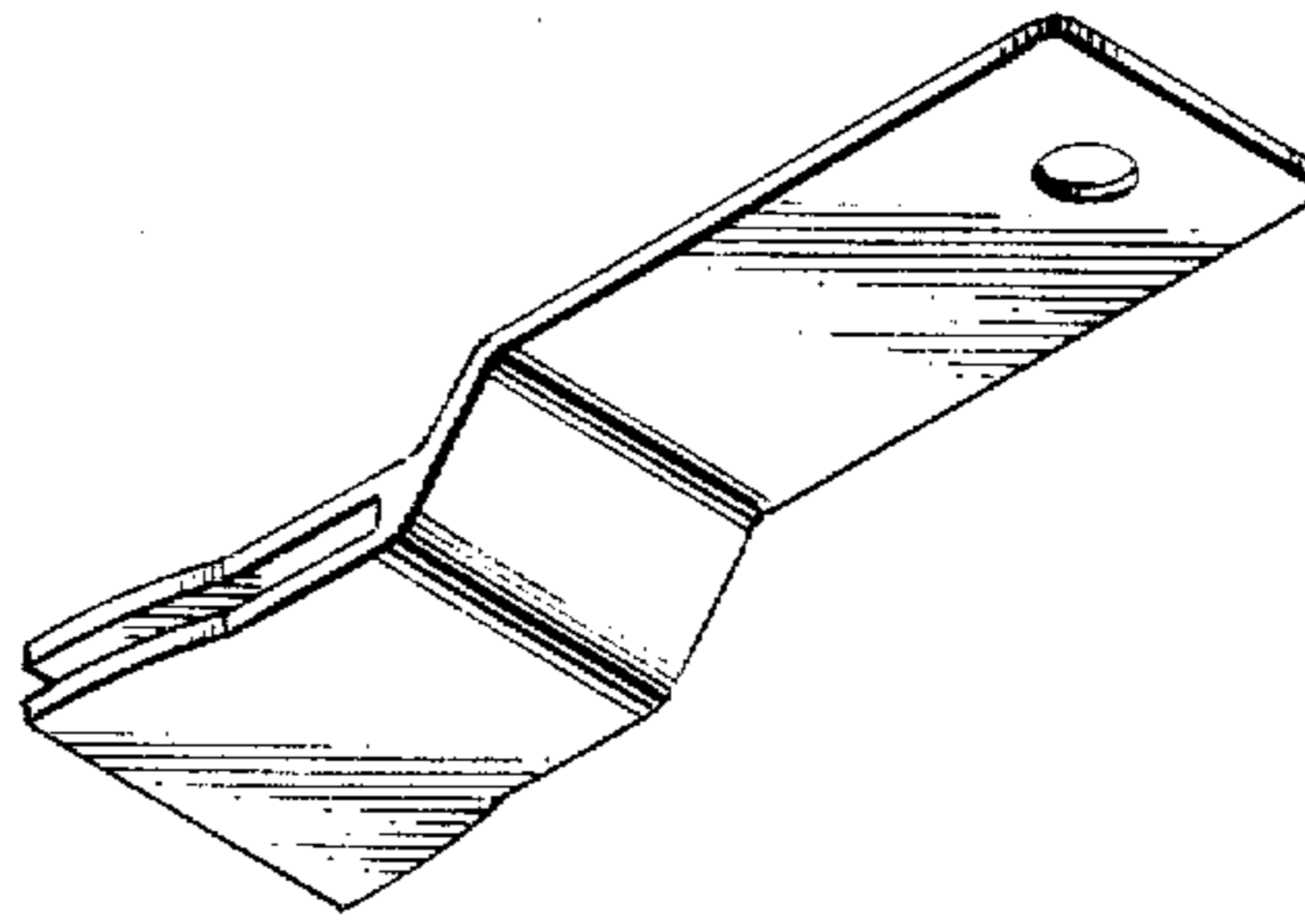


FIG. 3

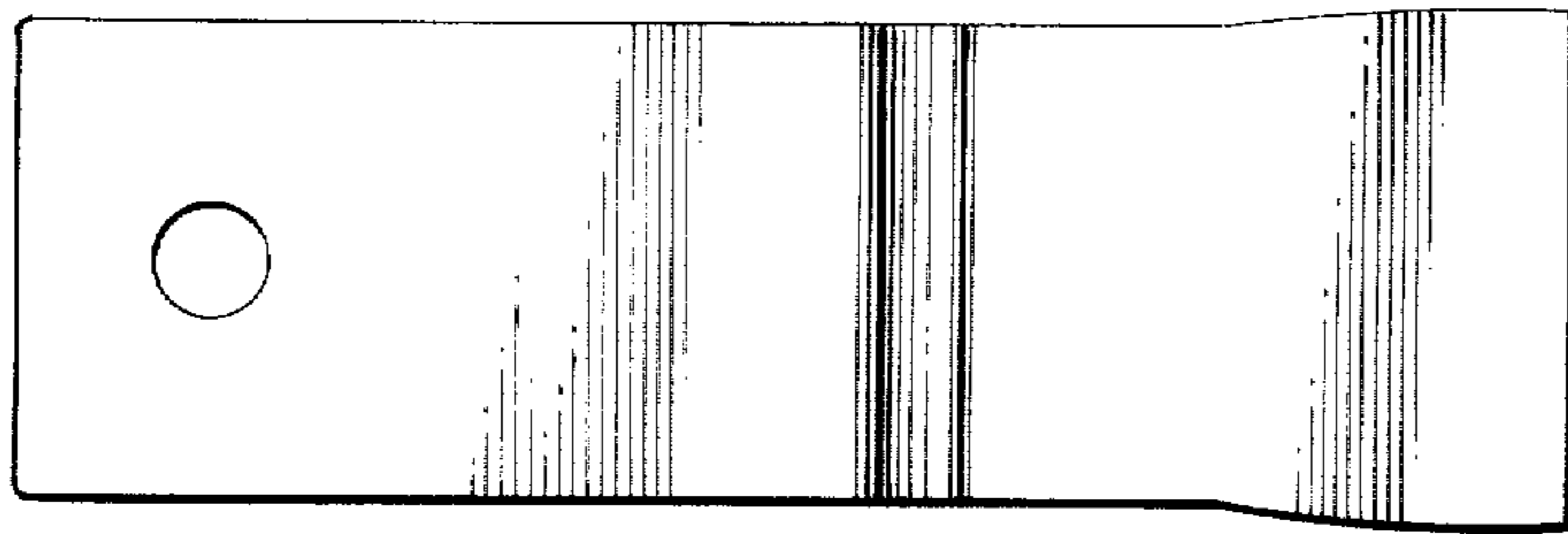


FIG. 4

