

[54] PERCOLATOR

[75] Inventor: Alan A. Phillips, Kewaskum, Wis.

[73] Assignee: Dart Industries Inc., Northbrook, Ill.

[\*\*] Term: 14 Years

[21] Appl. No.: 243,098

[22] Filed: Mar. 12, 1981

[51] Int. Cl. .... D07-02

[52] U.S. Cl. .... D7/321

[58] Field of Search ..... D7/59, 60, 77, 62, 63, D7/66, 67, 65, 64

[56] References Cited

U.S. PATENT DOCUMENTS

- D. 178,435 7/1956 Swann ..... D7/62
- D. 227,143 6/1973 Haynes ..... D7/65 X
- D. 236,177 8/1975 Reyda ..... D7/62

- 3,774,338 11/1973 Waak ..... D7/60 X
- 3,858,494 1/1975 Martin ..... D7/62 X

OTHER PUBLICATIONS

*Design*, Nov. 1976, p. 19, "Braun" Water Heater, top of page at middle left.

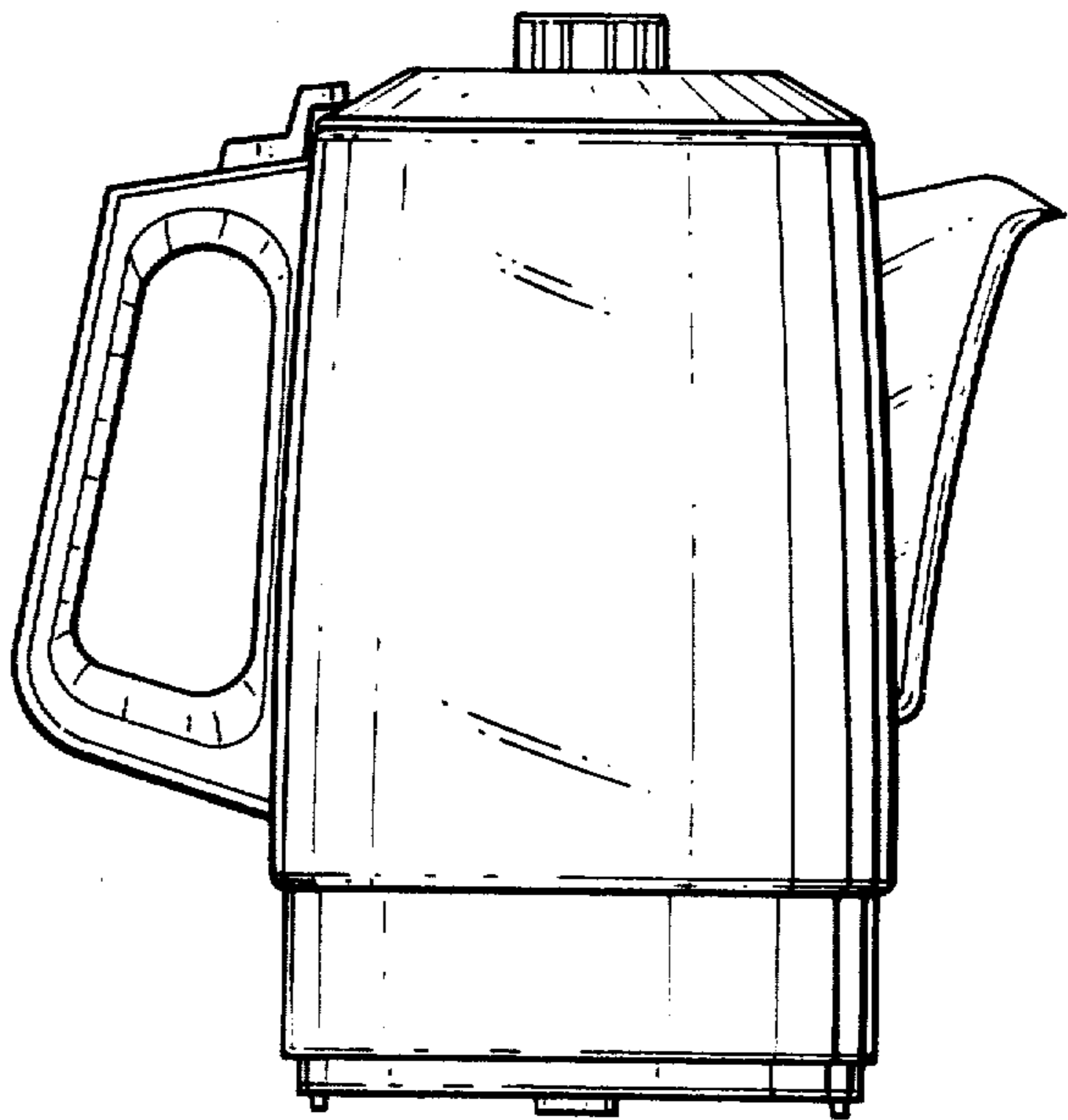
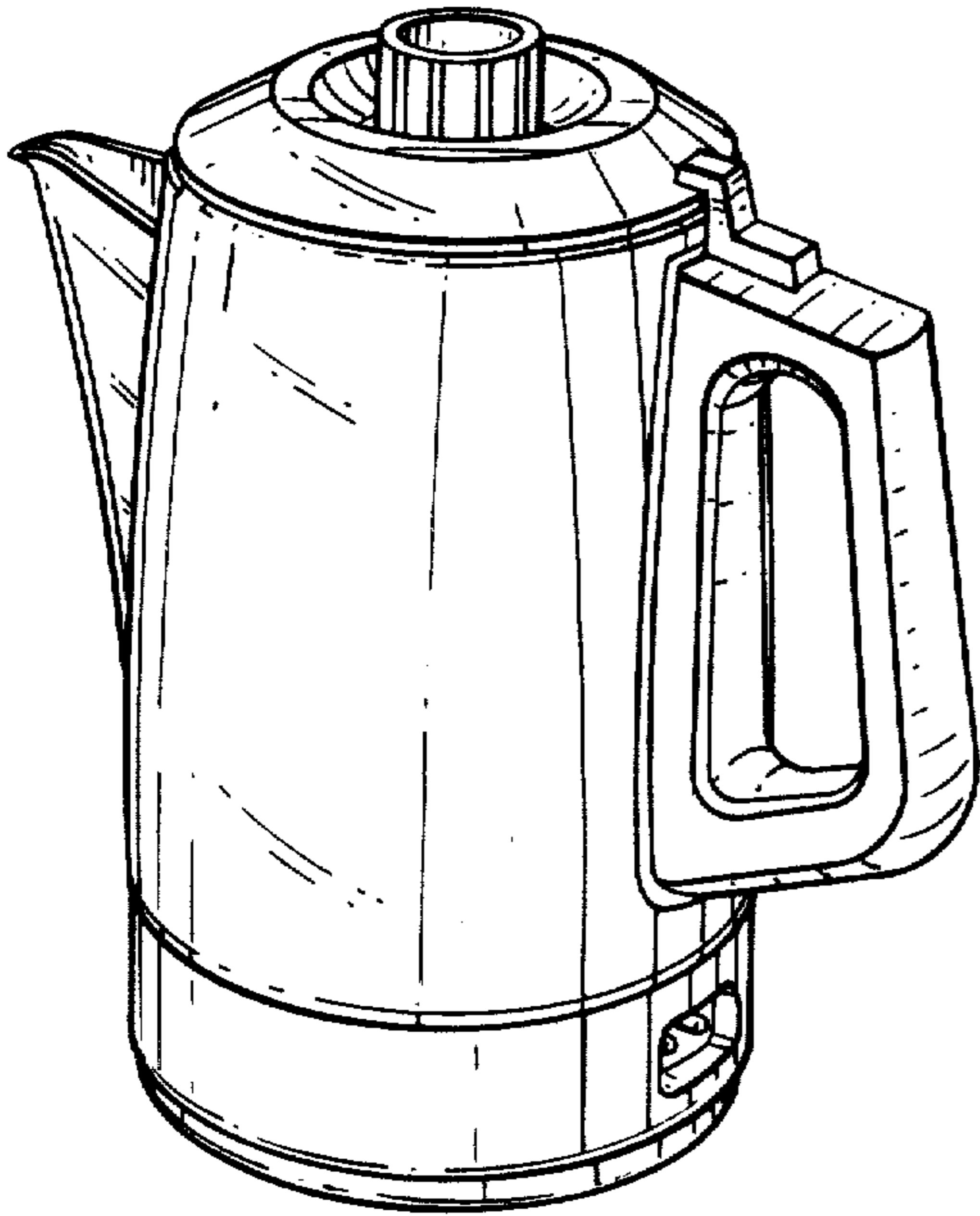
*Primary Examiner*—Winifred E. Herrmann

[57] CLAIM

The ornamental design for a percolator, substantially as shown.

DESCRIPTION

FIG. 1 is a perspective view of a percolator showing my new design;  
 FIG. 2 is a side elevational view;  
 FIG. 3 is a front end elevational view;  
 FIG. 4 is a back end elevational view;  
 FIG. 5 is a top plan view; and,  
 FIG. 6 is a bottom plan view.



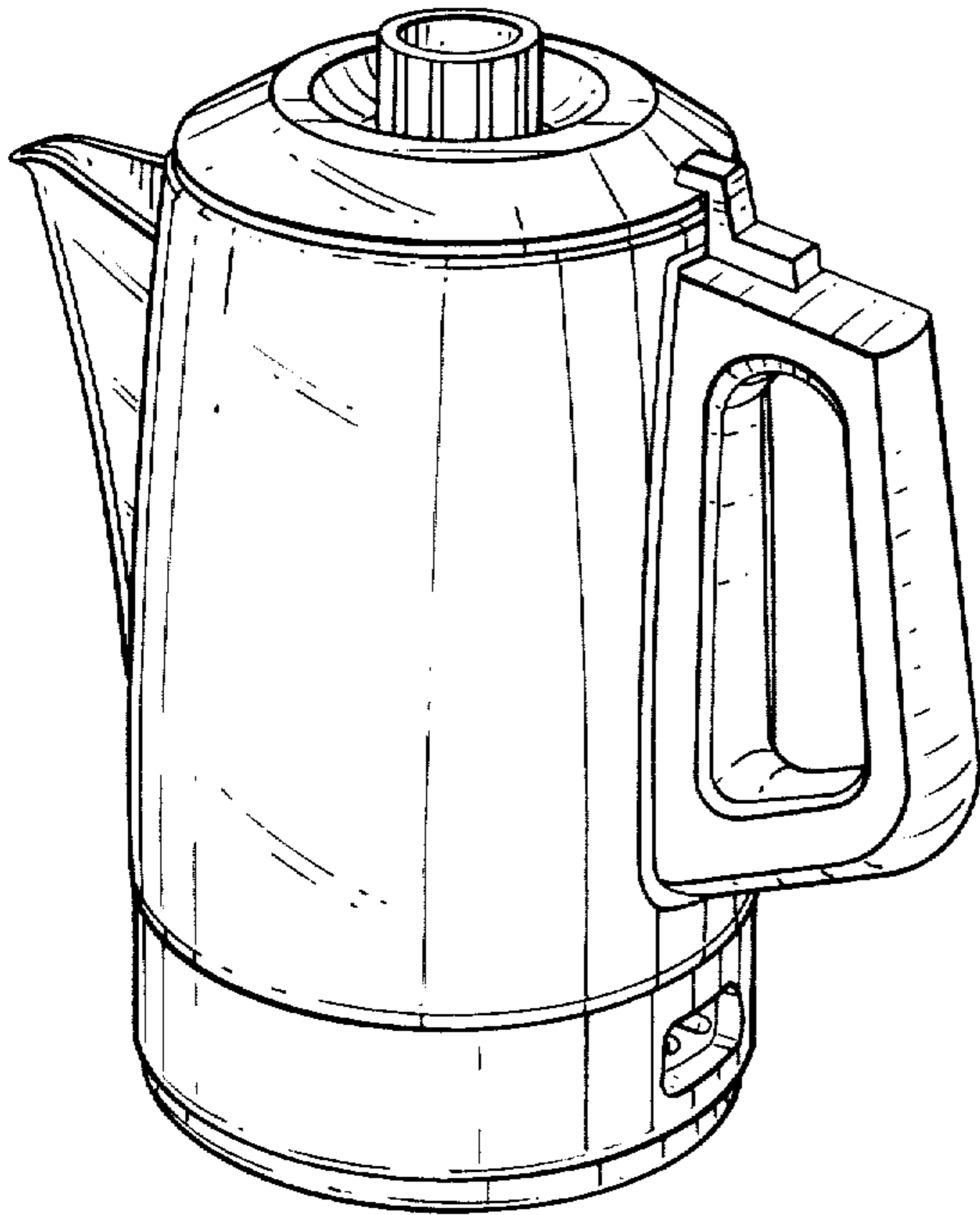


FIG. 1

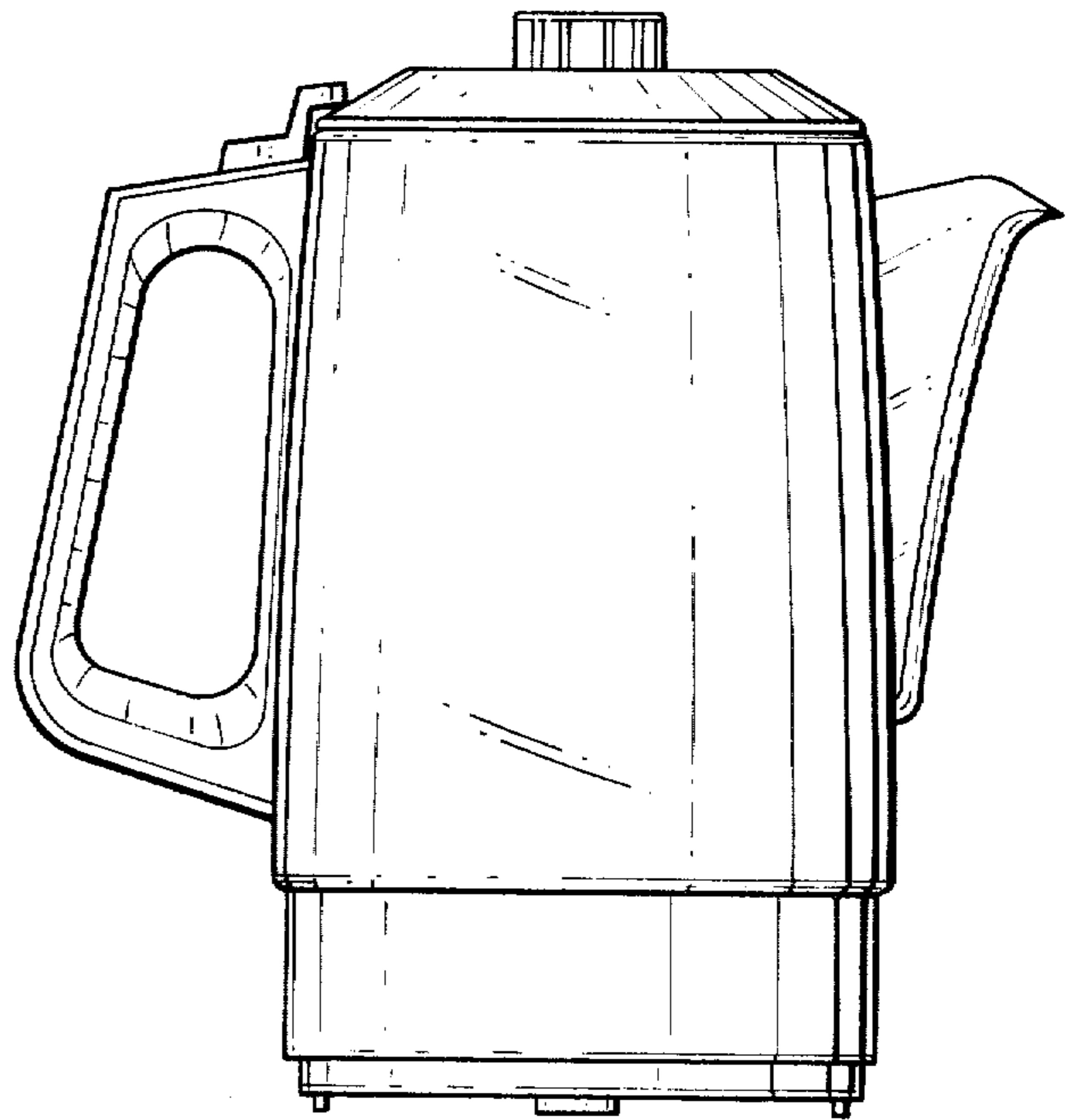


FIG. 2

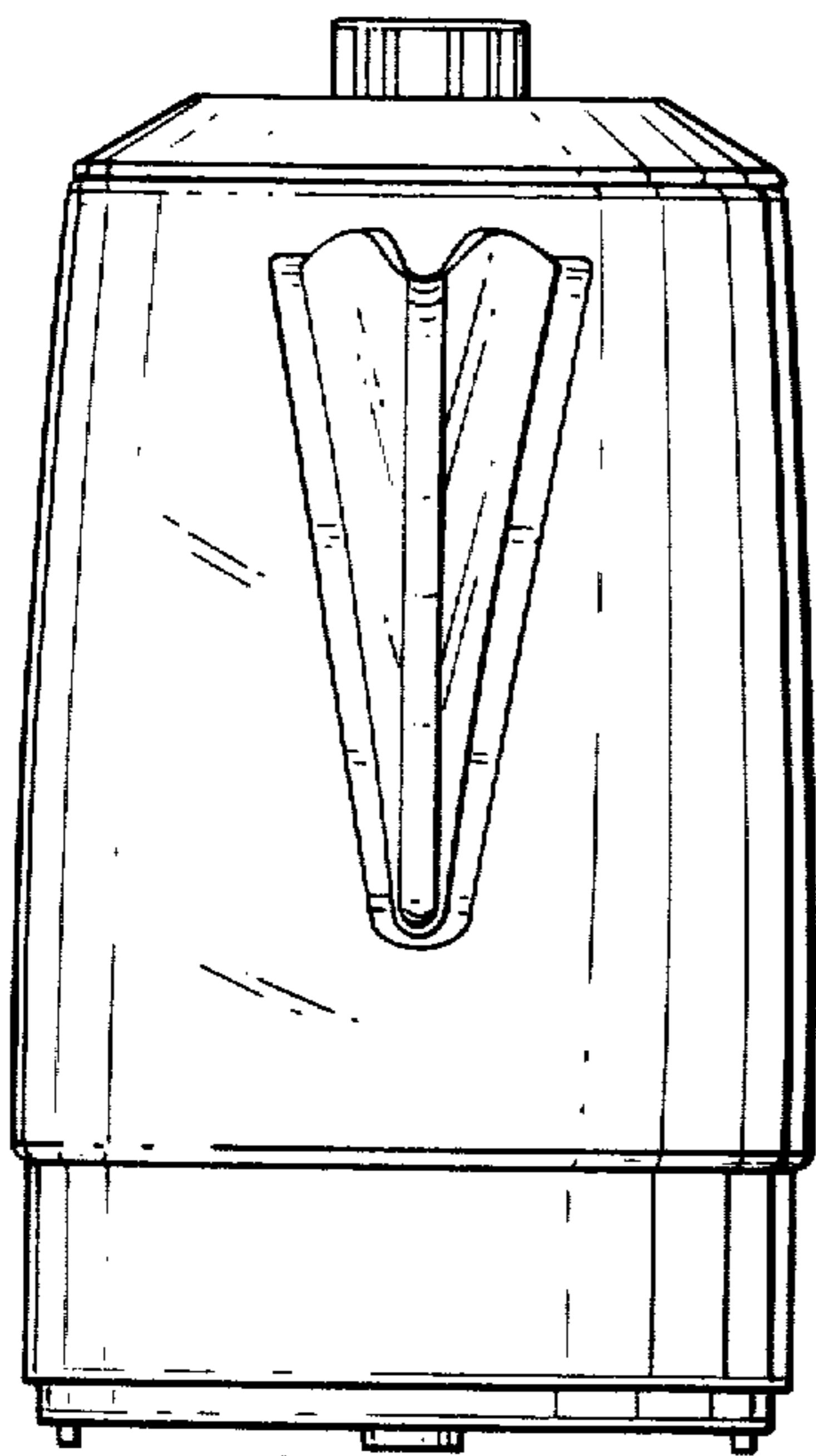


FIG. 3

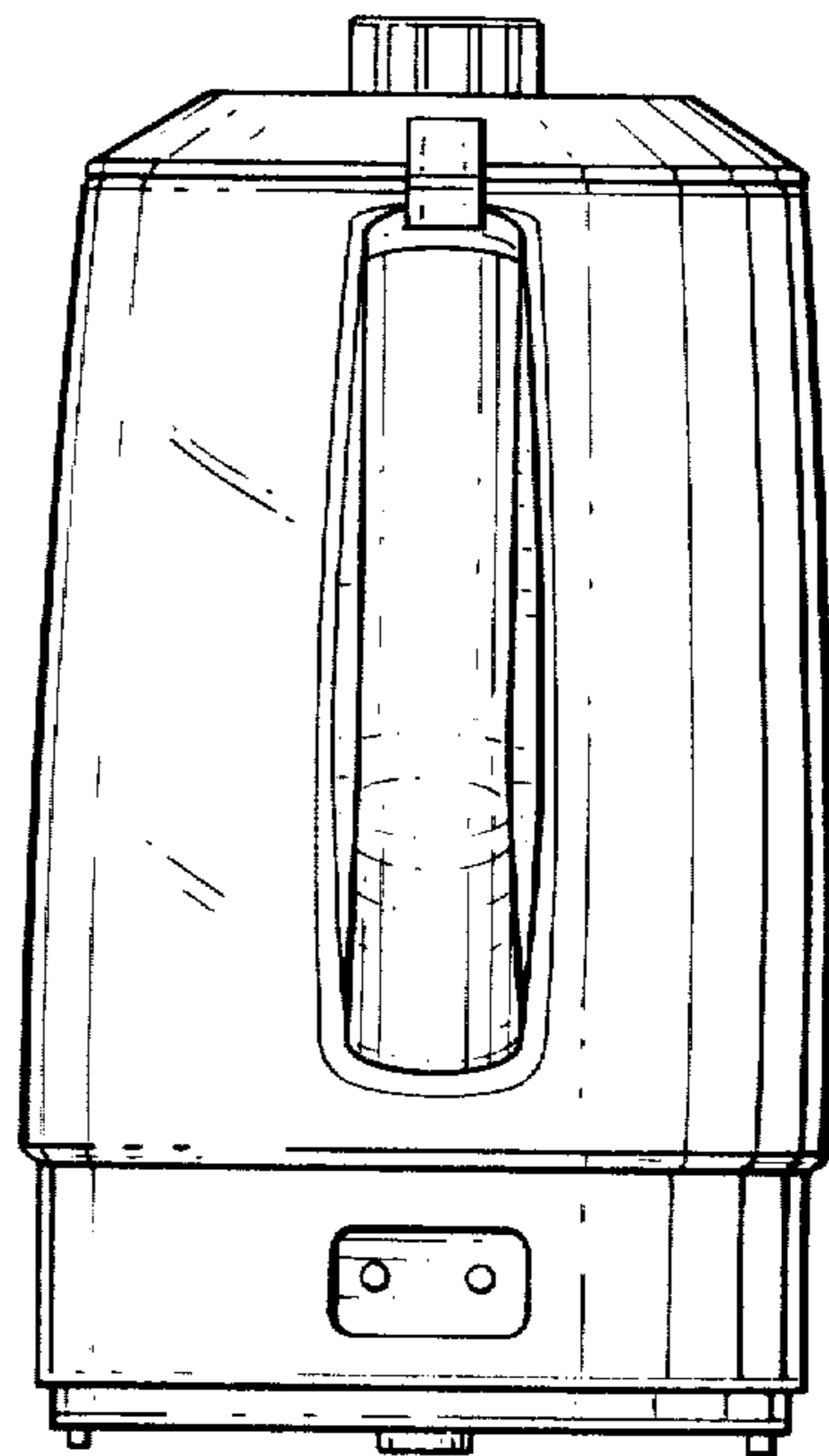


FIG. 4

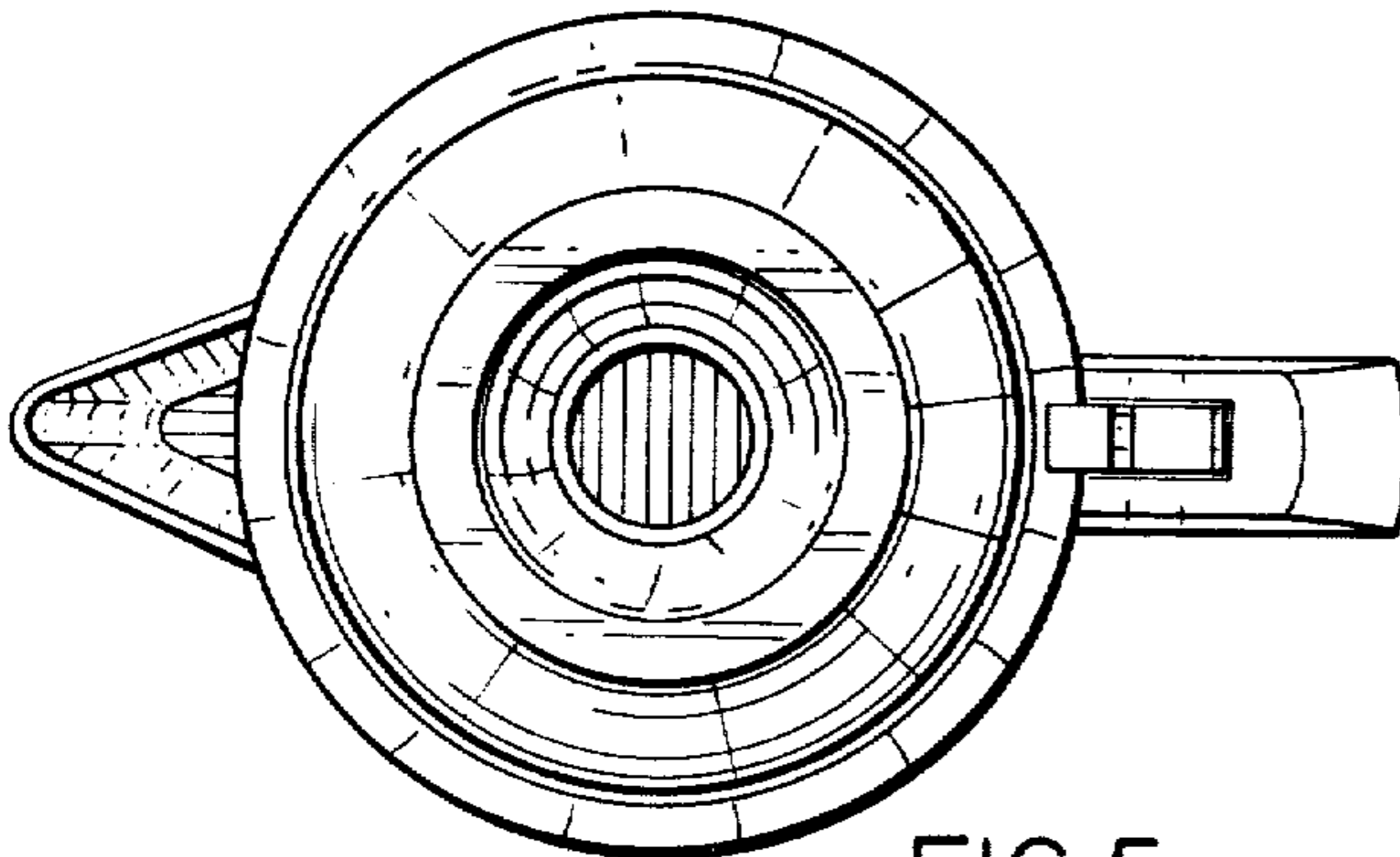


FIG. 5

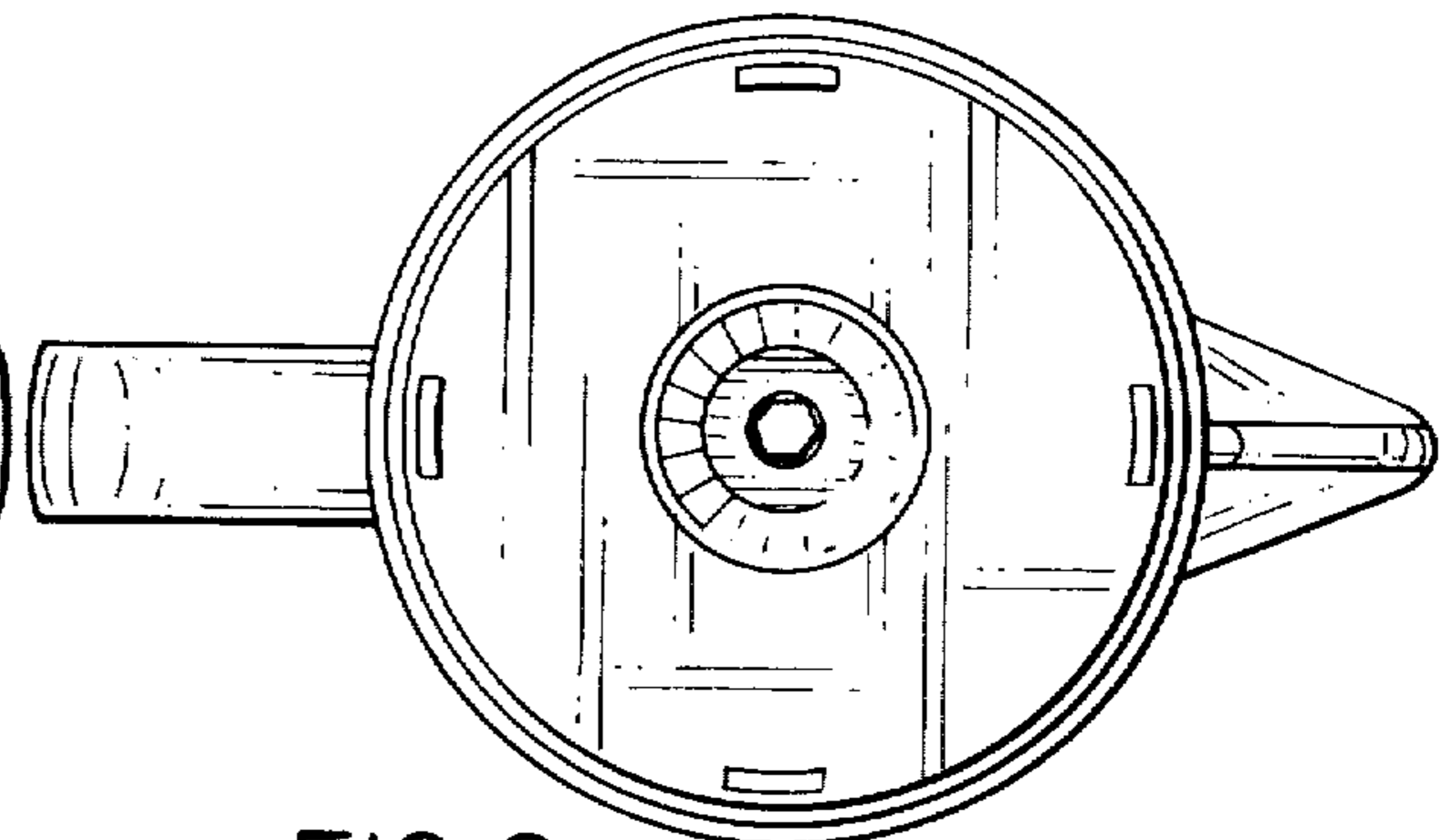


FIG. 6