

[54] **MOLD FOR FORMING FROZEN FOOD PRODUCT**

[76] Inventor: **Paul Straubinger, 21-33 28th St., Astoria, N.Y. 11105**

[**] Term: **14 Years**

[21] Appl. No.: **143,312**

[22] Filed: **Apr. 24, 1980**

[51] Int. Cl. **D07—04**

[52] U.S. Cl. **D7/43**

[58] Field of Search **D1/22, 21; D7/43, 41; 249/92, 121**

[56] **References Cited**

U.S. PATENT DOCUMENTS

D. 188,386 7/1960 Hulterstrum et al. **D7/43**

D. 188,992 10/1960 Morrison **D7/43**
 2,032,483 3/1936 Isenberg **D7/43 X**
 2,946,207 7/1960 Hulterstrum **D7/43 X**
 4,239,175 12/1980 Straubinger **249/92**

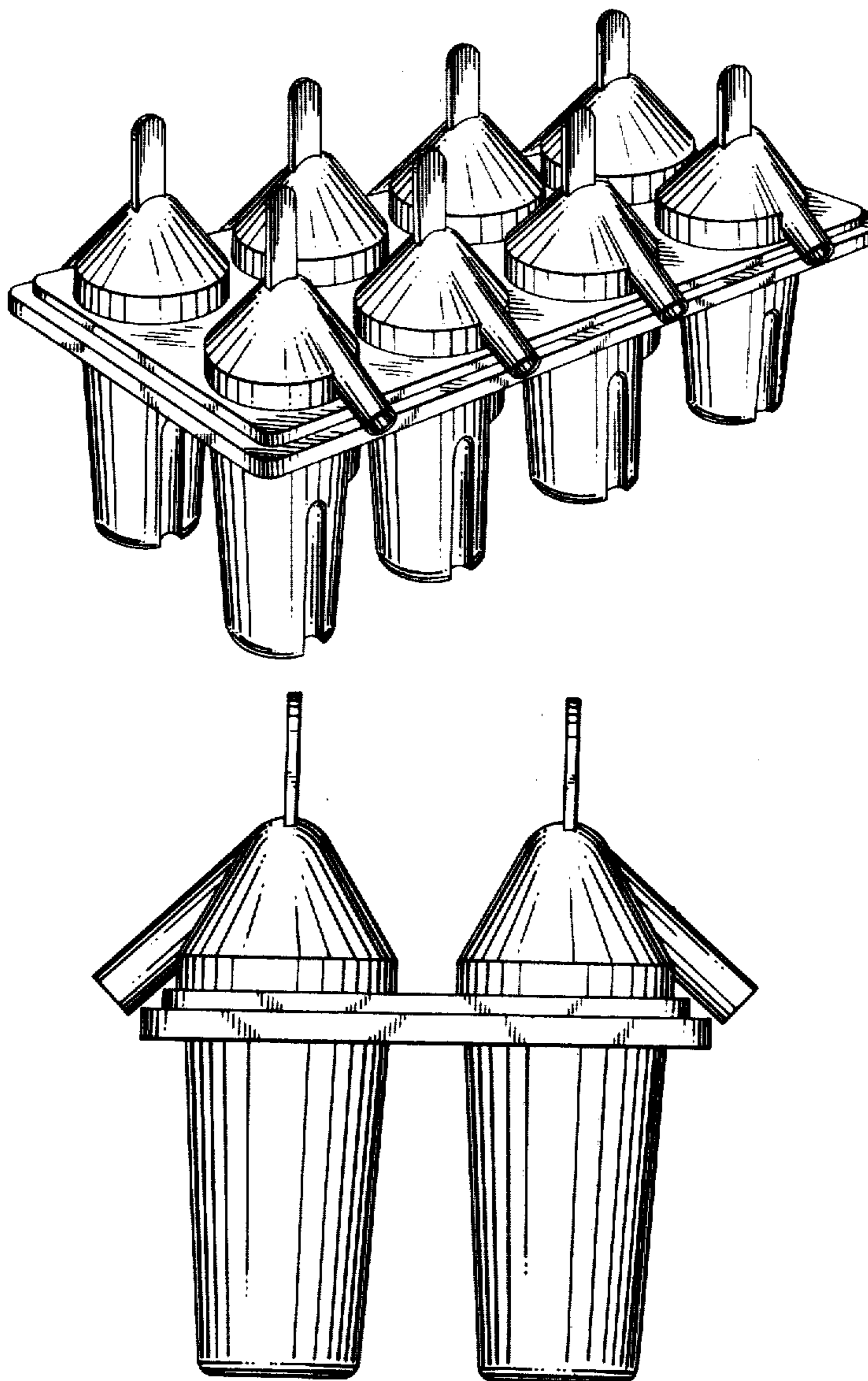
Primary Examiner—Winifred E. Herrmann
Attorney, Agent, or Firm—Gerard F. Dunne

[57] **CLAIM**

The ornamental design for a mold for forming frozen food product, as shown and described.

DESCRIPTION

FIG. 1 is a top perspective view of a mold for forming frozen food product showing my new design; FIG. 2 is a front or rear side elevational view thereof; FIG. 3 is a left or right end elevational view thereof; and FIG. 4 is a bottom plan view thereof.



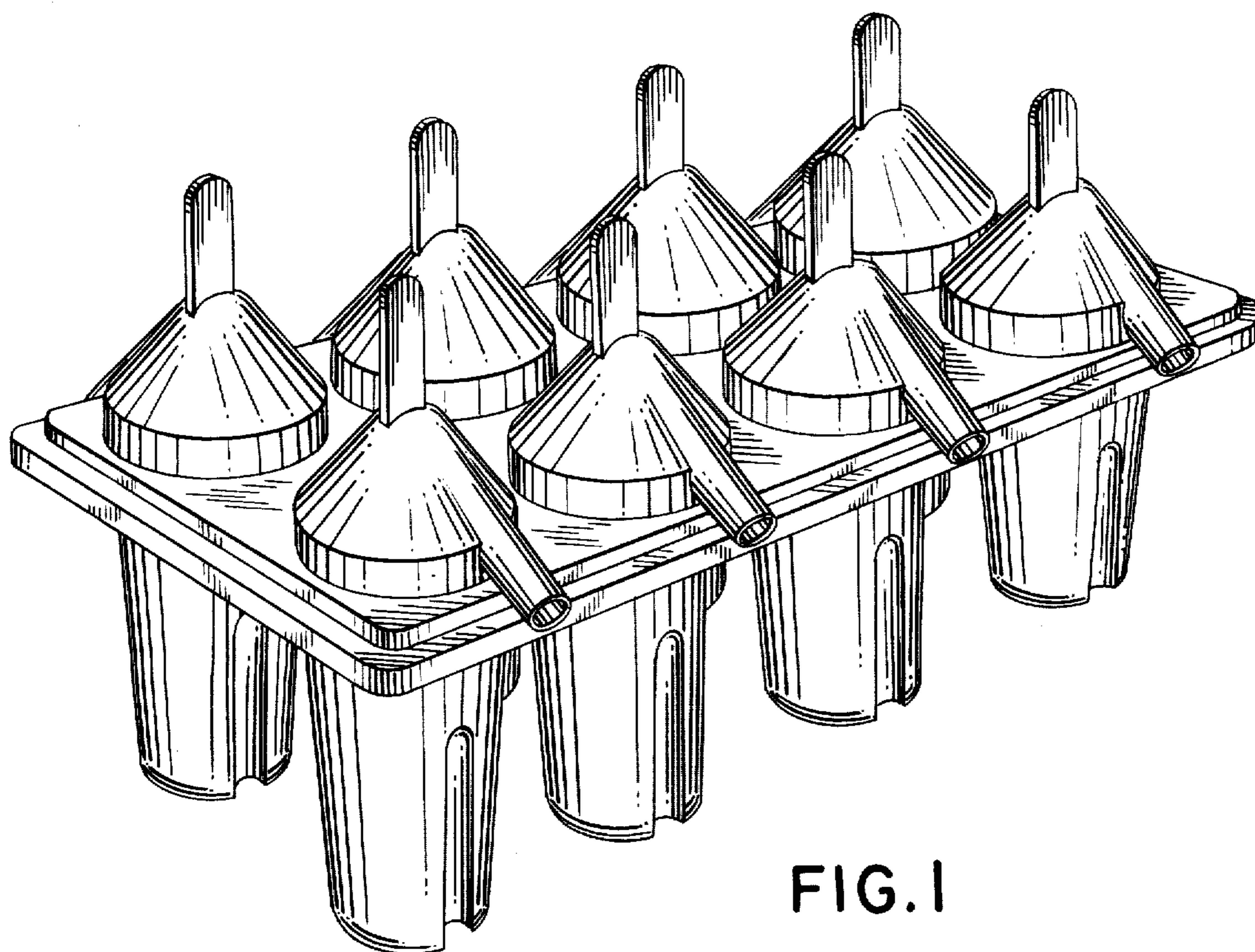


FIG. 1

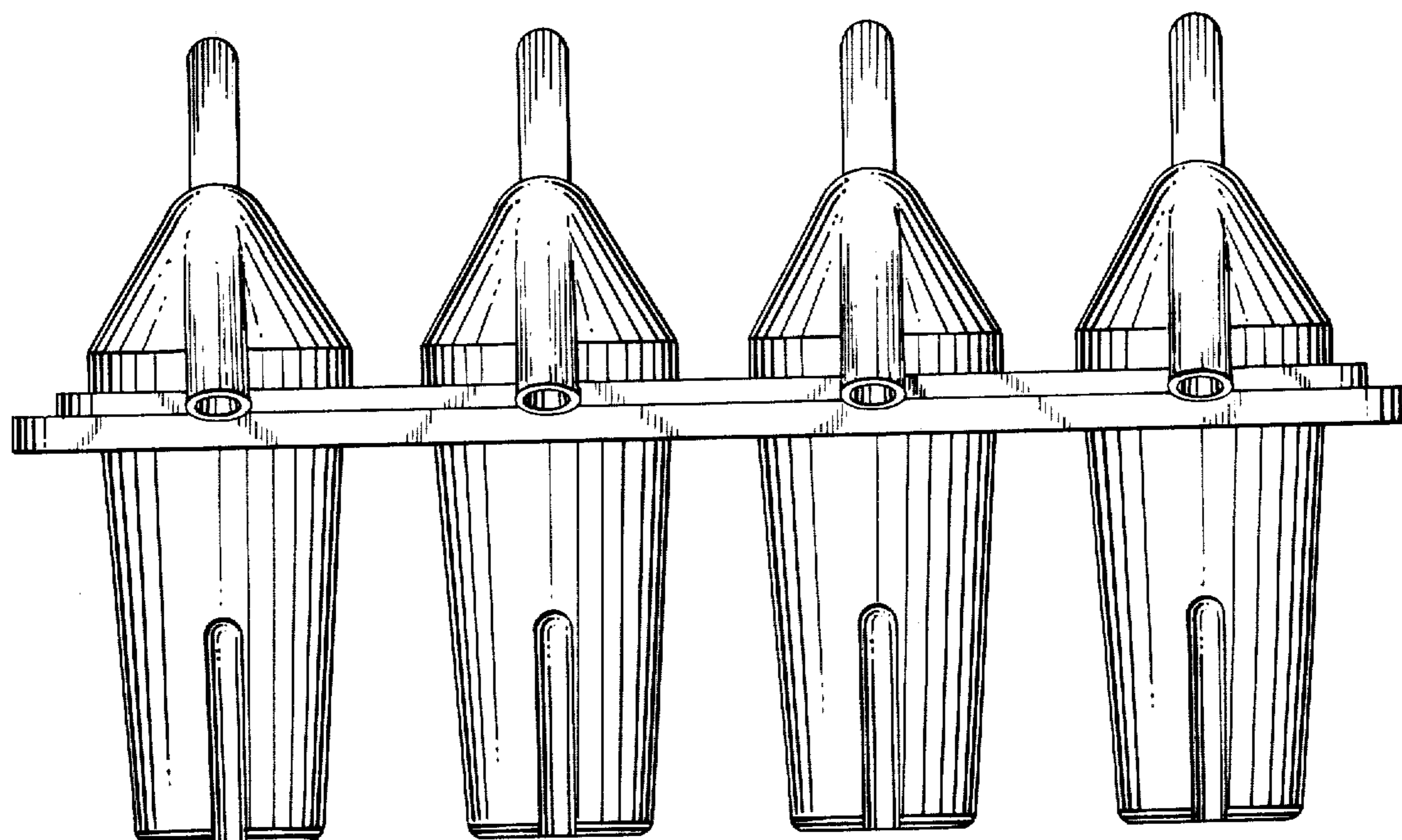


FIG. 2

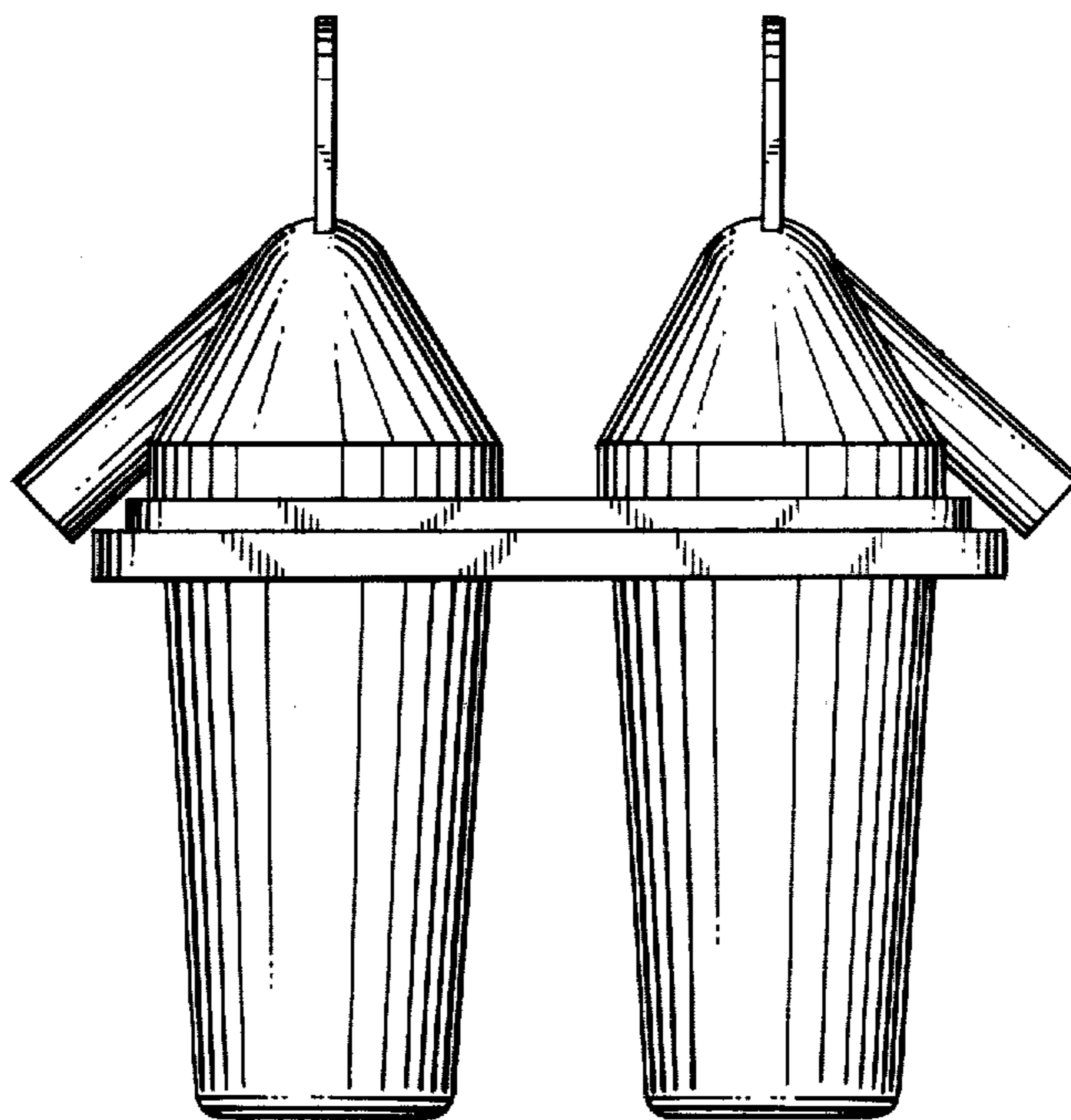


FIG. 3

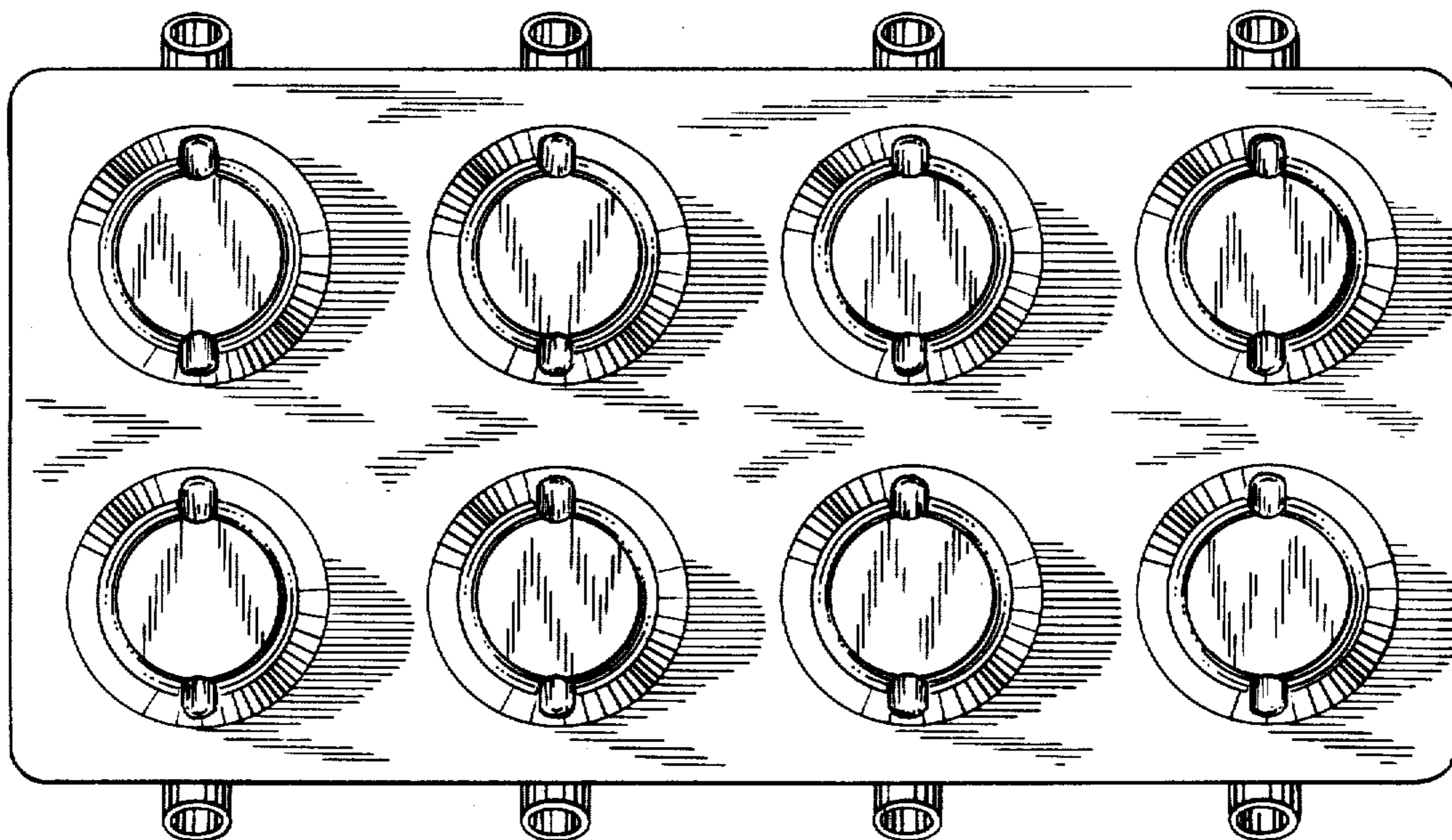


FIG. 4