

[54] COMBINED CHRISTMAS TREE STAND AND CONTAINER THEREFOR

[76] Inventor: Herbert W. Geshwind, 11408 N. 30th Ave., Phoenix, Ariz. 85029

[**] Term: 14 Years

[21] Appl. No.: 325,092

[22] Filed: Nov. 25, 1981

[51] Int. Cl. D6-99

[52] U.S. Cl. D6/105

[58] Field of Search D6/105; 47/40.5; 248/511, 519, 523-529

[56] References Cited

U.S. PATENT DOCUMENTS

- 2,532,931 12/1950 Miller 47/40.5
- 2,748,516 6/1956 McCluskey 47/40.5

- 3,298,642 1/1967 Taylor 248/523
- 3,526,379 9/1970 Schwaderlapp 47/40.5
- 4,034,505 7/1977 Lydall 248/527
- 4,076,205 2/1978 Almer 248/524

Primary Examiner—B. J. Bullock

Attorney, Agent, or Firm—Drummond, Nelson & Nissle

[57] CLAIM

The ornamental design for a combined Christmas tree stand and container therefor, as shown and described.

DESCRIPTION

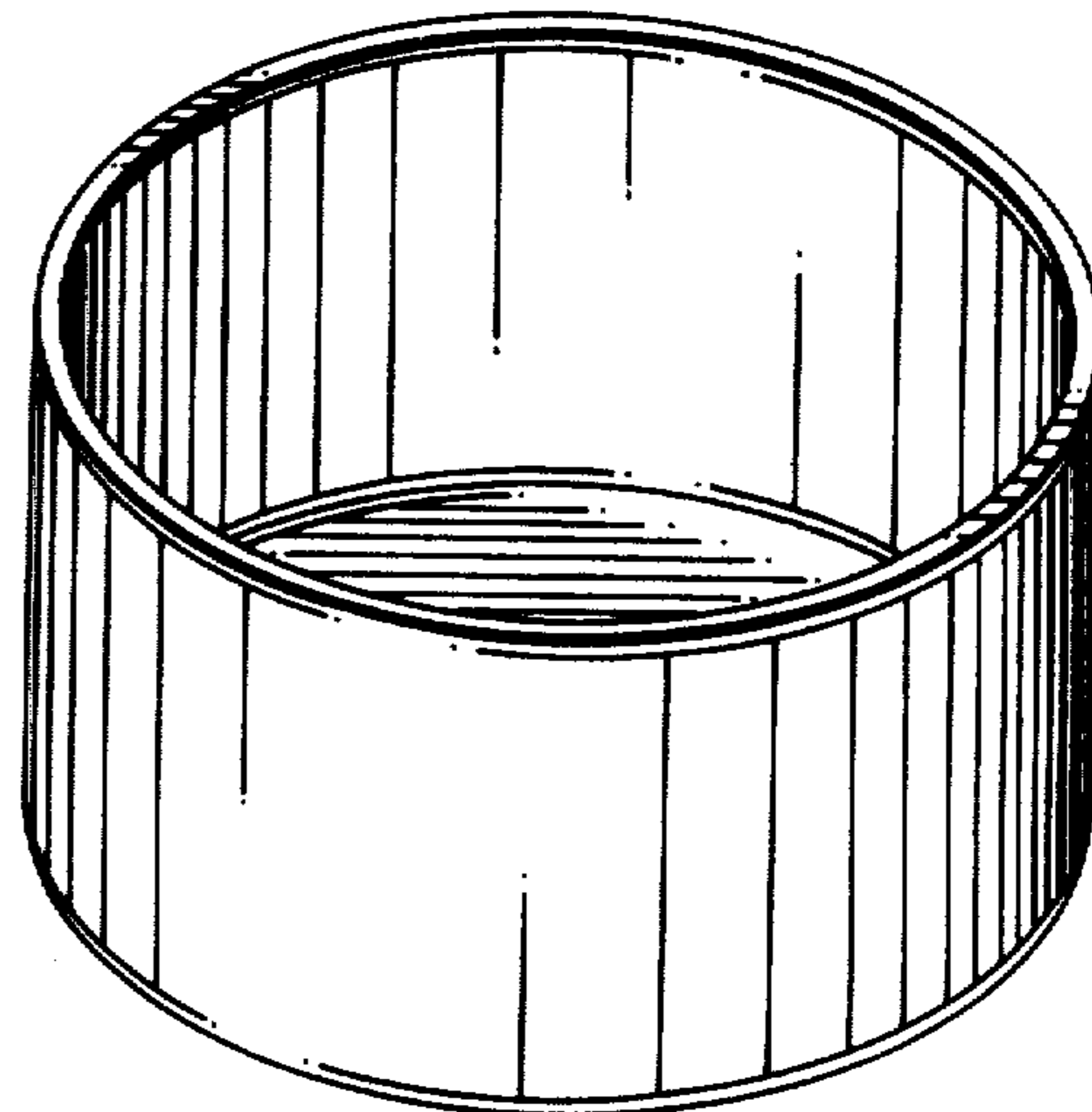
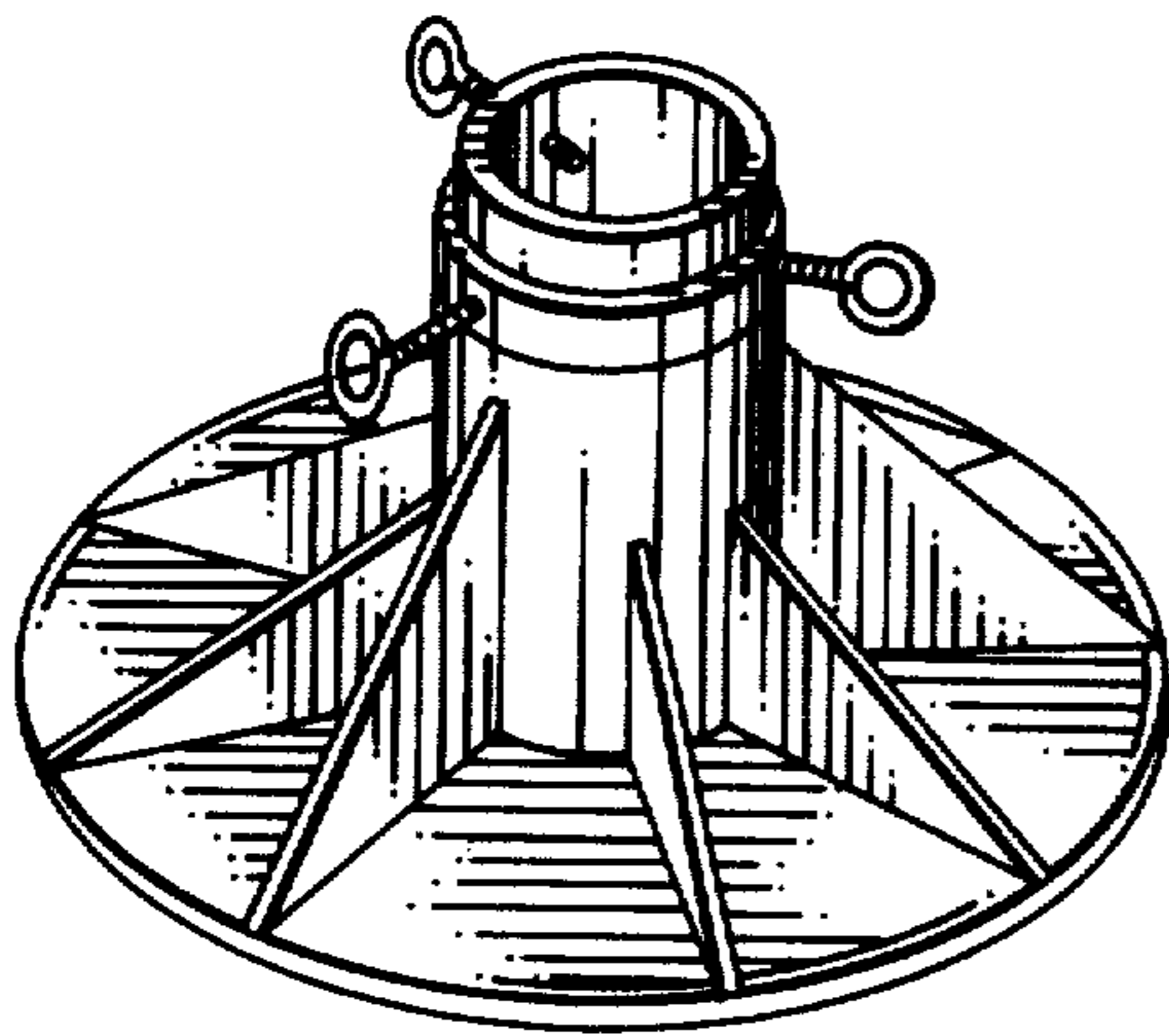
FIG. 1 is a front perspective view of a combined Christmas tree stand and container therefor showing my new design;

FIG. 2 is an inverted bottom perspective view thereof;

FIG. 3 is an exploded perspective view thereof;

FIG. 4 is a top view of the stand of FIG. 3; and

FIG. 5 is a bottom view of the stand of FIG. 3.



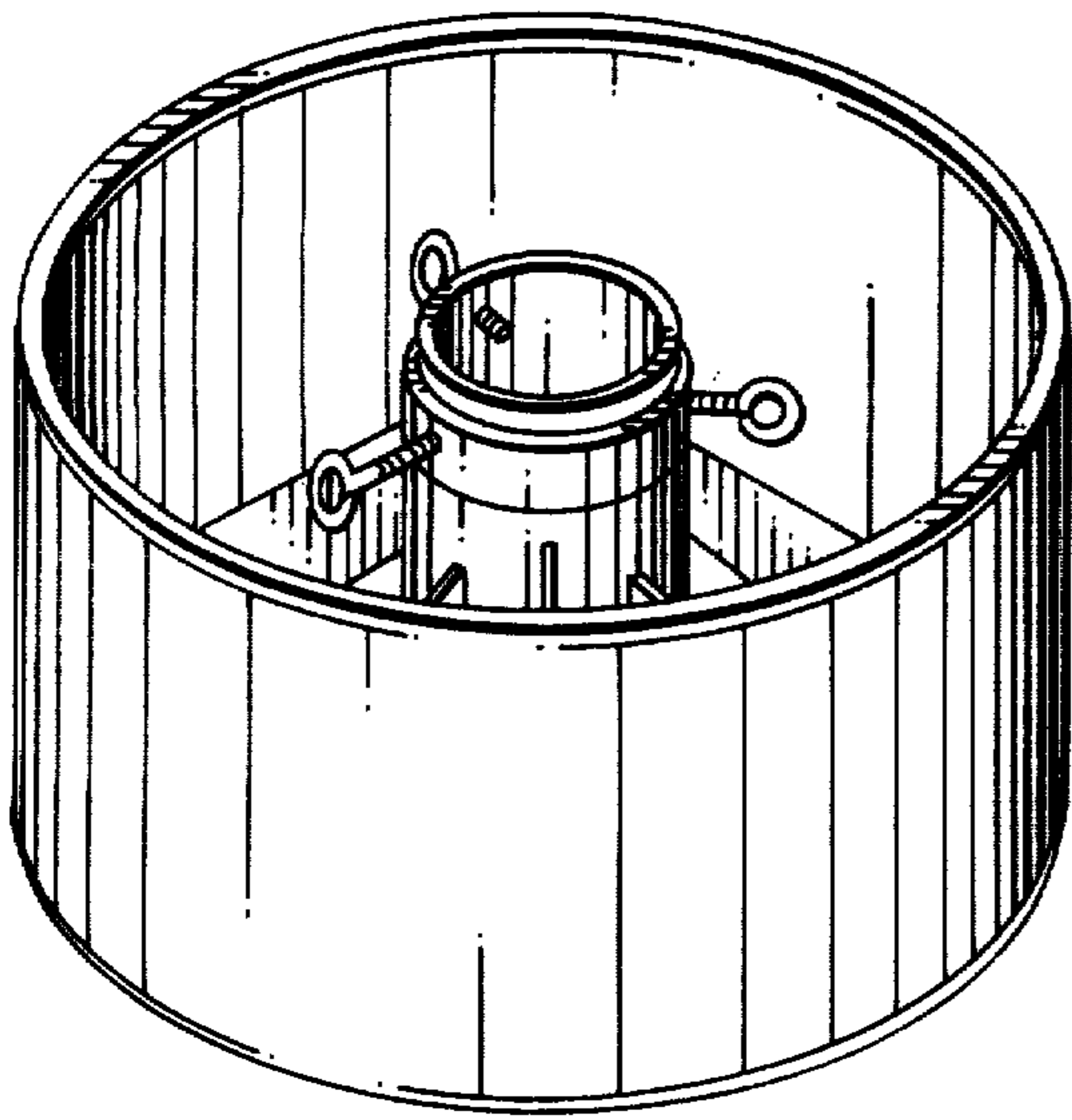


FIG. 1

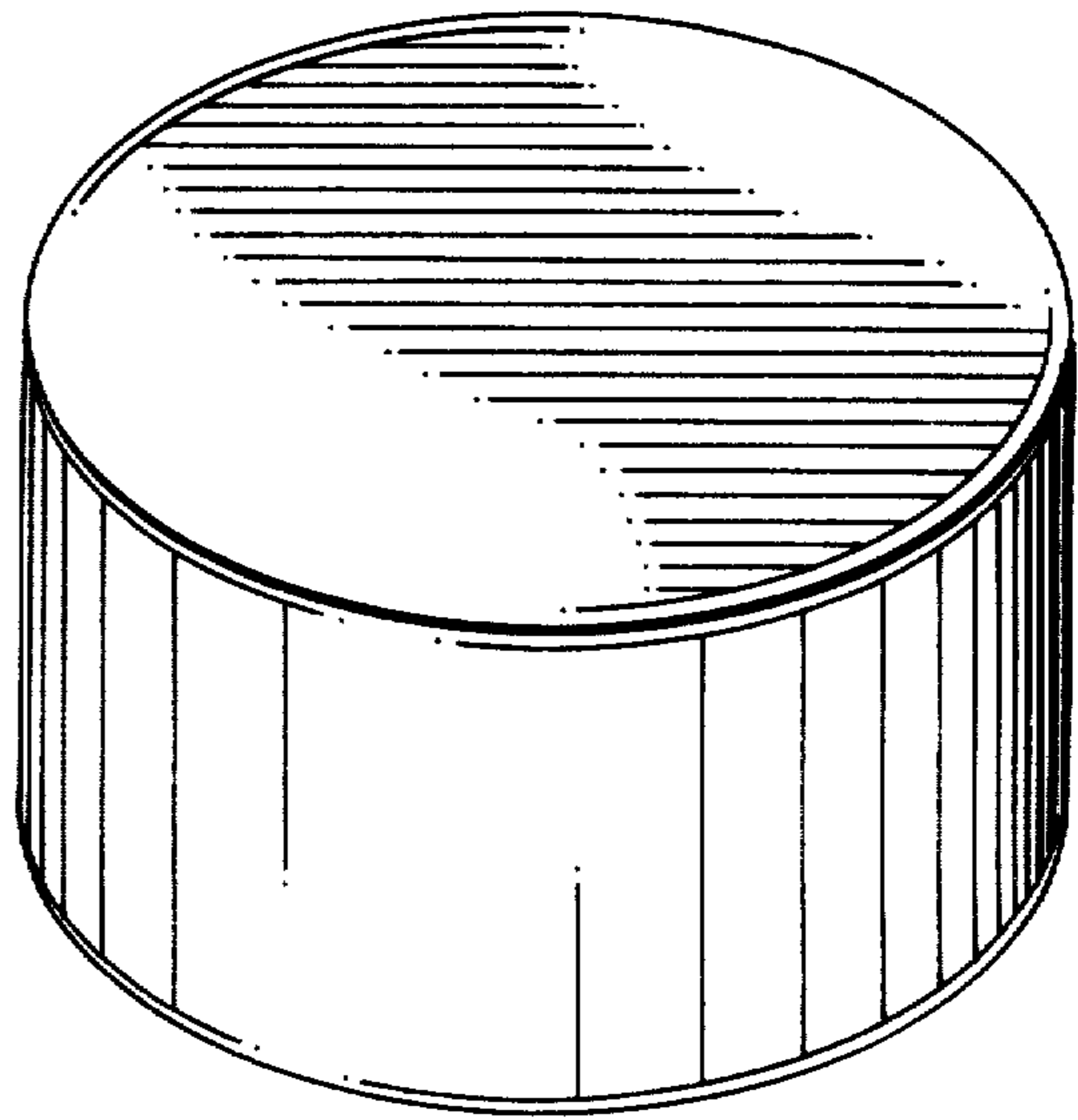


FIG. 2

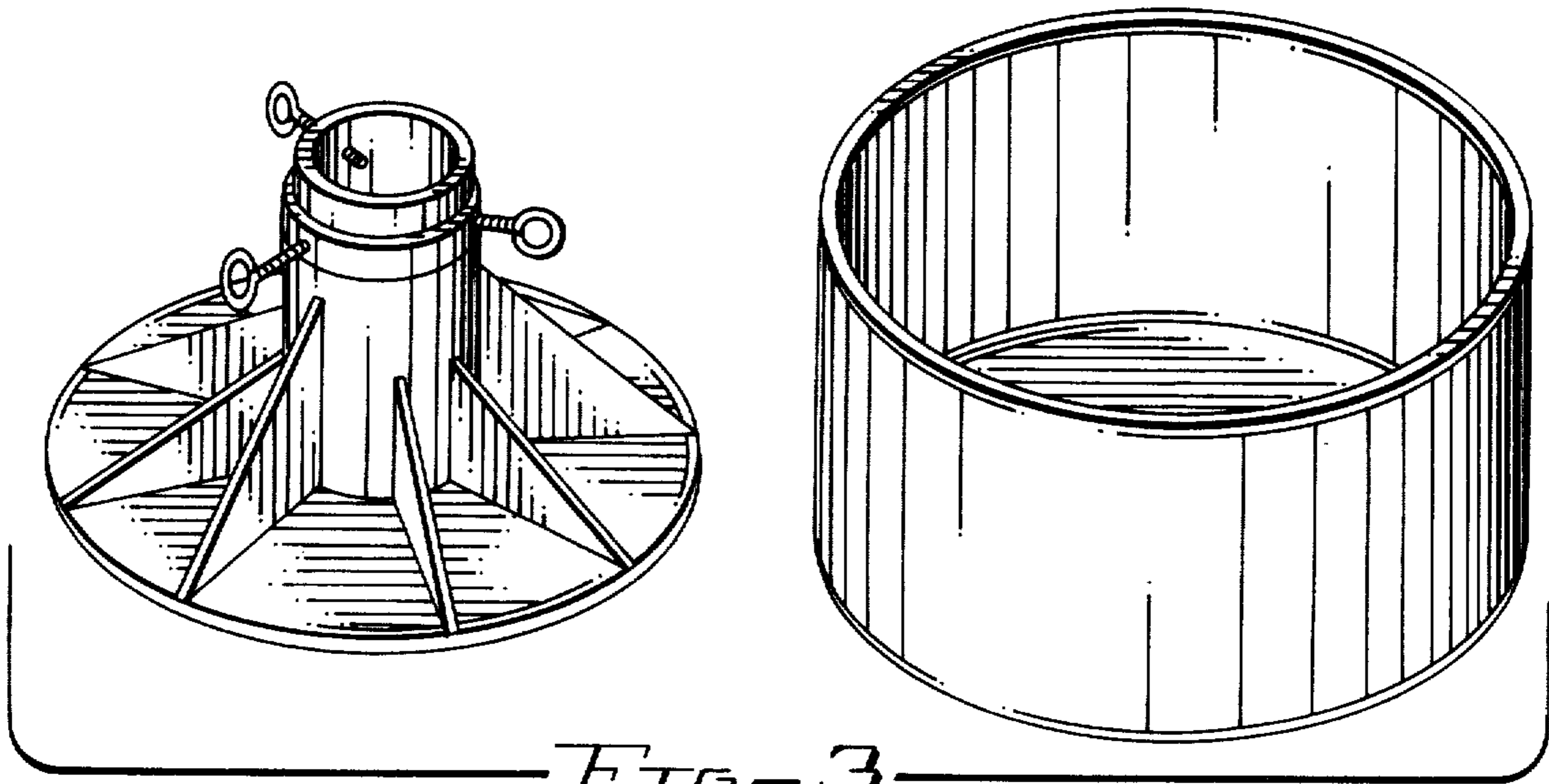


FIG. 3

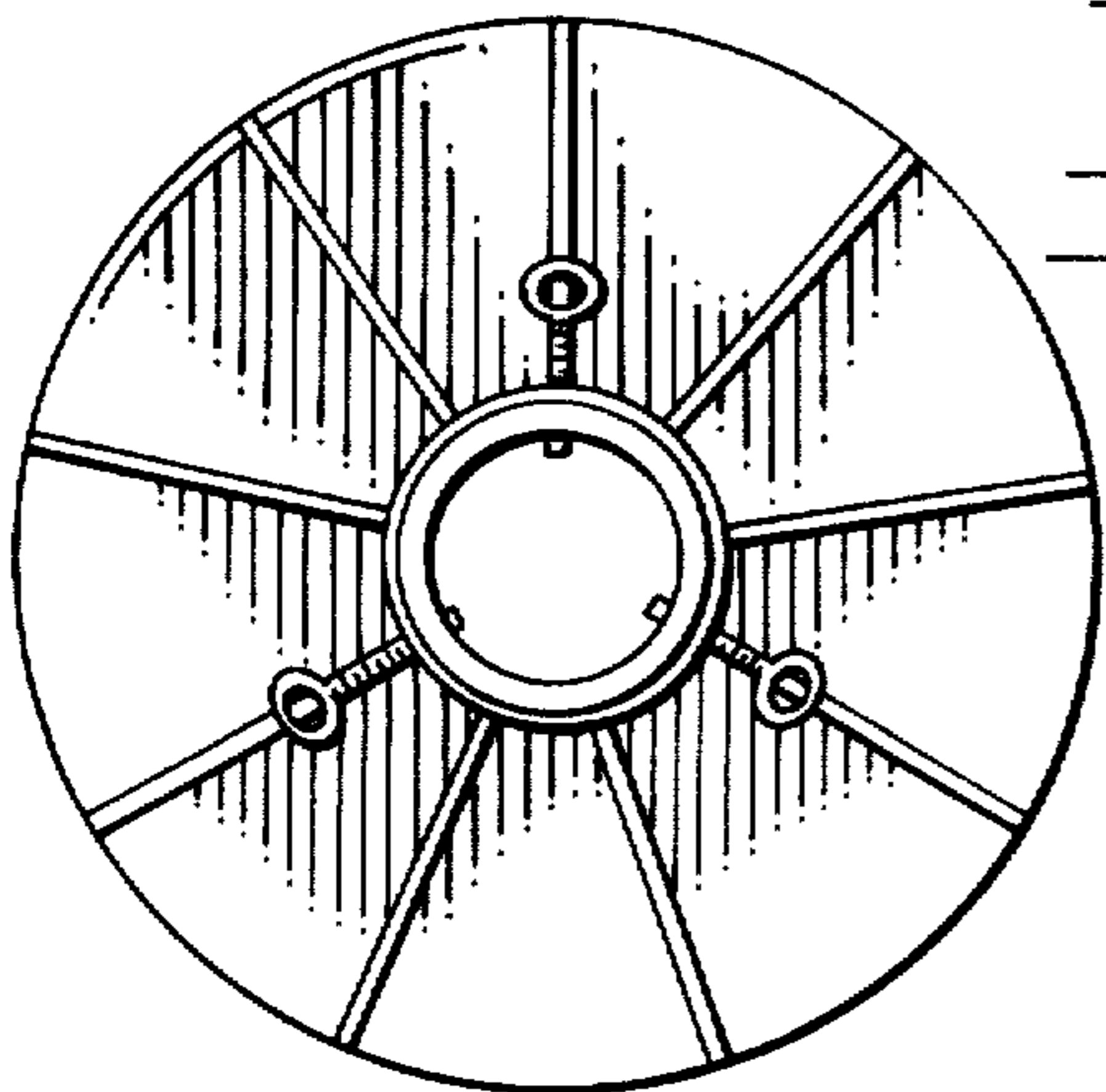


FIG. 4

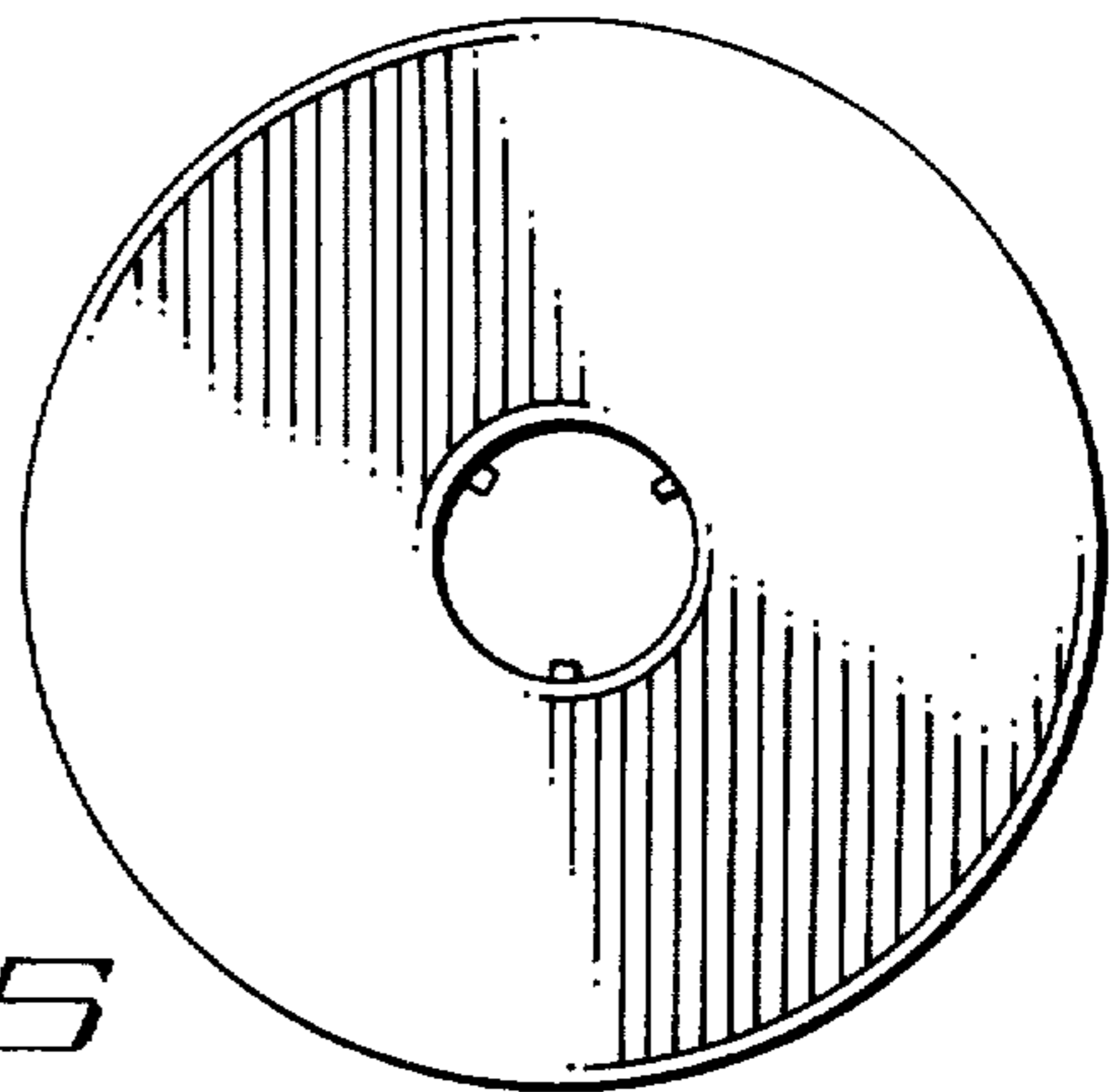


FIG. 5