

[54] **AUXILIARY TOILET PAPER ROLL
HOLDER**

[76] Inventor: **Charles B. O'Keefe**, 2579 N. Miller
Rd., Scottsdale, Ariz. 85257

[**] Term: **14 Years**

[21] Appl. No.: **254,964**

[22] Filed: **Apr. 16, 1981**

Related U.S. Application Data

[62] Division of Ser. No. 84,591, Oct. 15, 1979, Pat. No.
Des. 263,009.

[51] Int. Cl. **D23-02; D6-06**

[52] U.S. Cl. **D6/97; D6/113**

[58] Field of Search **D6/86, 88-94,
D6/96-104, 113, 114; 242/55.2, 55.3, 55.42,
55.53, 55.54; 206/391, 394; 211/87, 106, 119,
181; 248/251, 254, 217**

[56] **References Cited**

U.S. PATENT DOCUMENTS

94,127	8/1869	Oatley	211/181
D. 252,842	9/1979	McKee	D6/113
1,325,472	12/1919	Ide	211/181
1,795,597	3/1931	Frissell	242/55.2
2,872,124	2/1959	Sieven	D6/97
3,297,265	1/1967	Turro	242/55.2
3,373,448	3/1968	Butler	D6/91

Primary Examiner—B. J. Bullock

Attorney, Agent, or Firm—Harry M. Weiss

[57] **CLAIM**

The ornamental design for an auxiliary toilet paper roll holder, as shown.

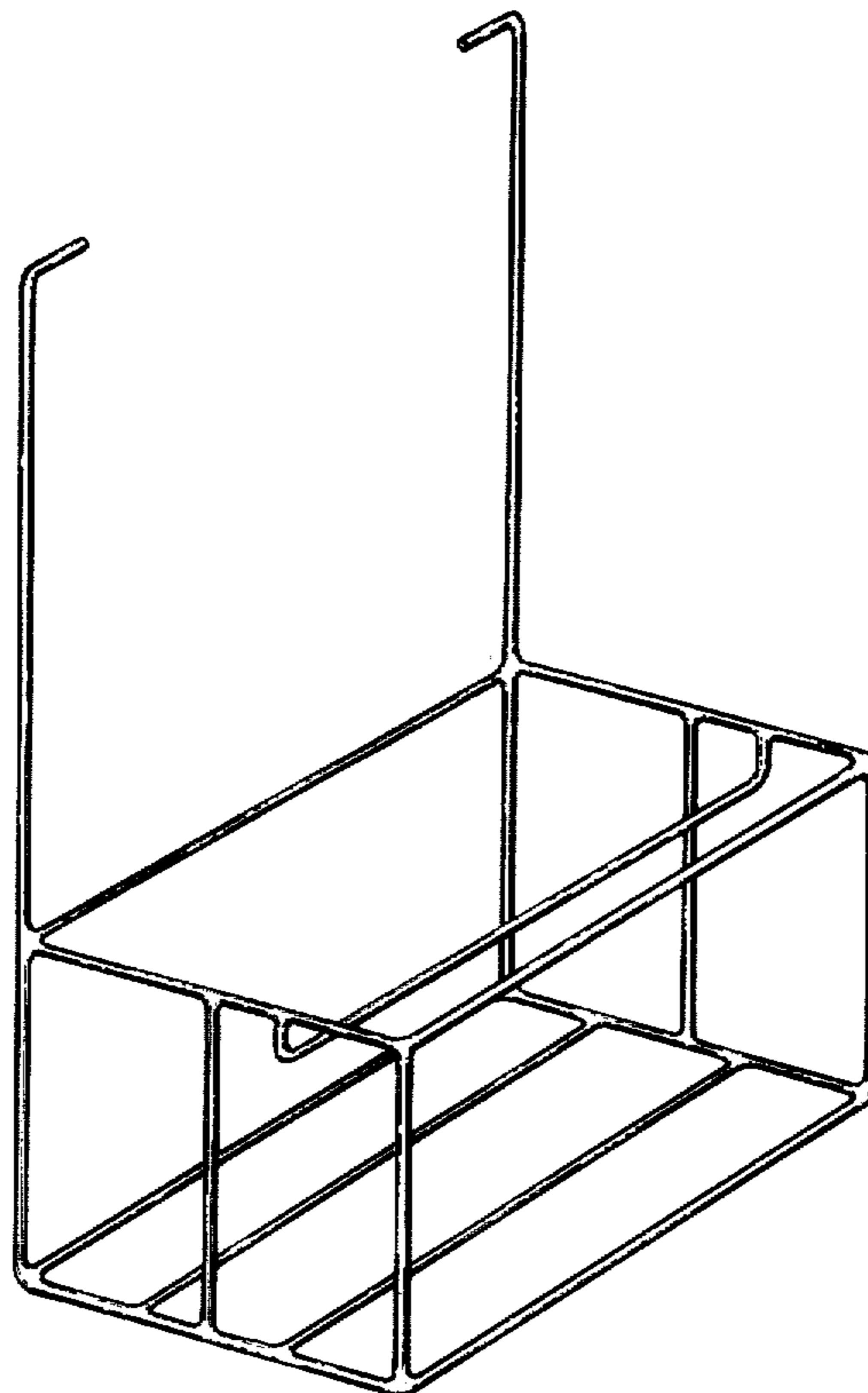
DESCRIPTION

FIG. 1 is an enlarged perspective view of an auxiliary toilet paper roll holder showing my new design;

FIG. 2 is a fragmentary side elevational view taken from the left of FIG. 1;

FIG. 3 is a front elevational view thereof;

FIG. 4 is a rear elevational view thereof.



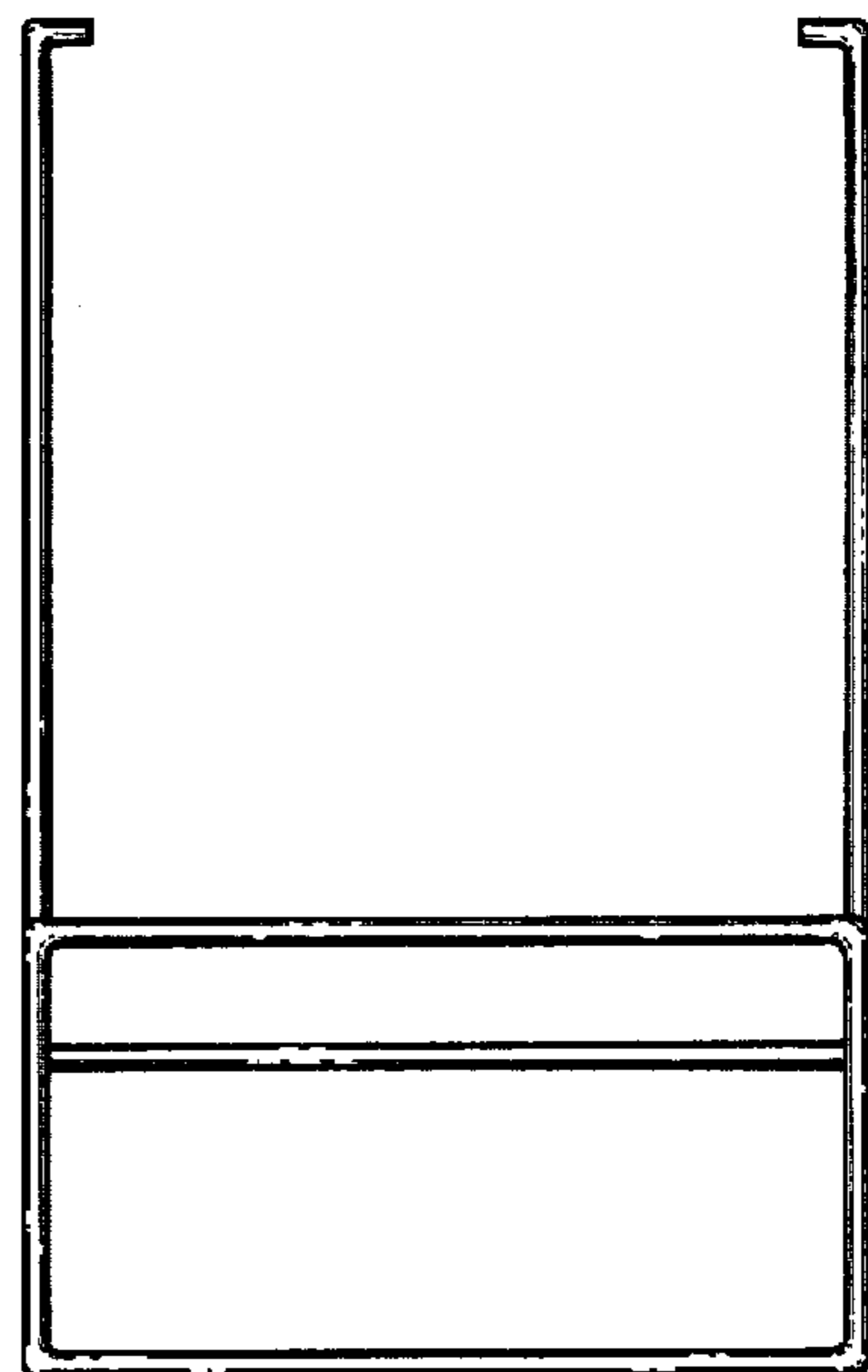
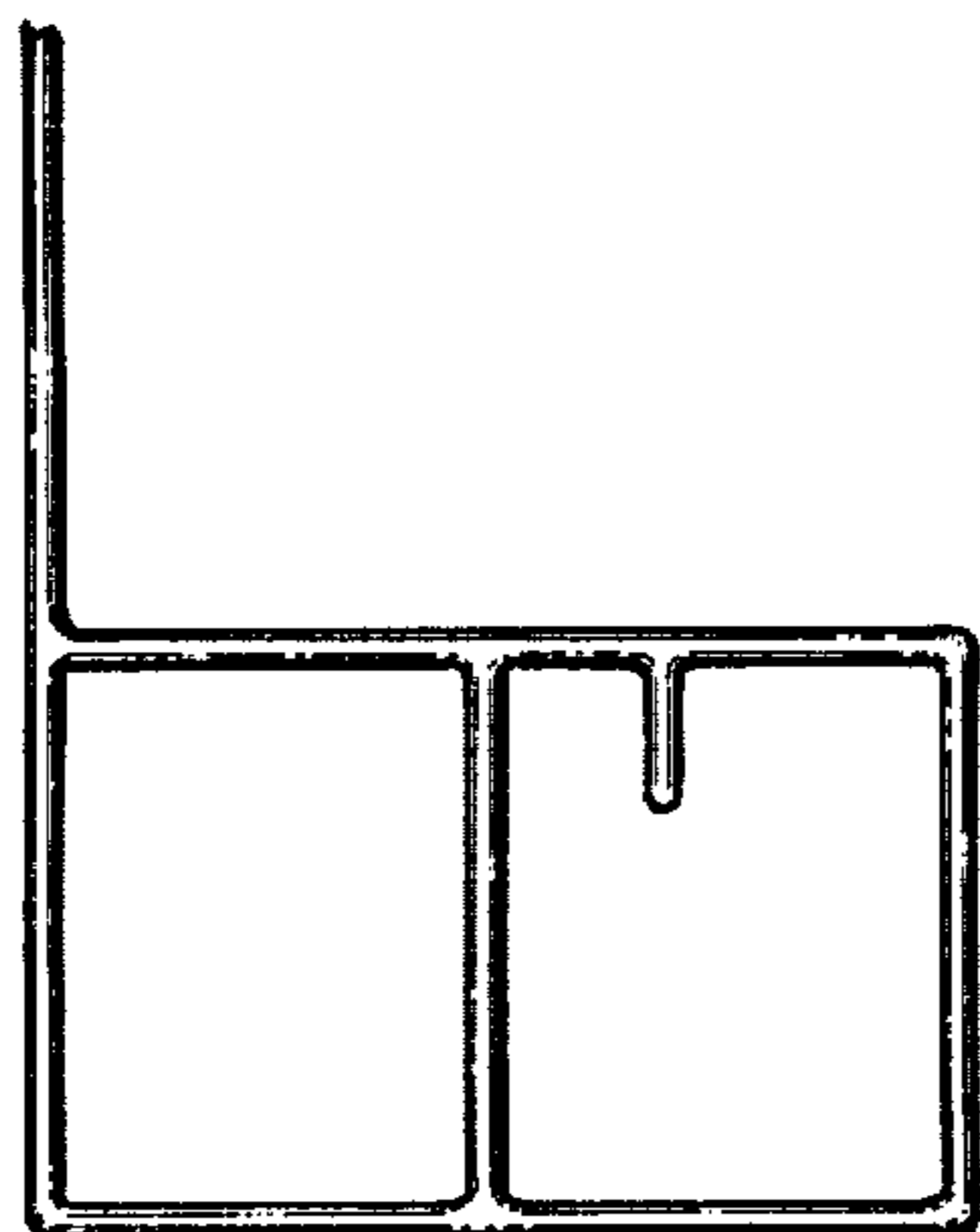
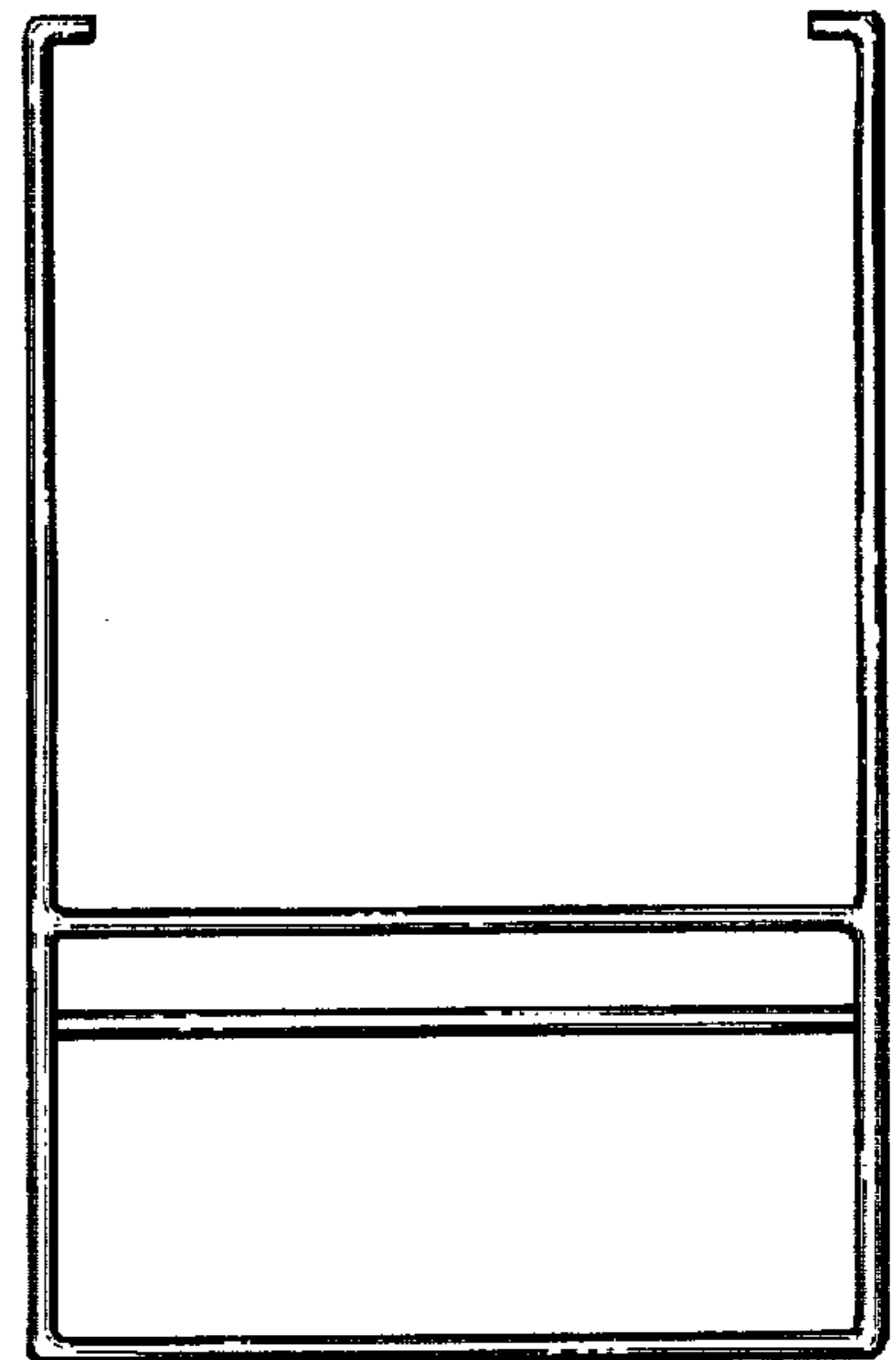
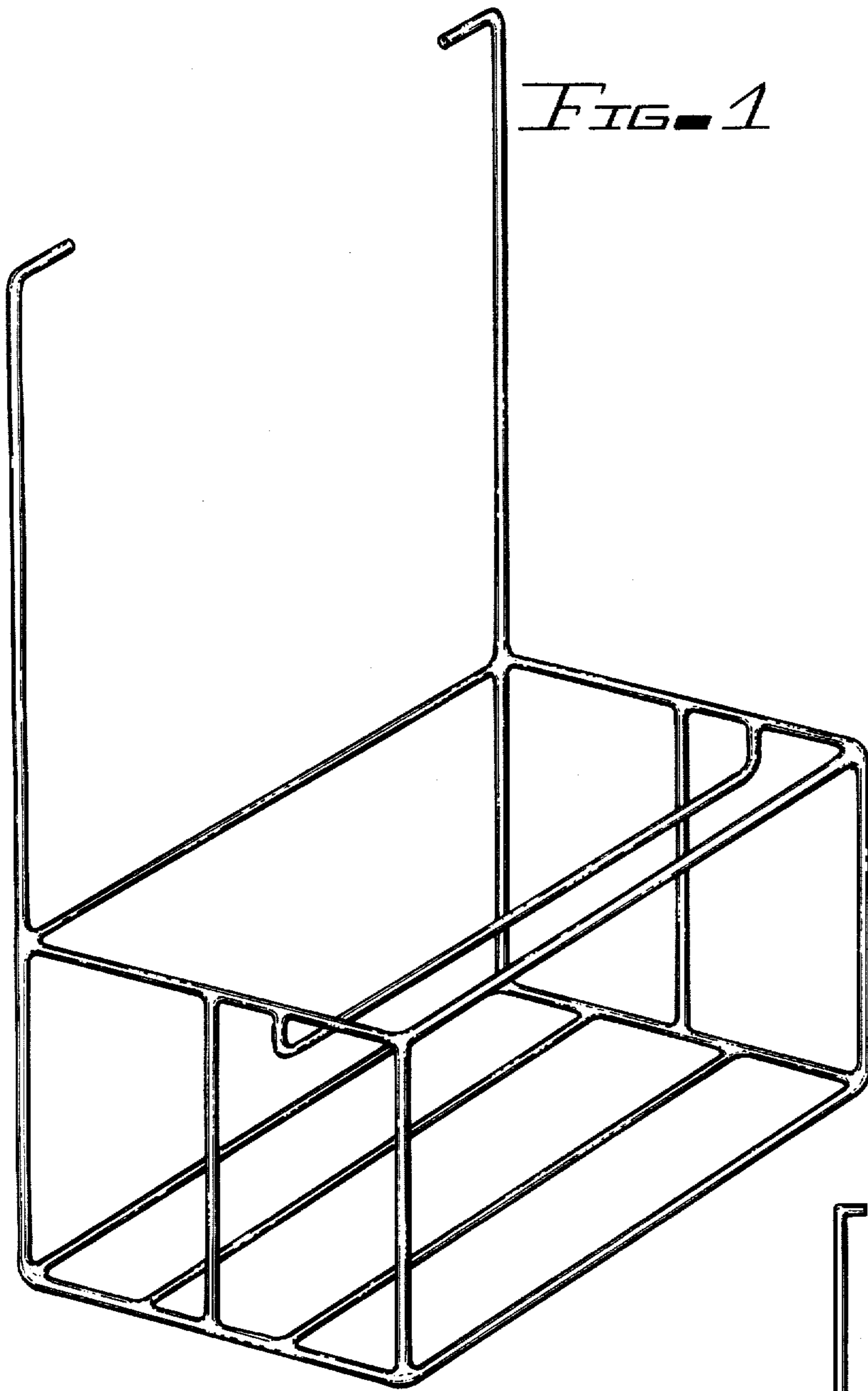


FIG. 2

FIG. 3