

[54] CLEANER MAIN BODY OR THE LIKE

[56]

References Cited

U.S. PATENT DOCUMENTS

[75] Inventor: John D. Essex, North Canton, Ohio

D. 260,900 9/1981 Kao D32/22
D. 262,539 1/1982 Wareham D32/22
3,665,683 5/1972 Schaefer 15/327 R X

[73] Assignee: The Hoover Company, North Canton, Ohio

Primary Examiner—Catherine E. Kemper
Attorney, Agent, or Firm—Gerald H. Kreske;
Richardson B. Farley

[**] Term: 14 Years

[57] CLAIM

[21] Appl. No.: 204,467

The ornamental design for a cleaner main body or the like, as shown and described.

DESCRIPTION

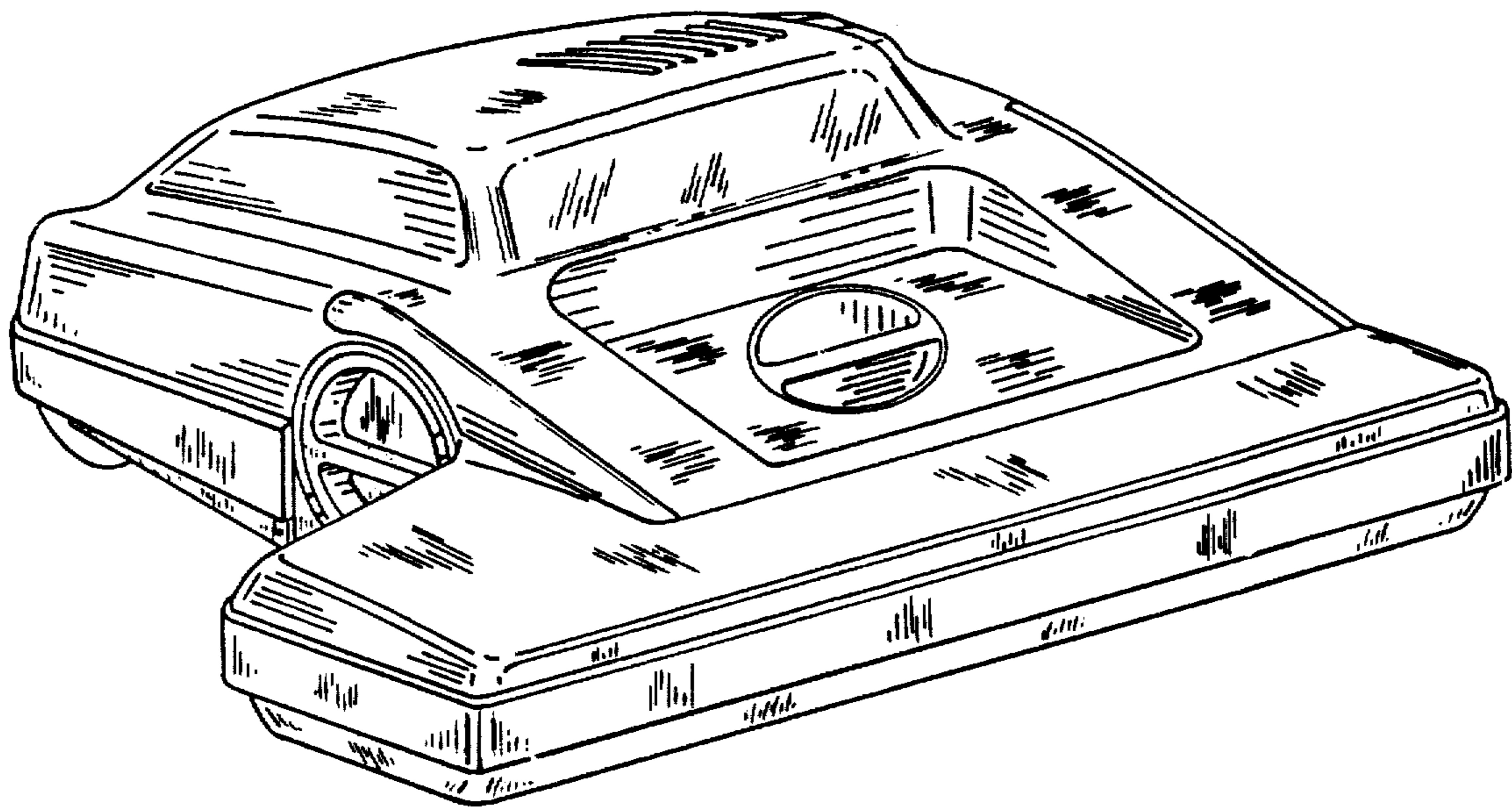
[22] Filed: Nov. 6, 1980

FIG. 1 is a left front perspective view of a cleaner main body or the like showing my new design;
FIG. 2 is a rear elevational view thereof;
FIG. 3 is a top plan view thereof;
FIG. 4 is a left side elevational view thereof;
FIG. 5 is a right side elevational view thereof; and
FIG. 6 is a bottom plan view thereof.

[51] Int. Cl. D15-05

[52] U.S. Cl. D32/22

[58] Field of Search D32/15, 19-24,
D32/31-34; 15/324-327, 377, 382, 415-422



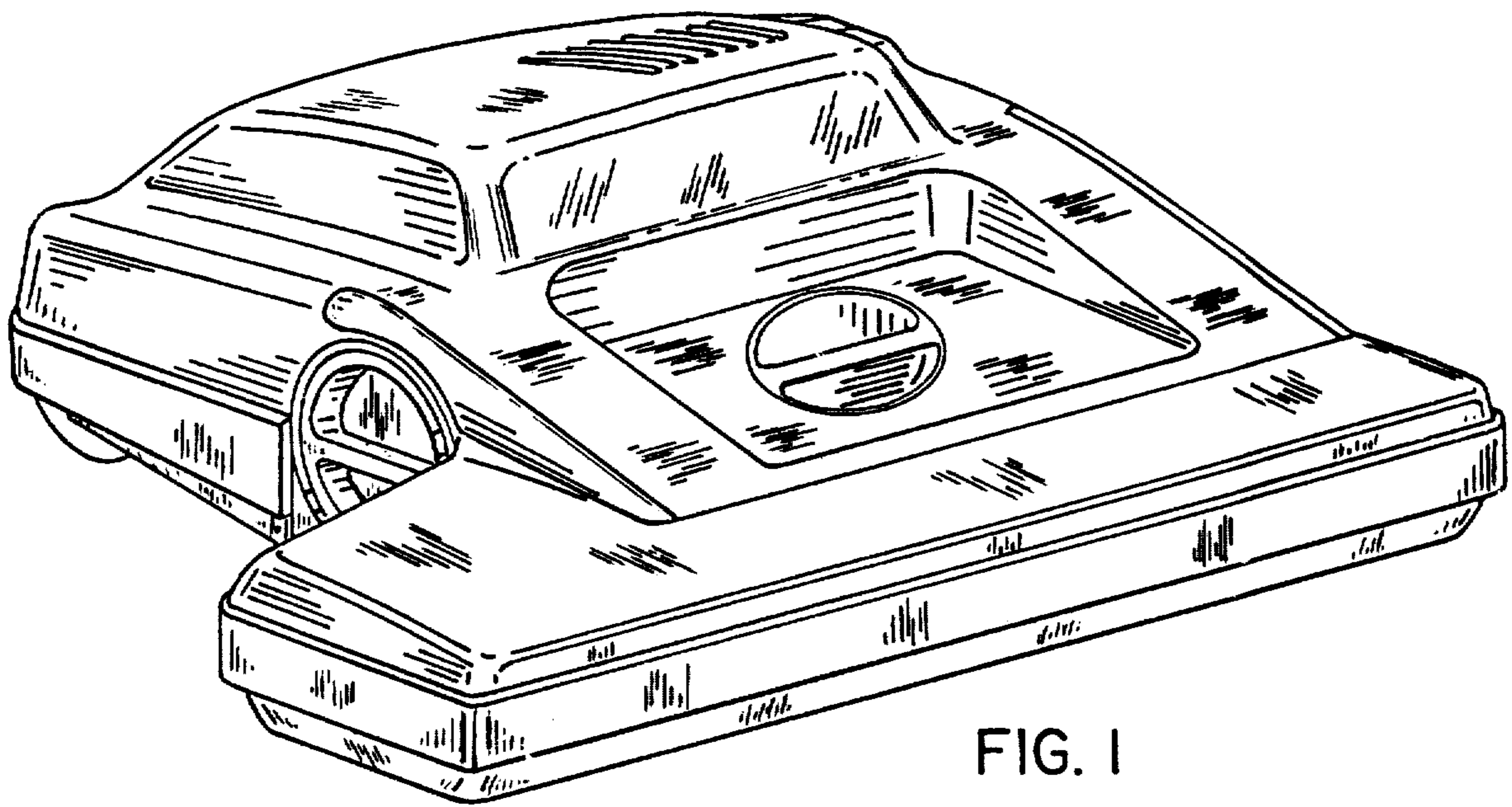


FIG. 1

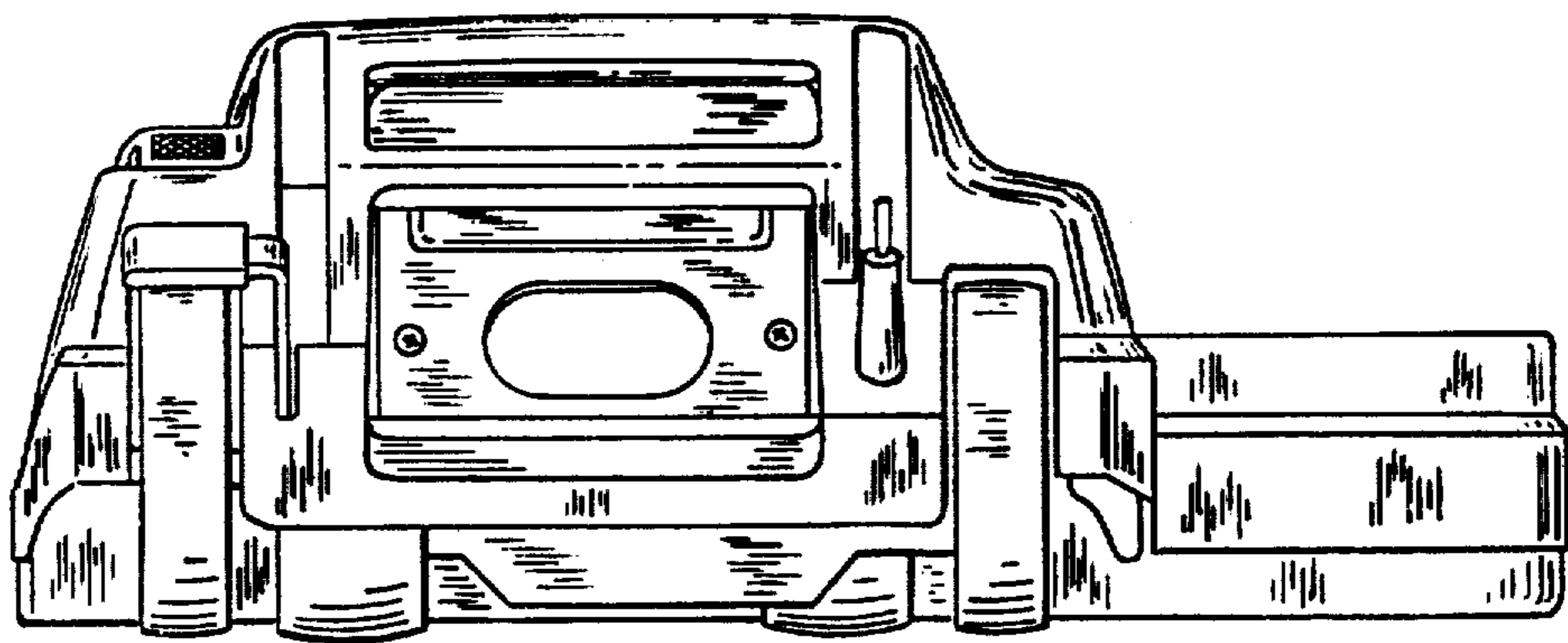


FIG. 2

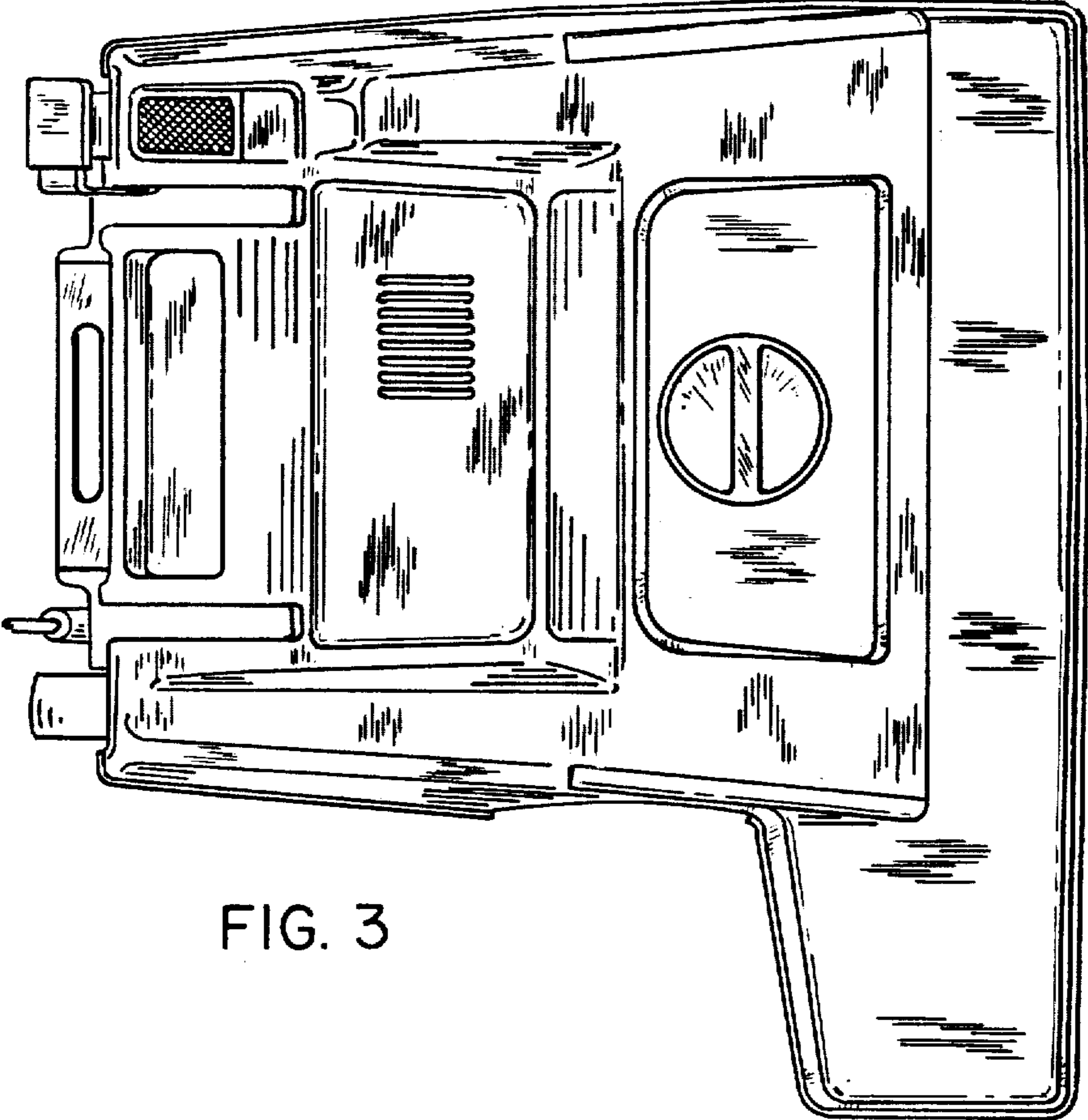


FIG. 3

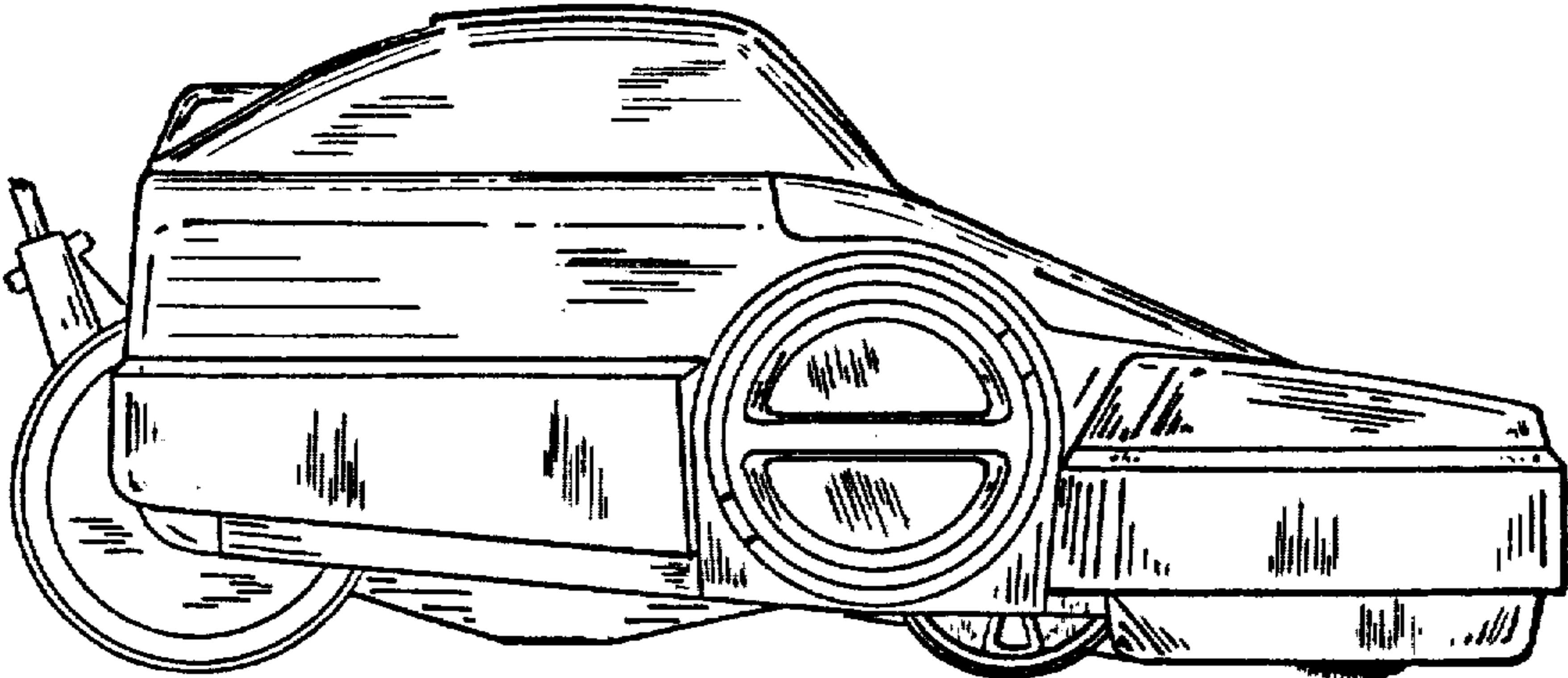


FIG. 4

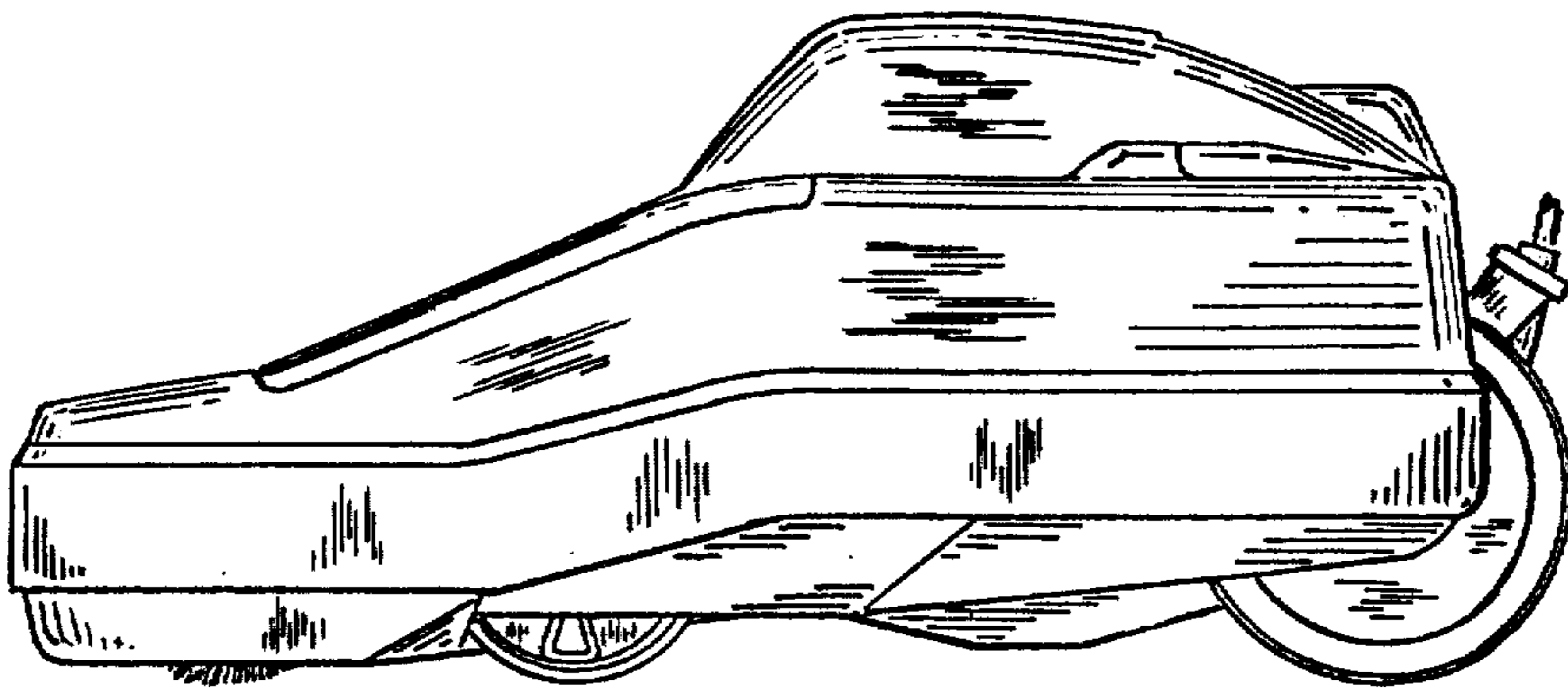


FIG. 5

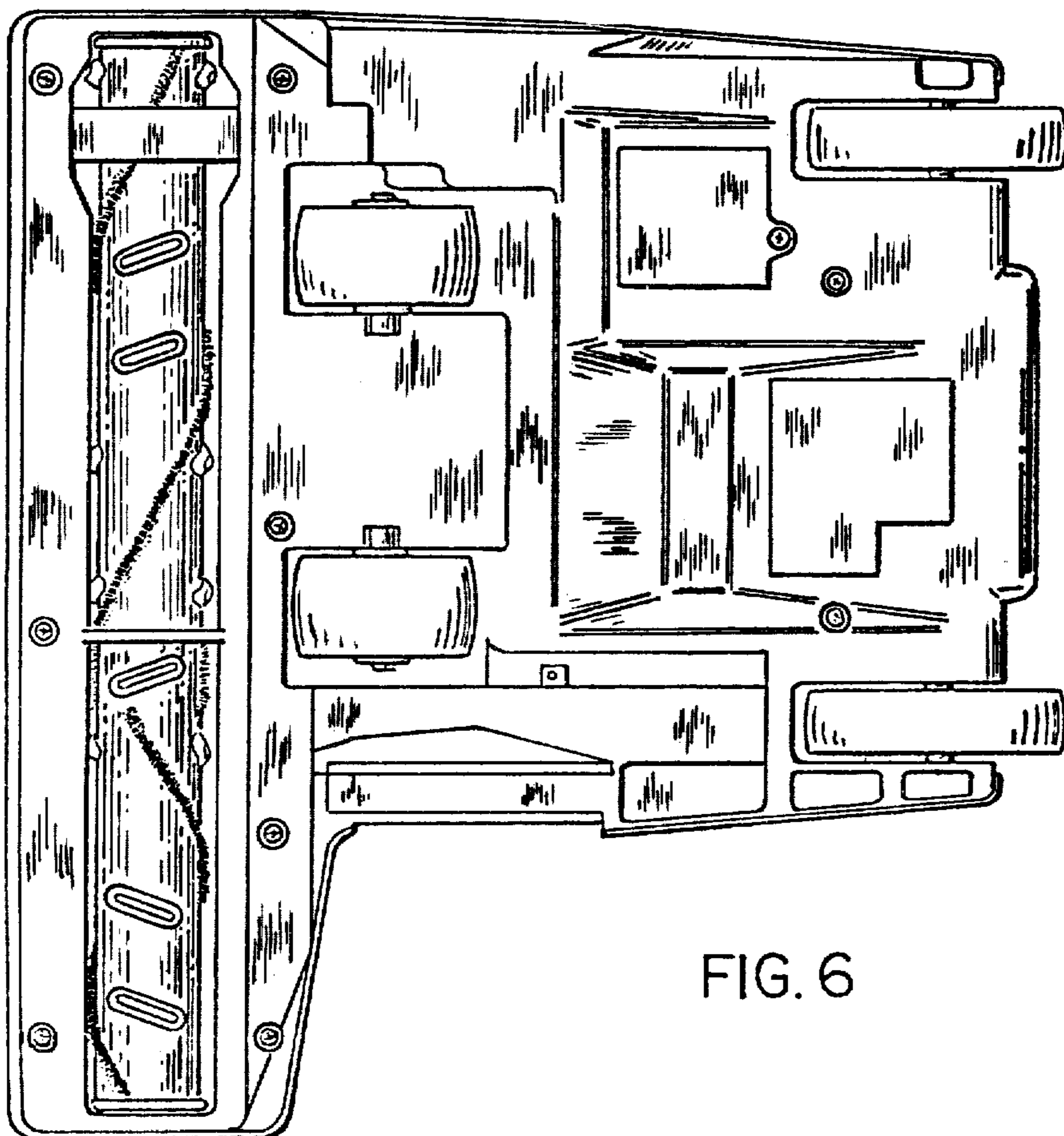


FIG. 6