

[54] **FLOOR POLISHER**

[75] Inventor: **Floyd L. Cook, Jr., Muskegon Heights, Mich.**

[73] Assignee: **McGraw-Edison Company, Rolling Meadows, Ill.**

[**] Term: **14 Years**

[21] Appl. No.: **133,447**

[22] Filed: **Mar. 24, 1980**

[51] Int. Cl. **D15-05**

[52] U.S. Cl. **D32/19**

[58] Field of Search **D32/1, 15, 16, 19, 20; 15/49 R, 50 R**

2,565,658	8/1951	Hilger .	
2,600,233	6/1952	Finnell .	
2,618,798	11/1952	Ohrt .	
3,013,287	12/1961	Descarries	15/49 R
3,100,903	8/1963	Doyle, Sr.	15/49 R
3,124,911	3/1964	Vinella .	
3,155,996	11/1964	Berthelot et al.	15/49 R
3,264,674	8/1966	Doyle, Jr. et al. .	
3,422,579	1/1969	Rogge et al. .	
3,428,984	2/1969	Collier	15/49 R
3,715,772	2/1973	Downing et al. .	
3,921,244	11/1975	Warren et al. .	
4,115,890	9/1978	Burgoon	15/49 R
4,122,576	10/1978	Berington et al.	15/49 R

Primary Examiner—James R. Largen
Attorney, Agent, or Firm—Thomas M. McKinley; Jon Carl Gealow; Hugh M. Gilroy

[56] **References Cited**

U.S. PATENT DOCUMENTS

D. 77,963	3/1929	Johnson	D32/19
D. 87,851	9/1932	Myer	D32/19
D. 132,811	6/1942	Holt	D32/19
D. 156,689	1/1950	Atkin	D32/19
D. 178,848	9/1956	Pond	D32/19
D. 183,050	6/1958	Holt	D32/15
D. 251,007	2/1979	Burgoon	D32/19
1,434,109	10/1922	Finnell .	
1,829,132	10/1931	Finnell .	
1,878,508	9/1932	Menkhaus .	
2,079,946	5/1937	Myers .	

[57] **CLAIM**

The ornamental design for floor polisher, as shown and described.

DESCRIPTION

FIG. 1 is a perspective view taken from the top, front and right side of a floor polisher showing my new design.
 FIG. 2 is a front elevational view thereof;
 FIG. 3 is a left side elevational view thereof;
 FIG. 4 is a right side elevational view thereof;
 FIG. 5 is a rear elevational view thereof; and
 FIG. 6 is a top plan view thereof.

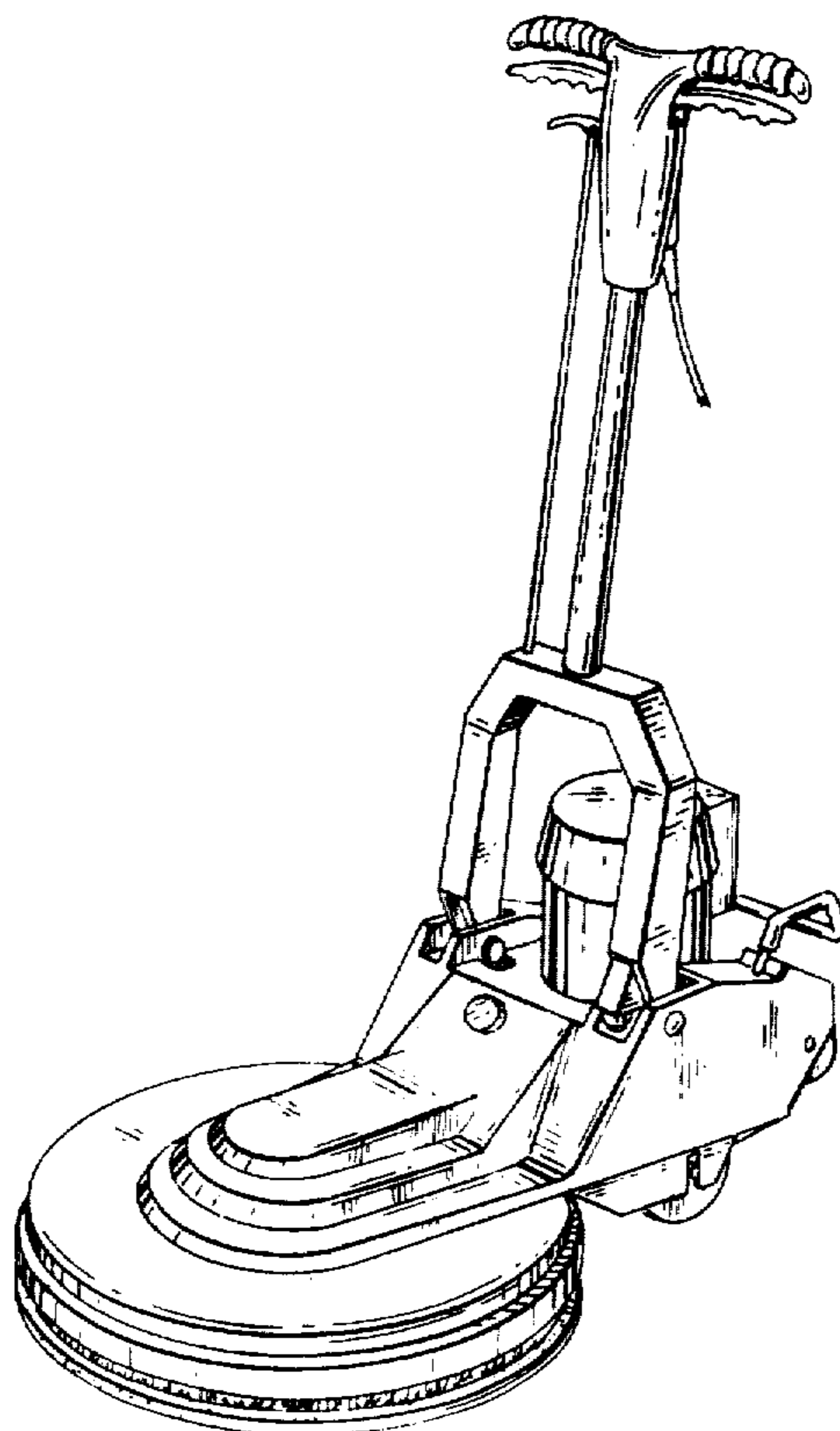


FIG. 1

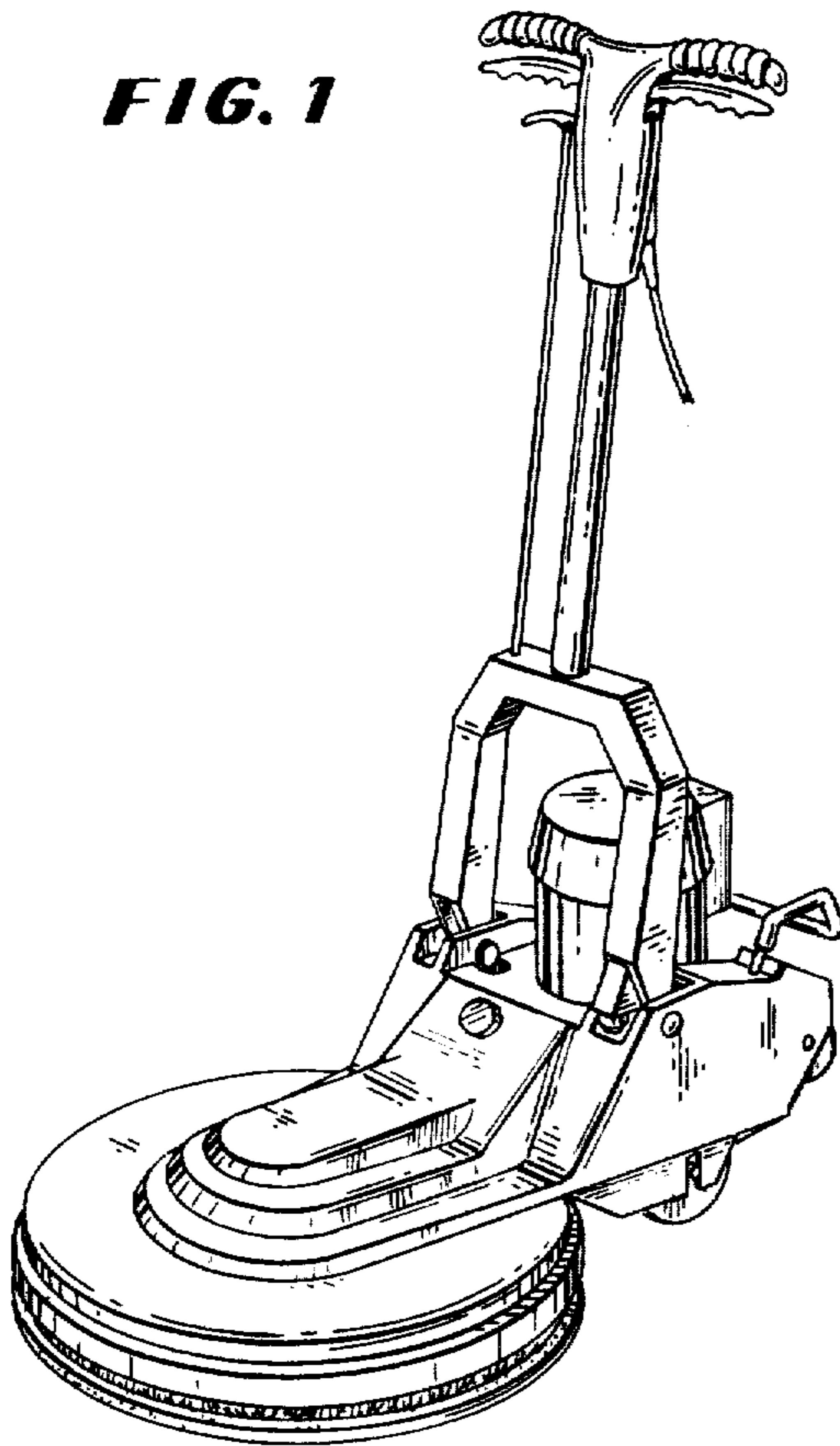


FIG. 2

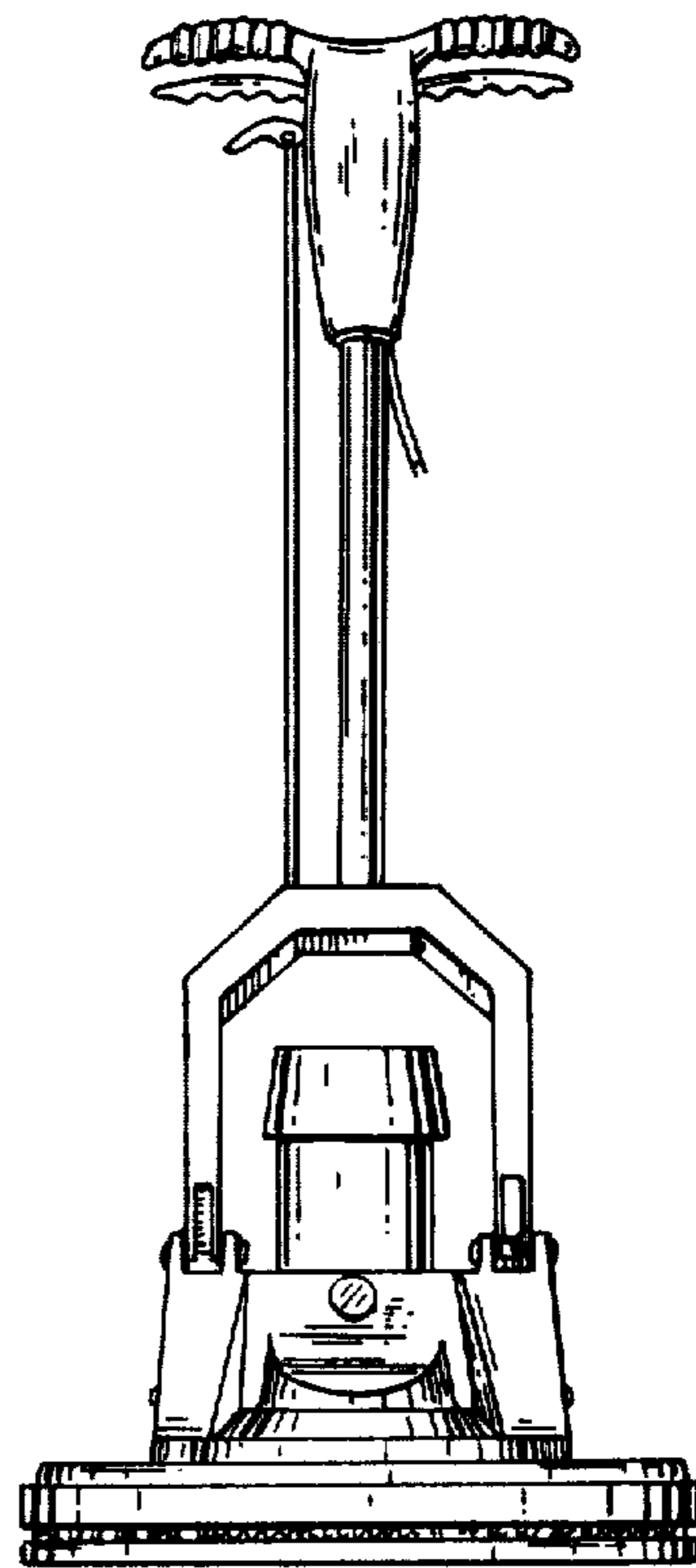


FIG. 3

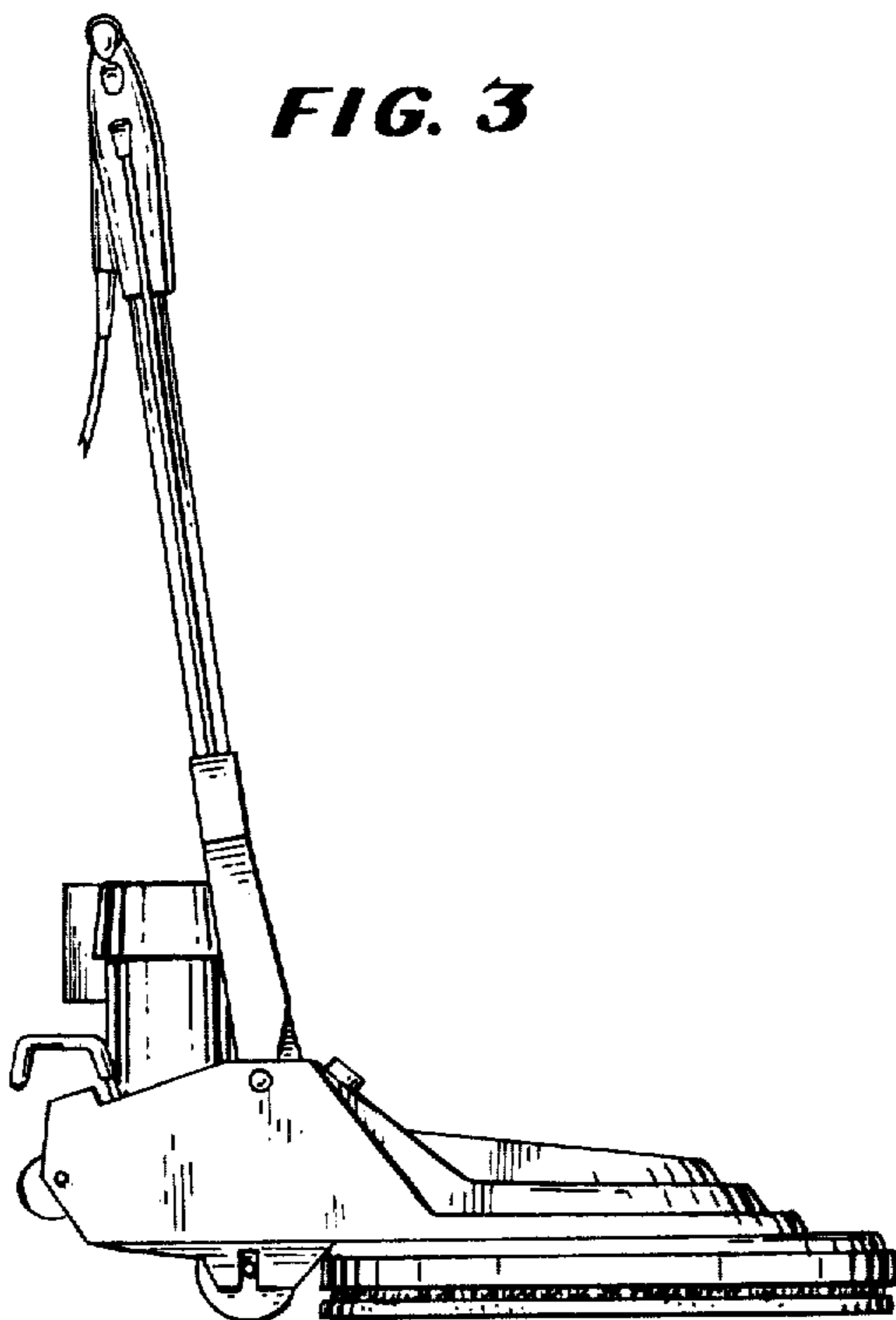


FIG. 4

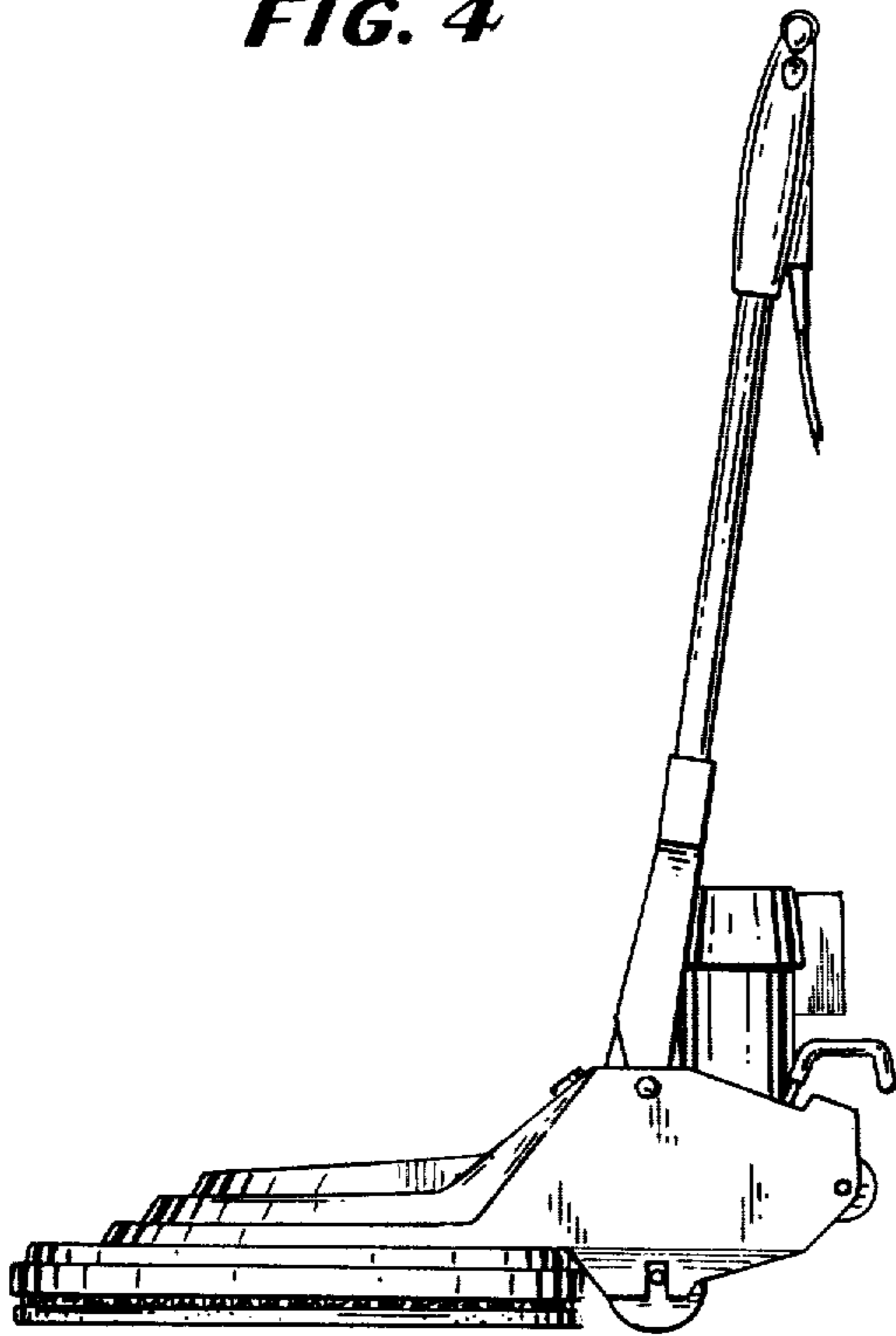


FIG. 5

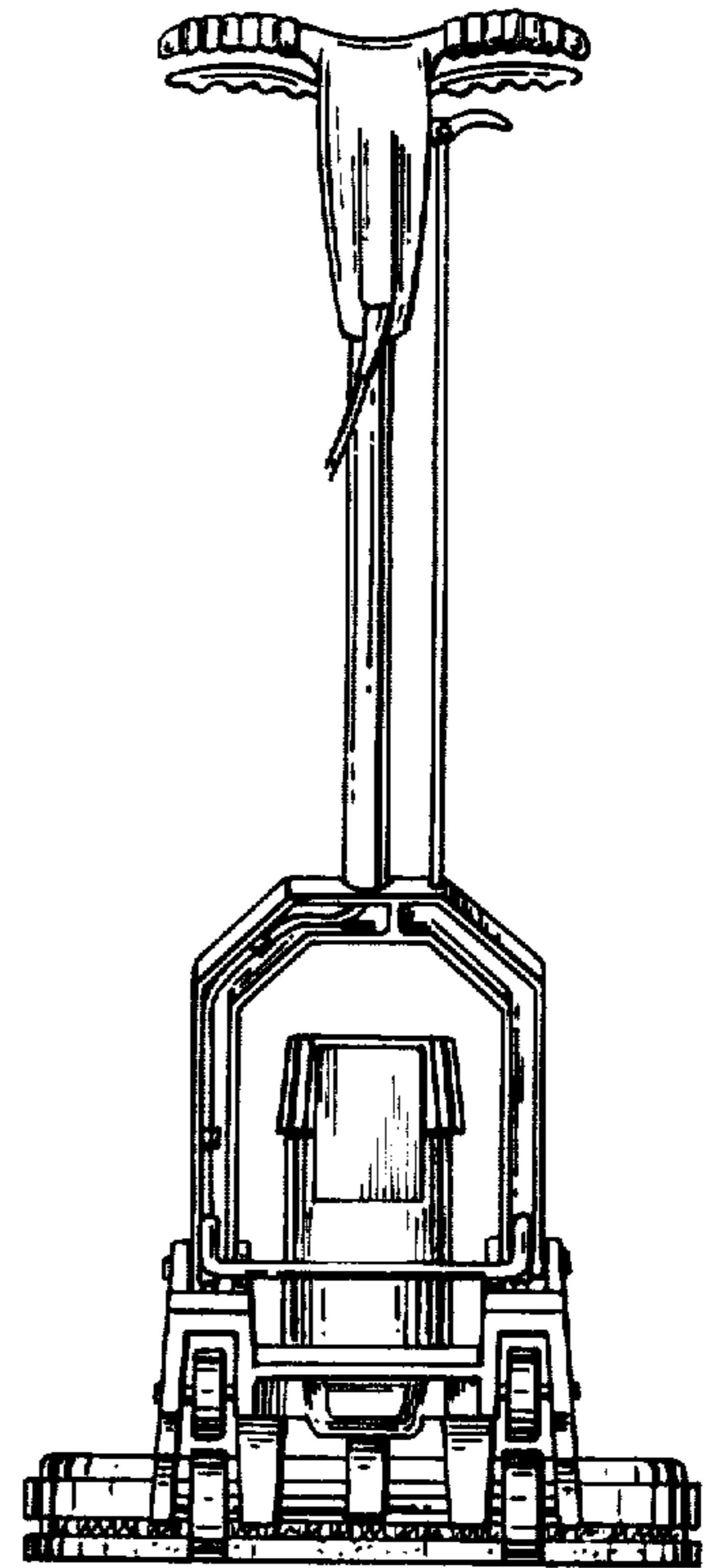


FIG. 6

