

[54] HAIR CURLING IRON OR THE LIKE

2,866,468 12/1958 Eldridge D28/35
3,173,429 3/1965 Phuldine D28/35 X

[76] Inventors: Clifford J. Peterson, 1021 N. Crescent Dr., #301, Hollywood, Calif. 90046; Peter Dawes, 5031 Genesta, Encino, Calif. 91316; Gary E. Birks, 615 Avenue "D", Redondo Beach, Calif. 90277

OTHER PUBLICATIONS

Modern Salon, 5/1980, p. 70-Curling Iron at bottom.
Modern Beauty Shop, 11/1978, p. 13-Curling Iron at center.

Primary Examiner—Louis S. Zarfes

[**] Term: 14 Years

[57] CLAIM

[21] Appl. No.: 319,681

The ornamental design for a hair curling iron or the like, as shown and described.

[22] Filed: Nov. 9, 1981

DESCRIPTION

[51] Int. Cl. D28—03
[52] U.S. Cl. D28/35
[58] Field of Search D28/9, 10, 26, 35, 99;
219/222, 225; 132/31 R, 32 R, 37 R, 37 A, 9

FIG. 1 is a top plan view, the bottom plan view being the mirror image thereof, of a hair curling iron or the like showing our new design;

FIG. 2 is a left side elevational view thereof;

FIG. 3 is a right side elevational view thereof;

FIG. 4 is a bottom plan view, showing the open position;

FIG. 5 is a front elevational view thereof;

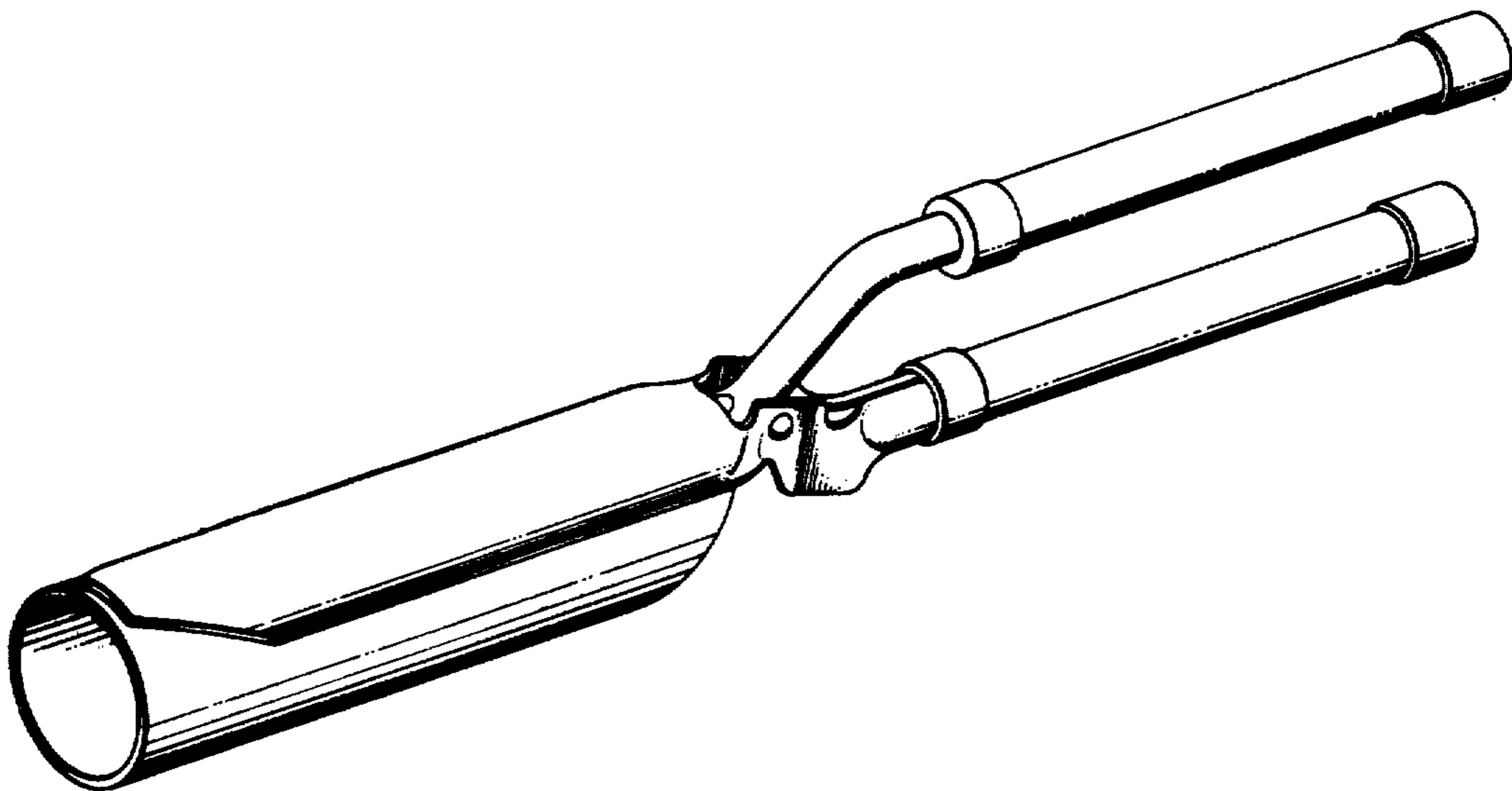
FIG. 6 is a rear elevational view thereof; and

FIG. 7 is a perspective view thereof.

[56] References Cited

U.S. PATENT DOCUMENTS

1,491,981 4/1924 Brinkman 132/37 R
1,530,352 3/1925 Cook 219/225 X
1,875,069 8/1932 Marcel 132/37 R



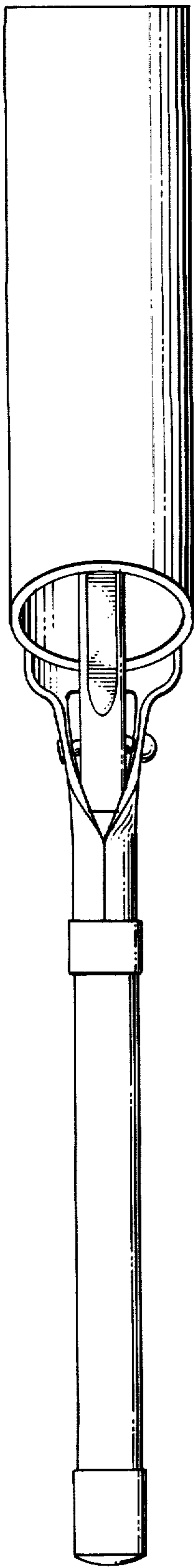


FIG. 2

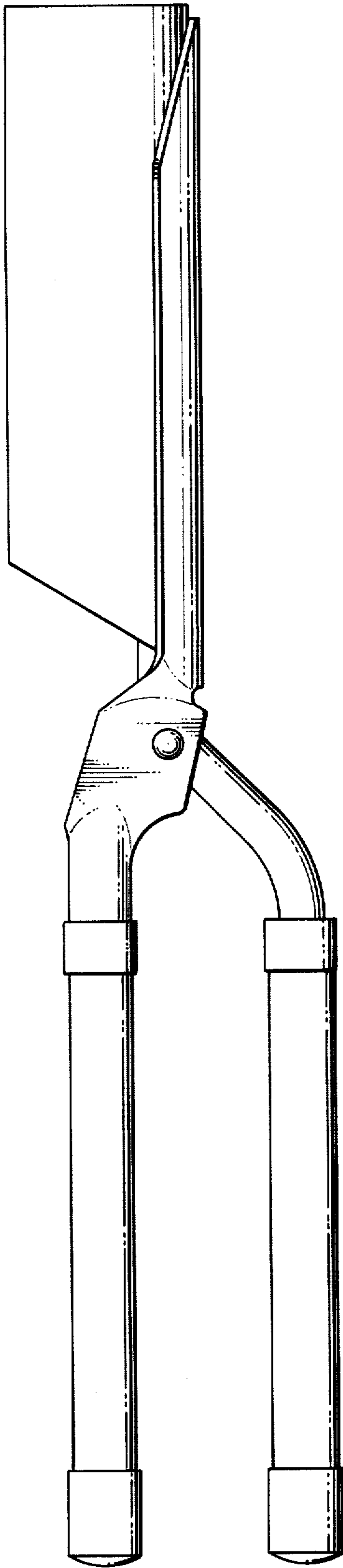


FIG. 1

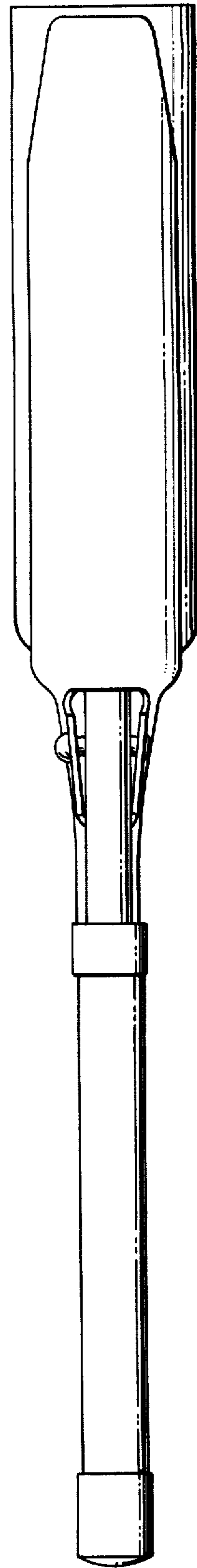


FIG. 3

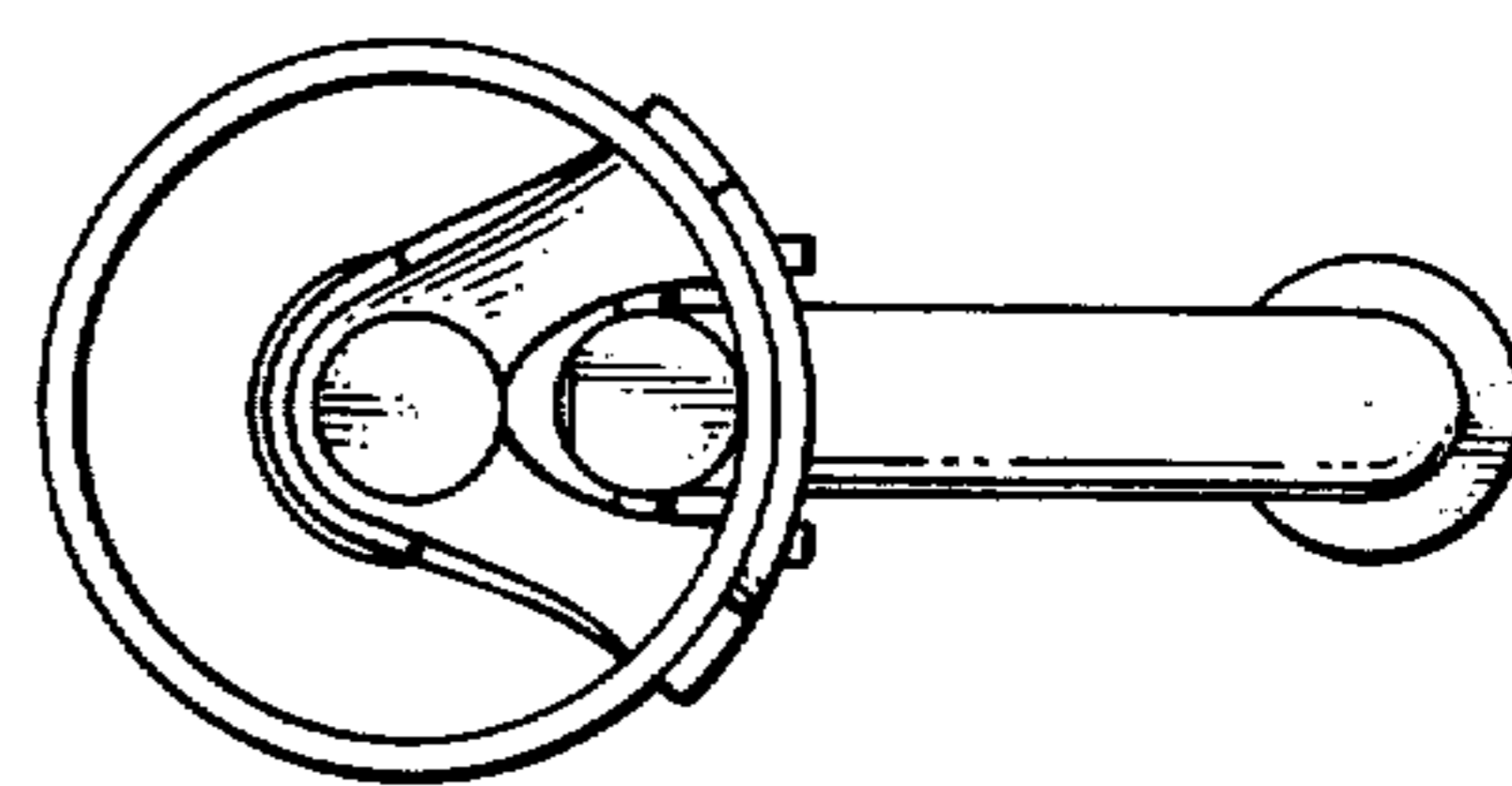
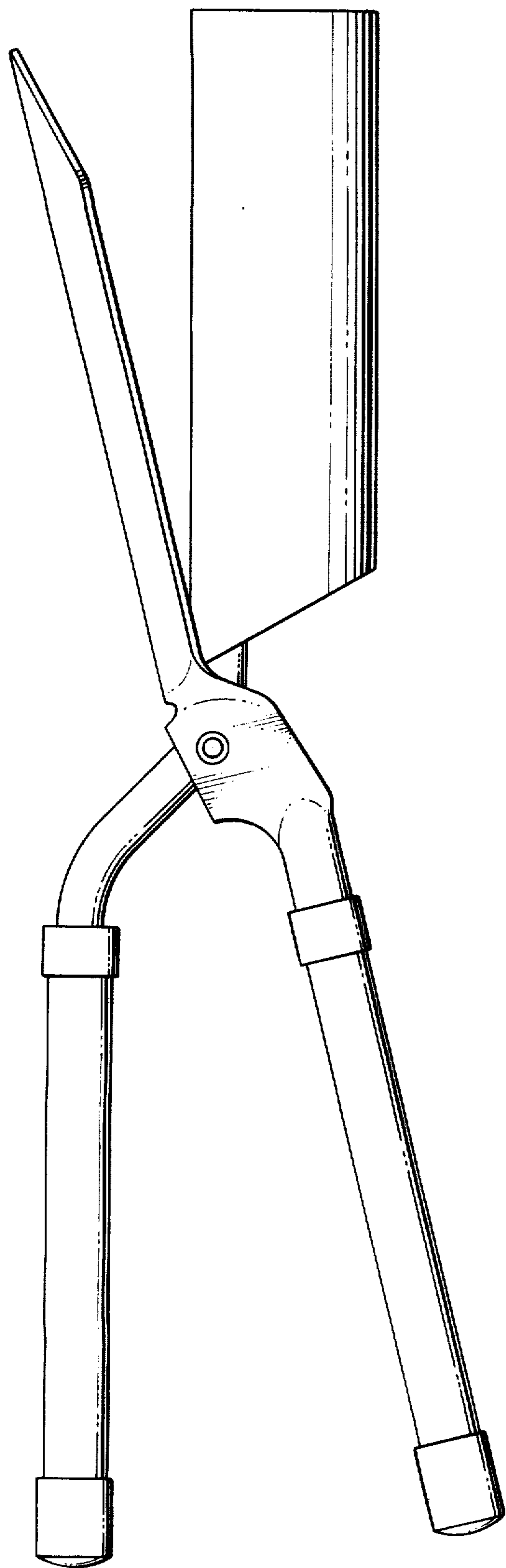


FIG. 5

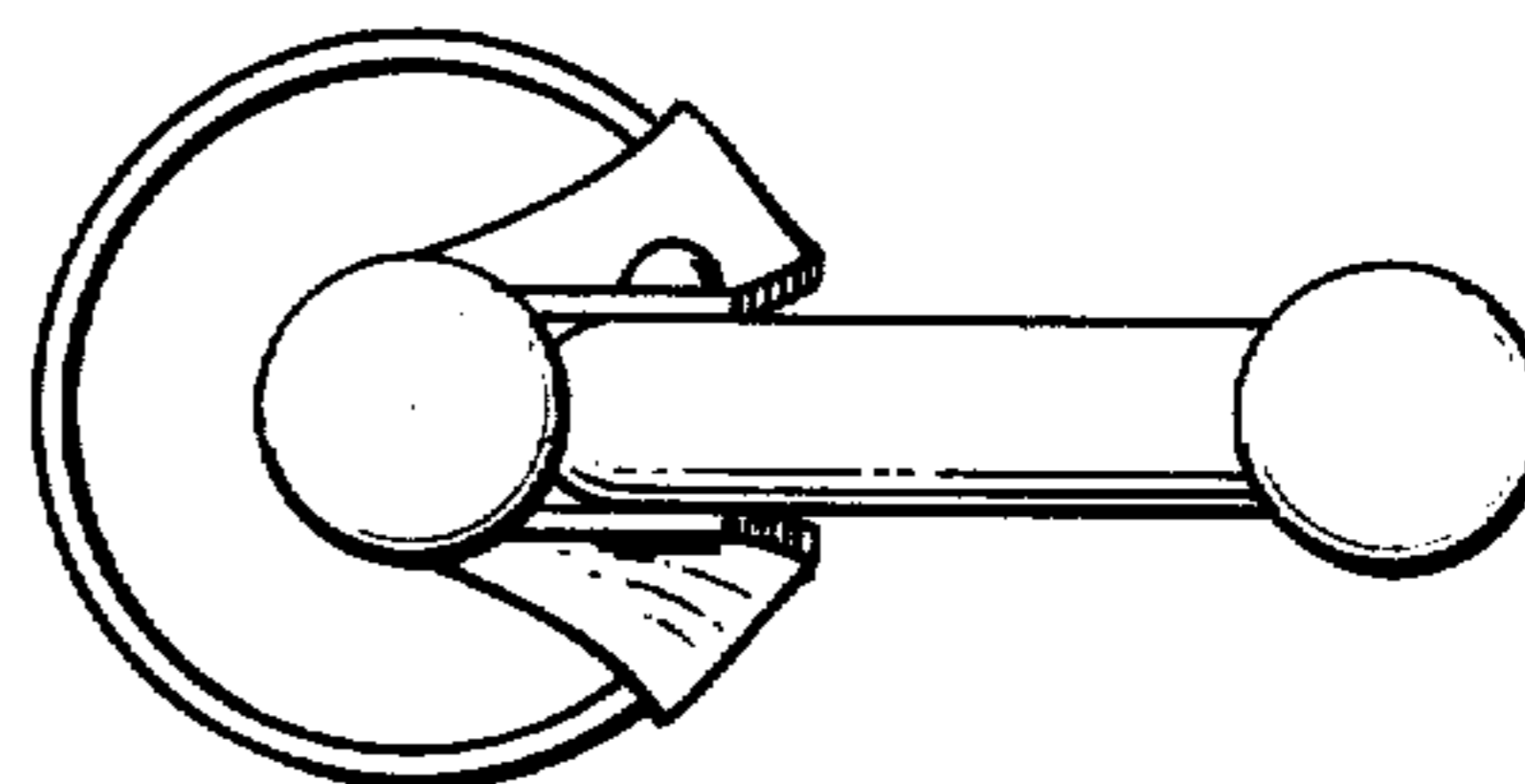


FIG. 6

FIG. 4

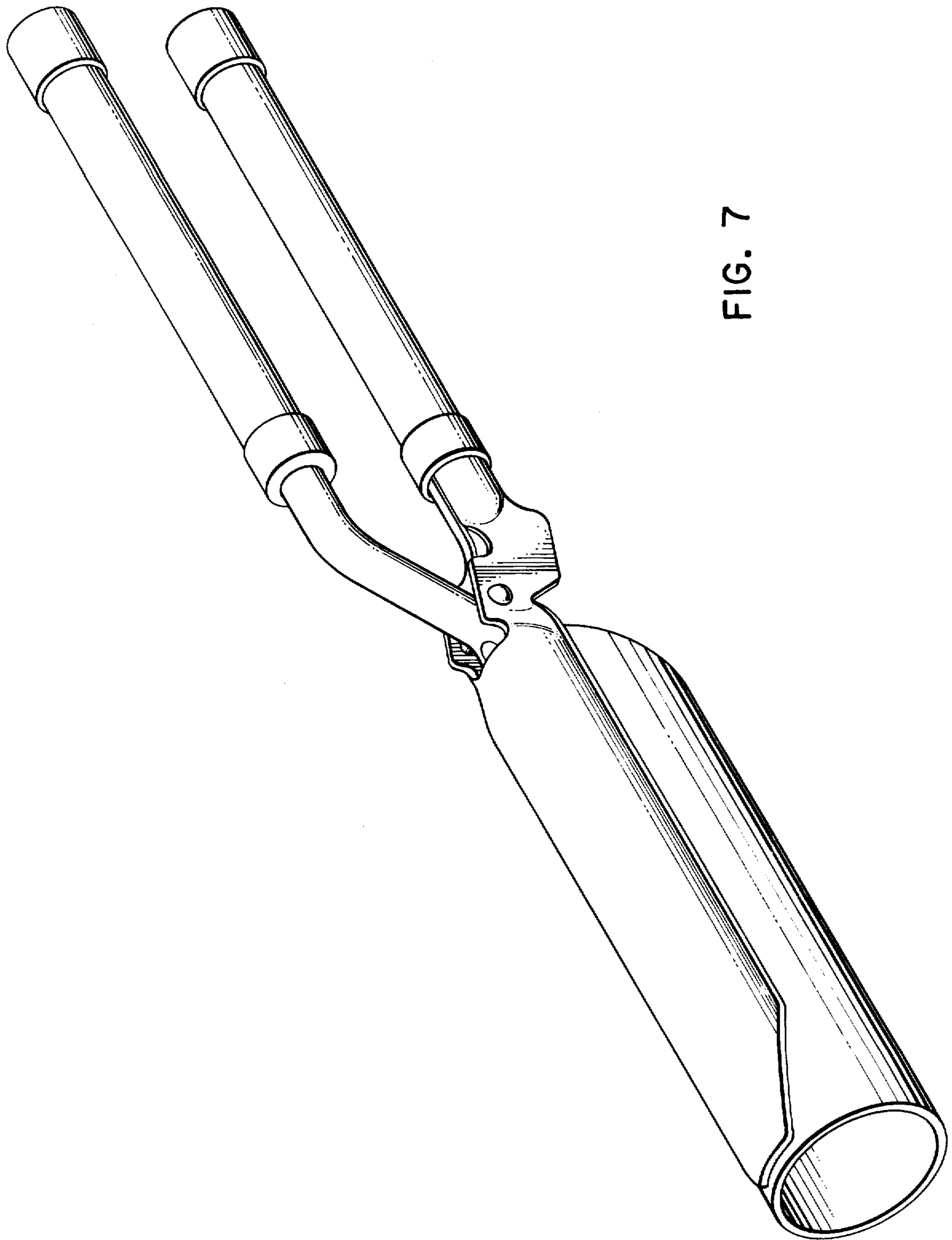


FIG. 7