

[54] LIGHTER

[76] Inventor: Taro Yanai, No. 3-13, Shirakawa 1-chome, Koto-ku, Tokyo, Japan

[**] Term: 14 Years

[21] Appl. No.: 163,913

[22] Filed: Jun. 27, 1980

[30] Foreign Application Priority Data

Dec. 28, 1979 [JP] Japan 54-182674[U]

[51] Int. Cl. D27-05

[52] U.S. Cl. D27/36

[58] Field of Search D27/36-42; 431/125, 126-143

[56] References Cited

U.S. PATENT DOCUMENTS

D. 92,373 5/1934 Schiff D27/36
1,981,022 11/1934 Ayotte 431/127

FOREIGN PATENT DOCUMENTS

344543 1/1921 Fed. Rep. of Germany 431/127
726391 5/1932 France 431/128

Primary Examiner—Susan J. Lucas
Attorney, Agent, or Firm—McGlew and Tuttle

[57] CLAIM

The ornamental design for a lighter, as shown and described.

DESCRIPTION

FIG. 1 is a perspective view of the lighter embodying my new design;

FIG. 2 is a perspective view similar to FIG. 1 but illustrating the opposite side edge, and

FIG. 3 is an exploded, perspective view similar in orientation to FIG. 1.

A bottom plan view would show a flat surface that is plain except for the longitudinal edge notch and the circular end face of the elongated flint contained therein.

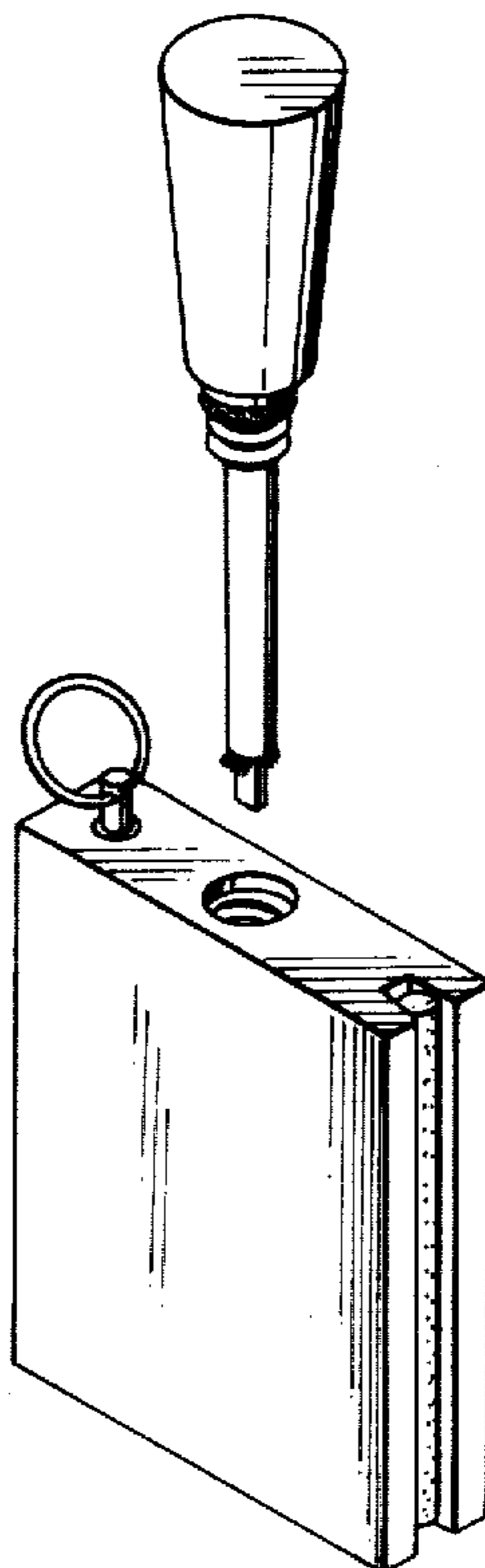


FIG. 1

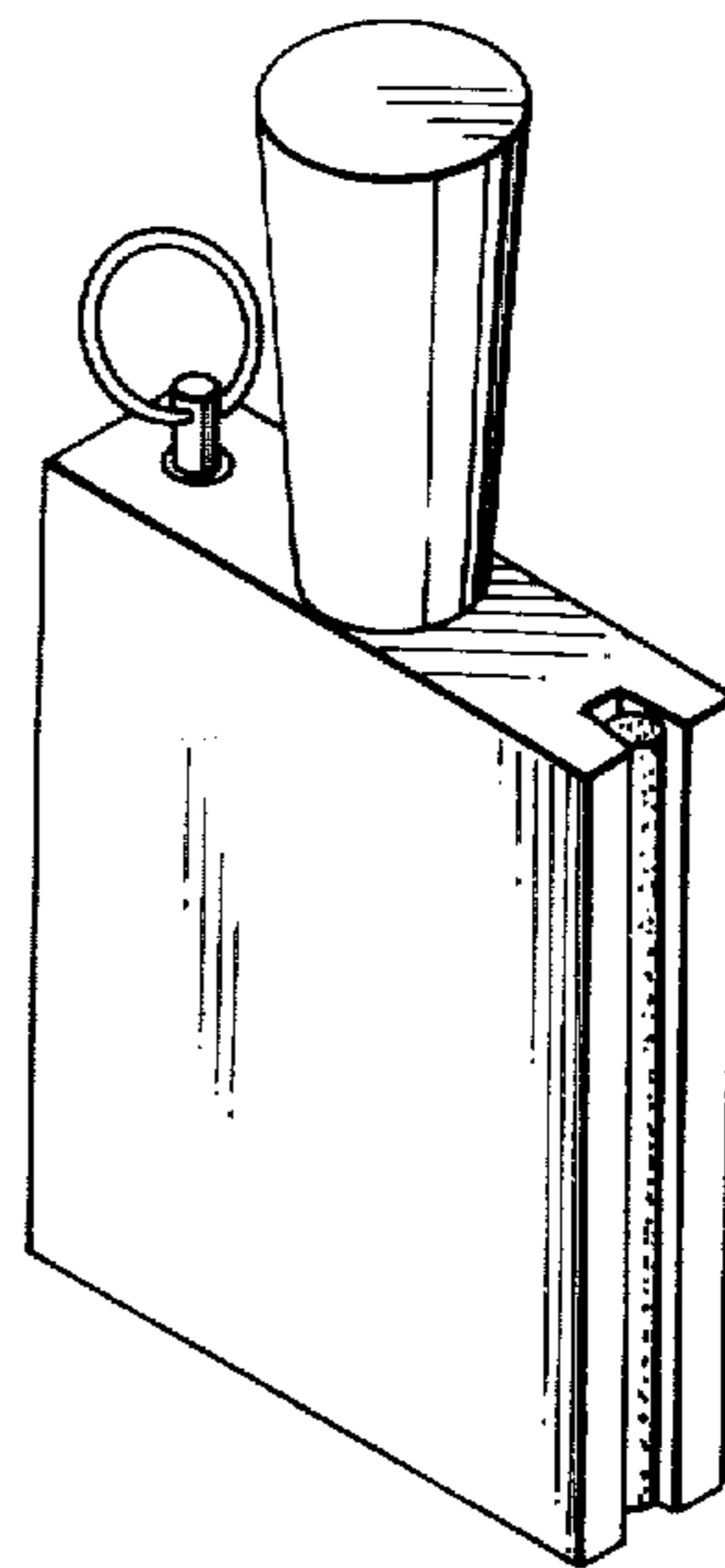


FIG. 3

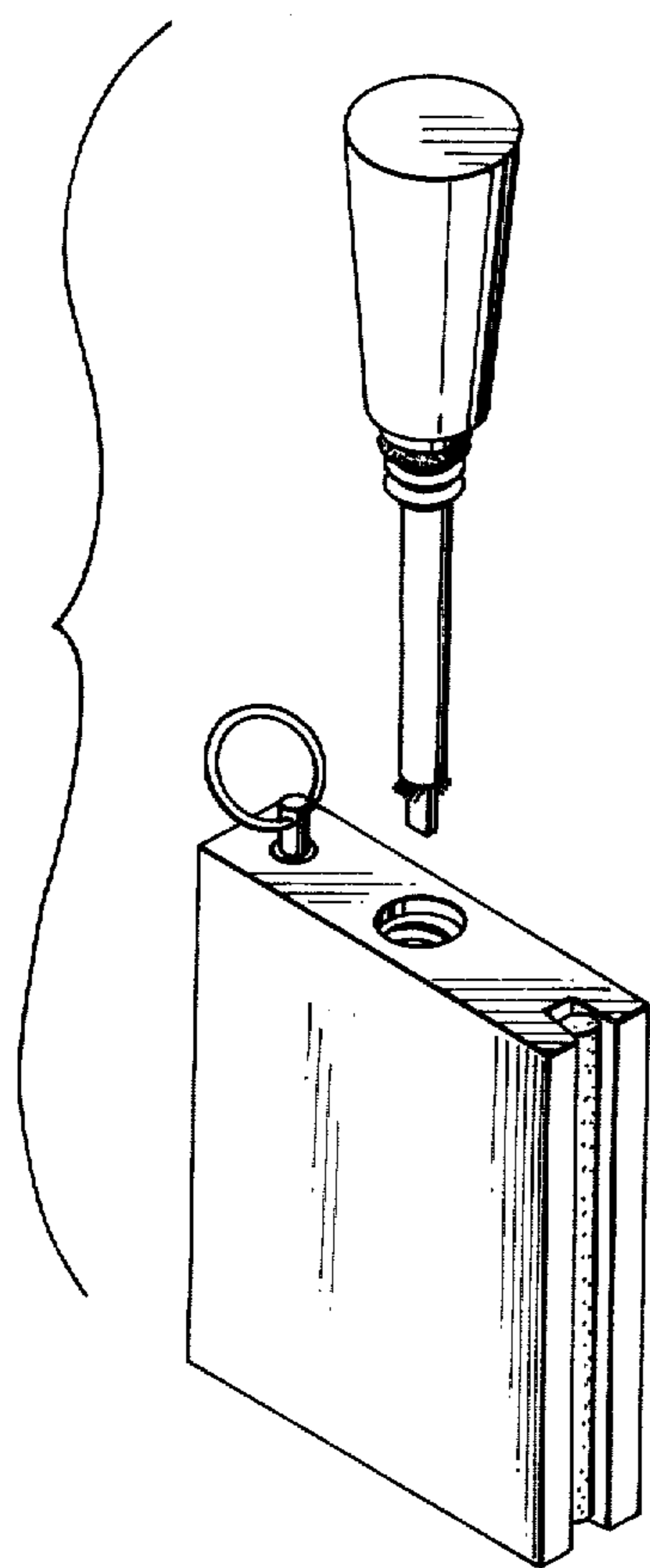


FIG. 2

