

[54] **BRICK**

[75] Inventor: **Elsie M. Atkinson**, Huntington Beach, Calif.

[73] Assignee: **Atkinson Brick Co.**, Los Angeles, Calif.

[**] Term: **14 Years**

[21] Appl. No.: **192,608**

[22] Filed: **Sep. 30, 1980**

[51] Int. Cl. **D25—01**

[52] U.S. Cl. **D25/86**

[58] Field of Search 52/314, 173, 316; D25/80, 84, 86

3,518,799 7/1970 Bachner D25/86 X

3,616,103 10/1971 Greiner et al. D25/86 X

3,968,610 7/1976 Medow D25/86 X

FOREIGN PATENT DOCUMENTS

2303015 8/1973 Fed. Rep. of Germany 52/314

Primary Examiner—A. Hugo Word
Attorney, Agent, or Firm—William W. Haefliger

[57] **CLAIM**

The ornamental design for a brick, substantially as shown and described.

DESCRIPTION

FIGS. 1-4 are perspective views of several bricks incorporating the surface design, and showing the front, top and left ends of such bricks;

FIG. 5 is a respective view of the rear, bottom and right end of each of the FIGS. 1-4 bricks;

FIG. 6 is a section taken on lines 6-6 of FIG. 3, and showing a cross section of each of the FIGS. 1-4 bricks.

[56] **References Cited**

U.S. PATENT DOCUMENTS

D. 193,984 11/1962 Gory D25/86 X

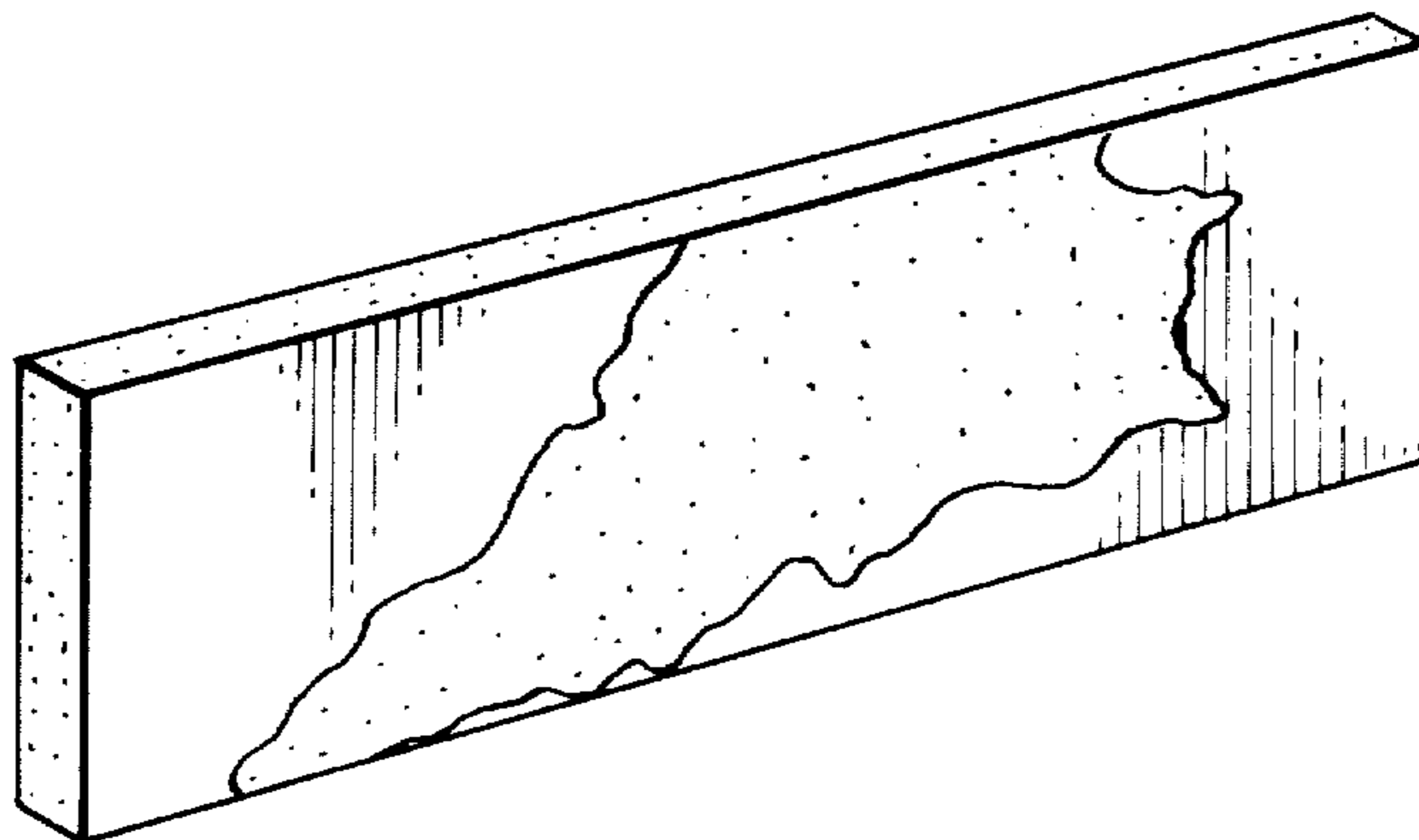


FIG. 1.

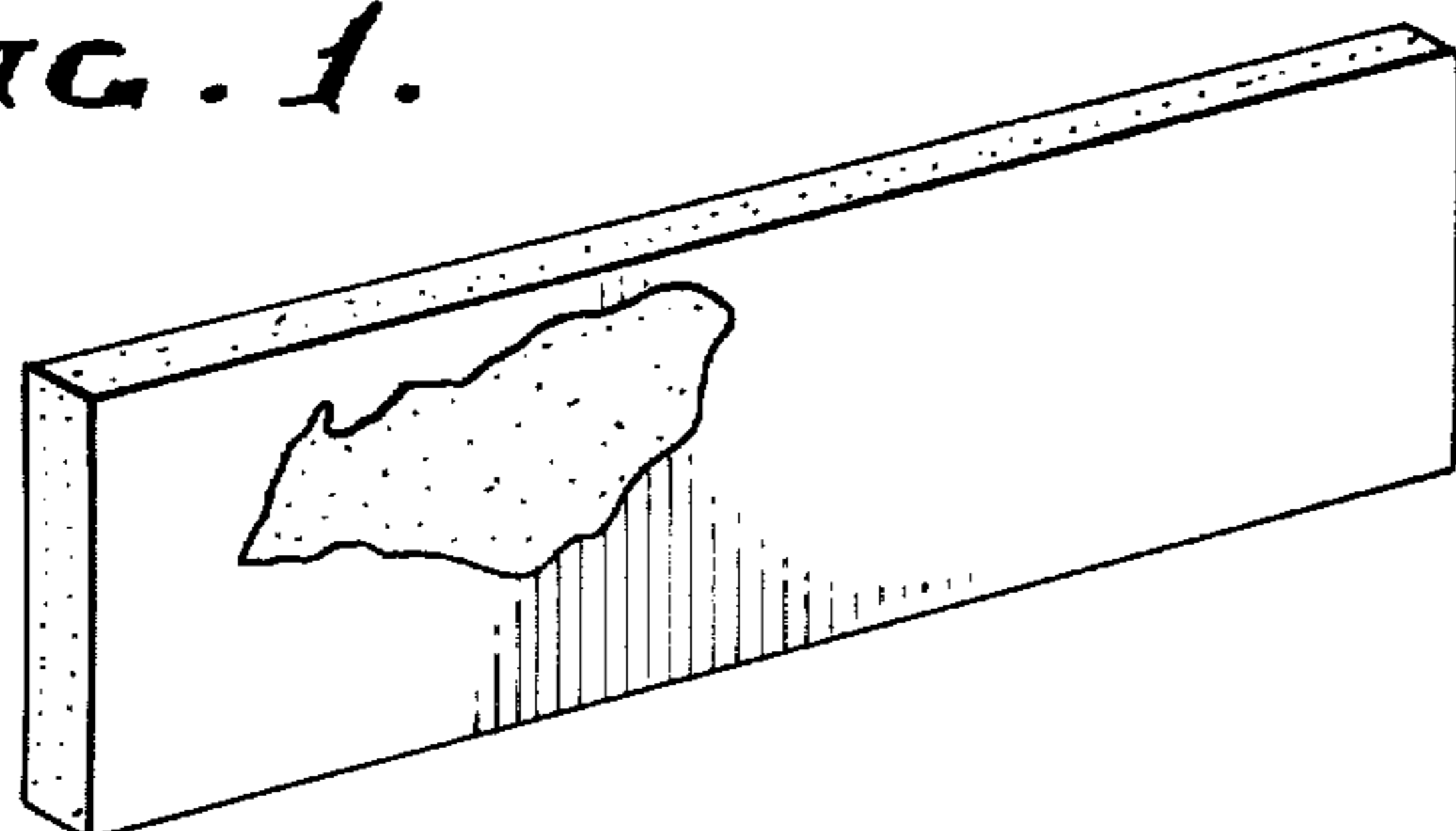


FIG. 2.

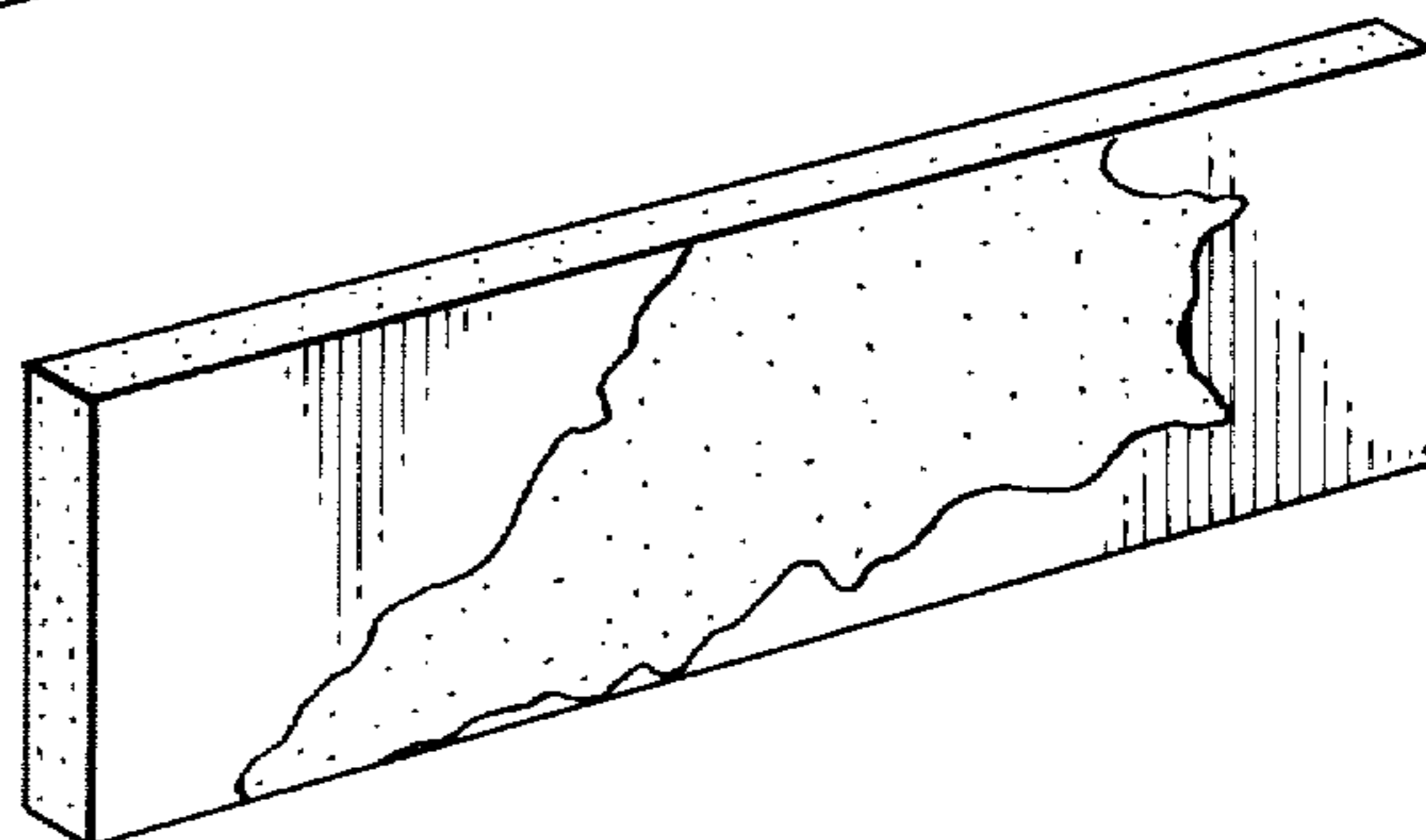


FIG. 3.

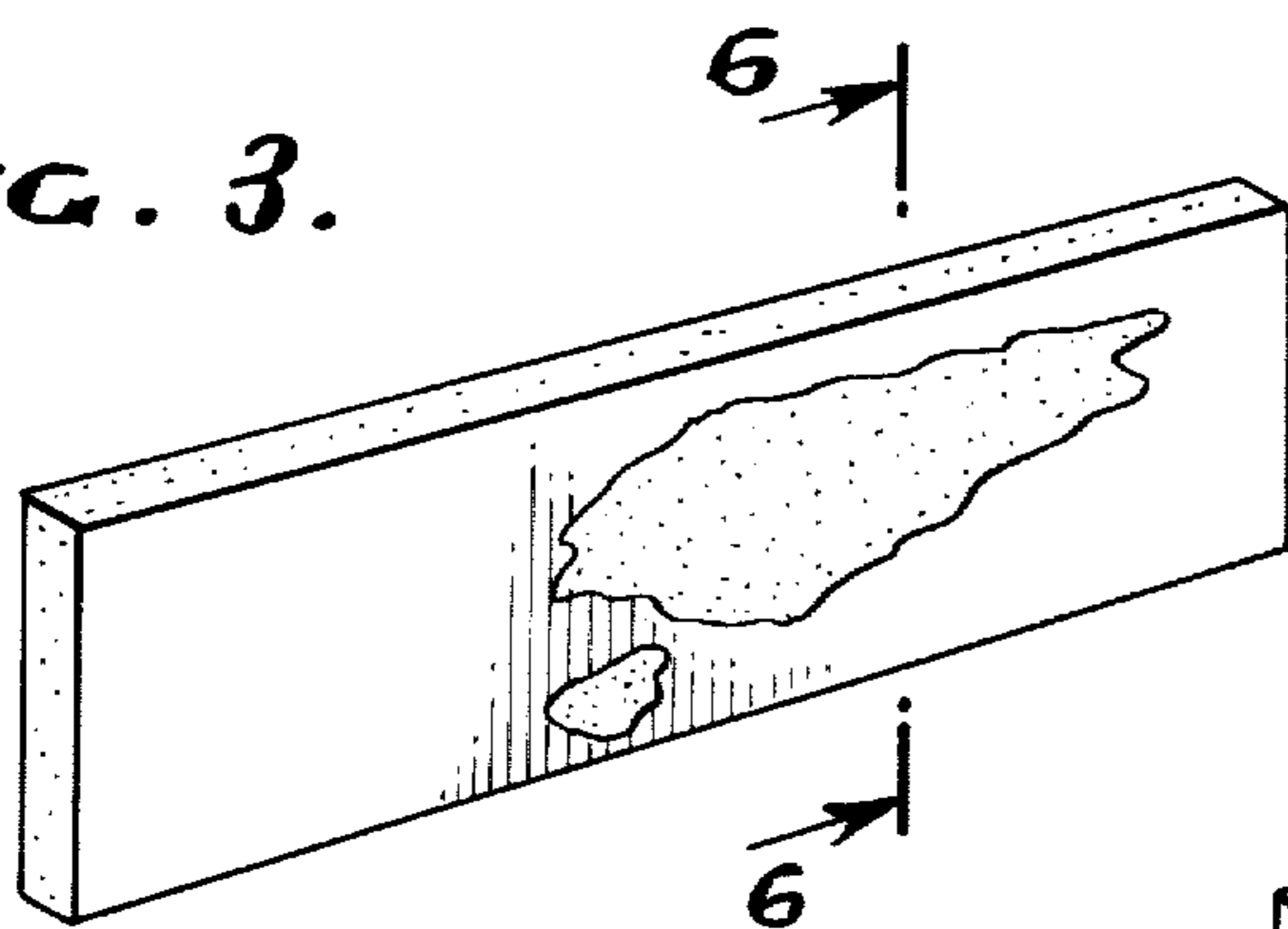


FIG. 4.

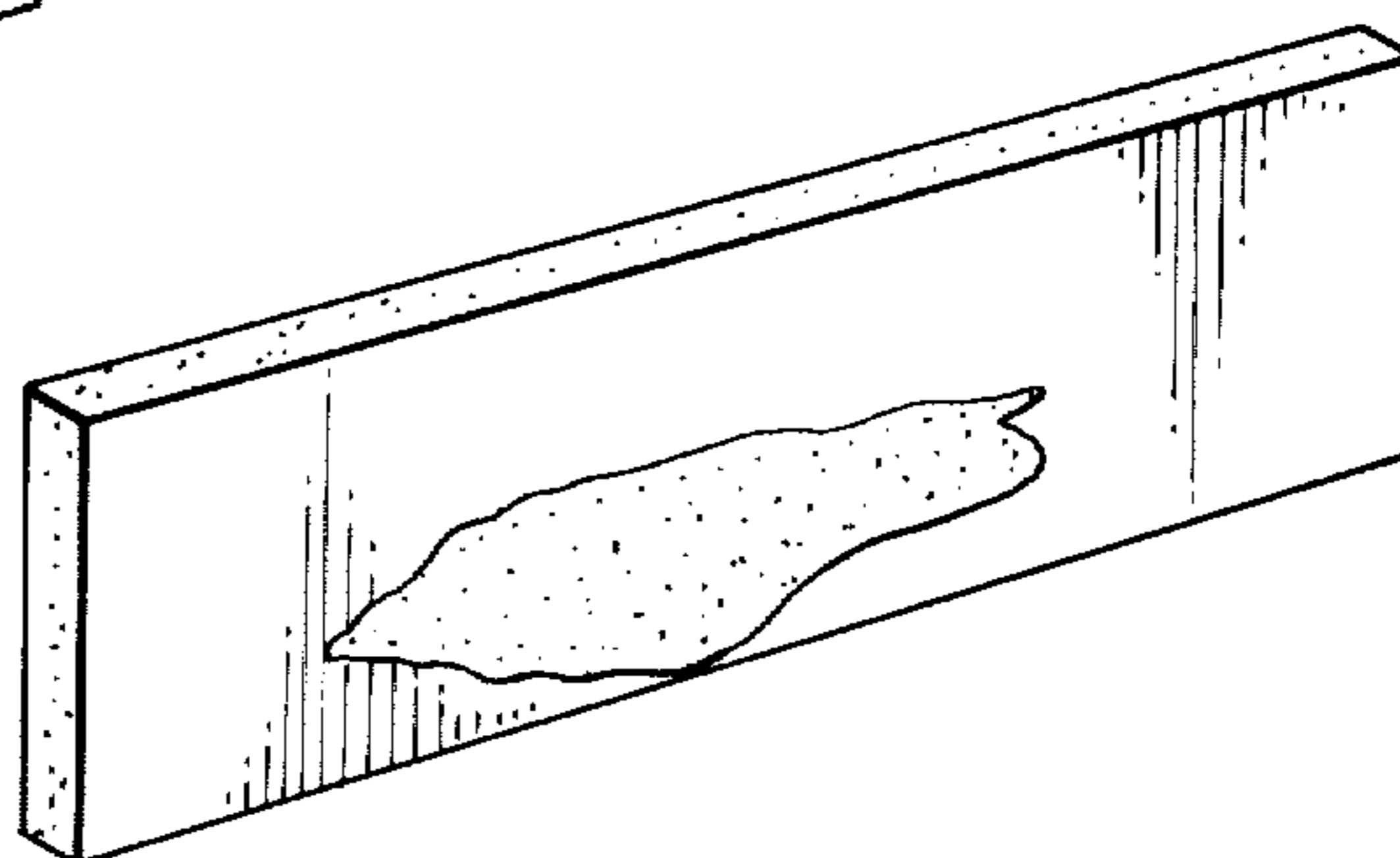


FIG. 6.



FIG. 5.

