

[54] CARTRIDGE FOR DETERMINING THE ELECTROCHEMICAL CHARACTERISTICS OF A LIQUID

[75] Inventors: Robert J. Sarrine, Ann Arbor; Steven E. Enzer, Brooklyn, both of Mich.

[73] Assignee: Transidyne General Corp., Ann Arbor, Mich.

[\*\*] Term: 14 Years

[21] Appl. No.: 216,462

[22] Filed: Dec. 15, 1980

[51] Int. Cl. .... D24-02

[52] U.S. Cl. .... D24/19

[58] Field of Search ..... D14/11; 204/195 R; 23/230 B; D24/99, 19

[56] References Cited

U.S. PATENT DOCUMENTS

- D. 243,543 3/1977 Fadler et al. .... D24/29
- D. 245,625 8/1977 Benoit ..... D24/21

- D. 252,341 7/1979 Thomas ..... D24/29
- D. 254,687 4/1980 Fadler et al. .... D24/21 X
- D. 257,175 9/1980 Terk ..... D24/29
- 4,119,498 10/1978 Edwall et al. .... 204/195 B X
- 4,272,245 6/1981 Diamond et al. .... 23/230 B
- 4,336,091 6/1982 Gottermeier ..... 204/195 R X

Primary Examiner—Bernard Ansher  
Attorney, Agent, or Firm—Krass, Young & Schivley

[57] CLAIM

An ornamental design for a cartridge for determining the electrochemical characteristics of a liquid, substantially as shown and described.

DESCRIPTION

FIG. 1 is a top view of a cartridge for determining the electrochemical characteristics of a liquid showing my new design;

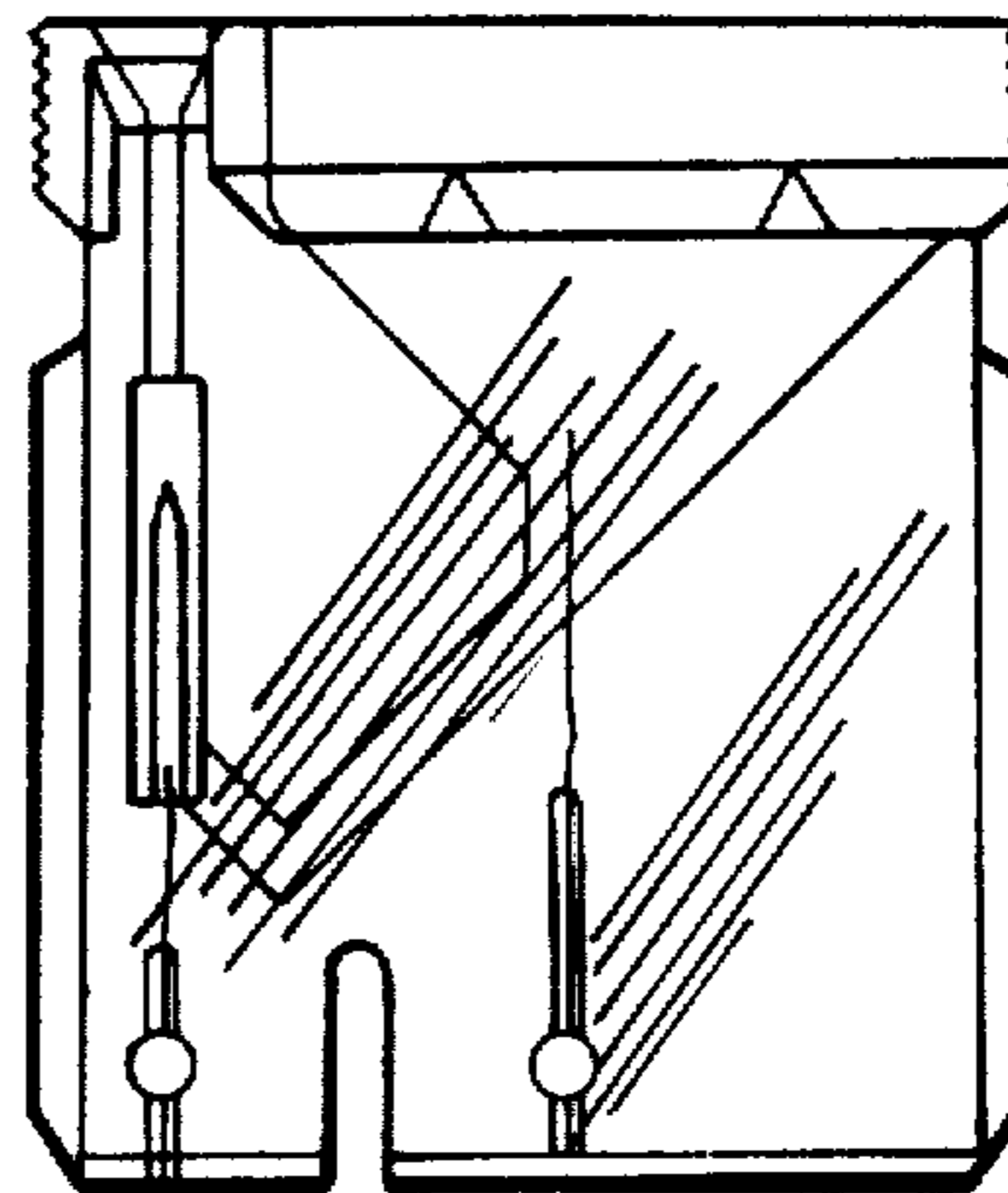
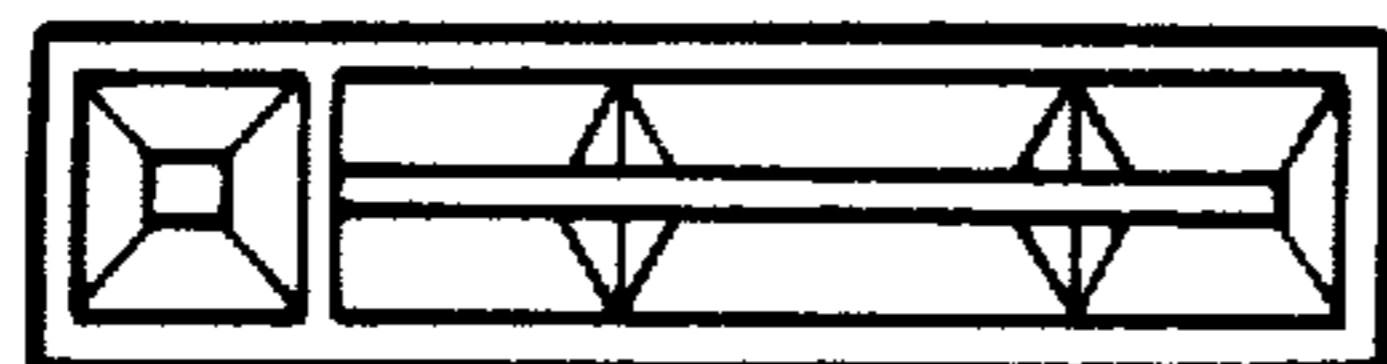
FIG. 2 is a front view thereof;

FIG. 3 is a left side view thereof;

FIG. 4 is a right side view thereof;

FIG. 5 is a bottom plan view thereof; and

FIG. 6 is a rear view thereof.



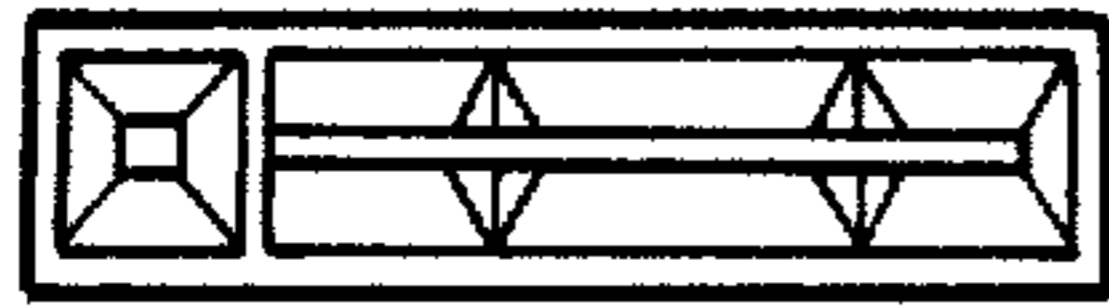


Fig-1

Fig-2

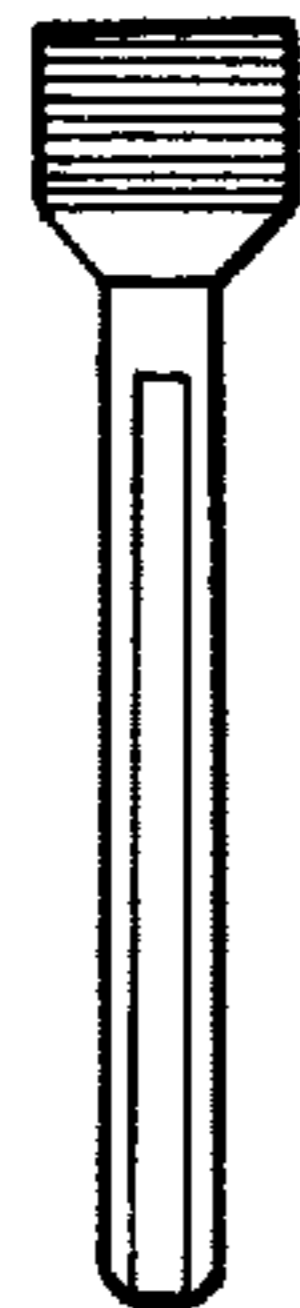
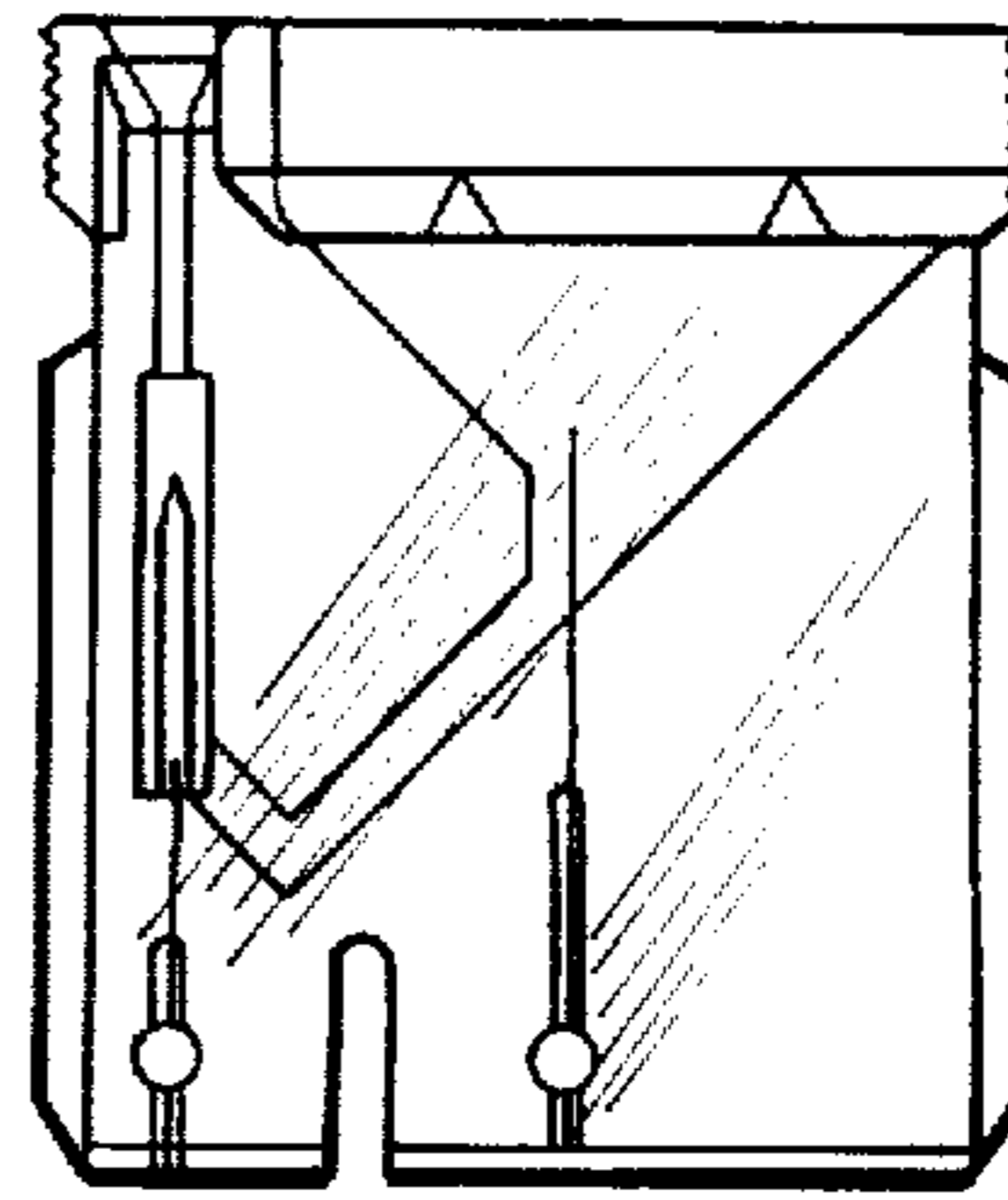


Fig-3

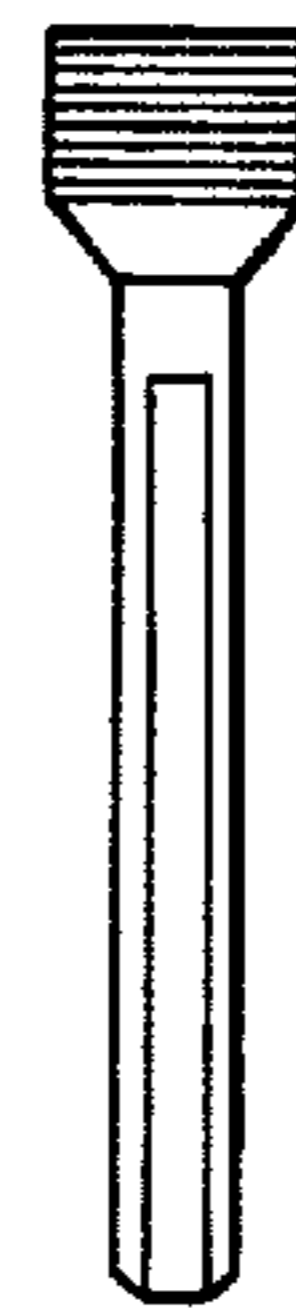


Fig-4

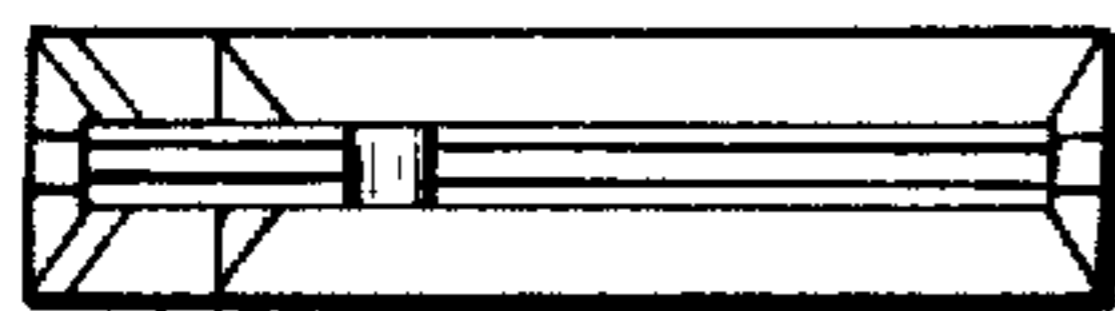


Fig-5

Fig-6

