

[54] TRACTION TABLE

[75] Inventors: Robert R. Walper; Frederick R. Wilkes, both of Sarasota, Fla.

[73] Assignee: Walper Corporation, Sarasota, Fla.

[**] Term: 14 Years

[21] Appl. No.: 227,613

[22] Filed: Jan. 23, 1981

[51] Int. Cl. D24-01

[52] U.S. Cl. D24/03; D21/194; 128/71

[58] Field of Search 128/70, 71, 72, 73, 128/74, 75; 269/322, 323, 325; D21/194, 195; 272/144, 145; D24/1.1, 3

[56] References Cited

U.S. PATENT DOCUMENTS

D. 240,867	8/1976	Blumberg	D24/3
D. 248,406	7/1978	Hodge	D24/3
D. 251,320	3/1979	Brentham	D21/195
3,570,479	3/1971	Horn	128/71
3,765,411	10/1973	Ward, Jr.	128/84 C
4,144,880	3/1979	Daniels	128/71
4,232,662	11/1980	Barber	272/144 X

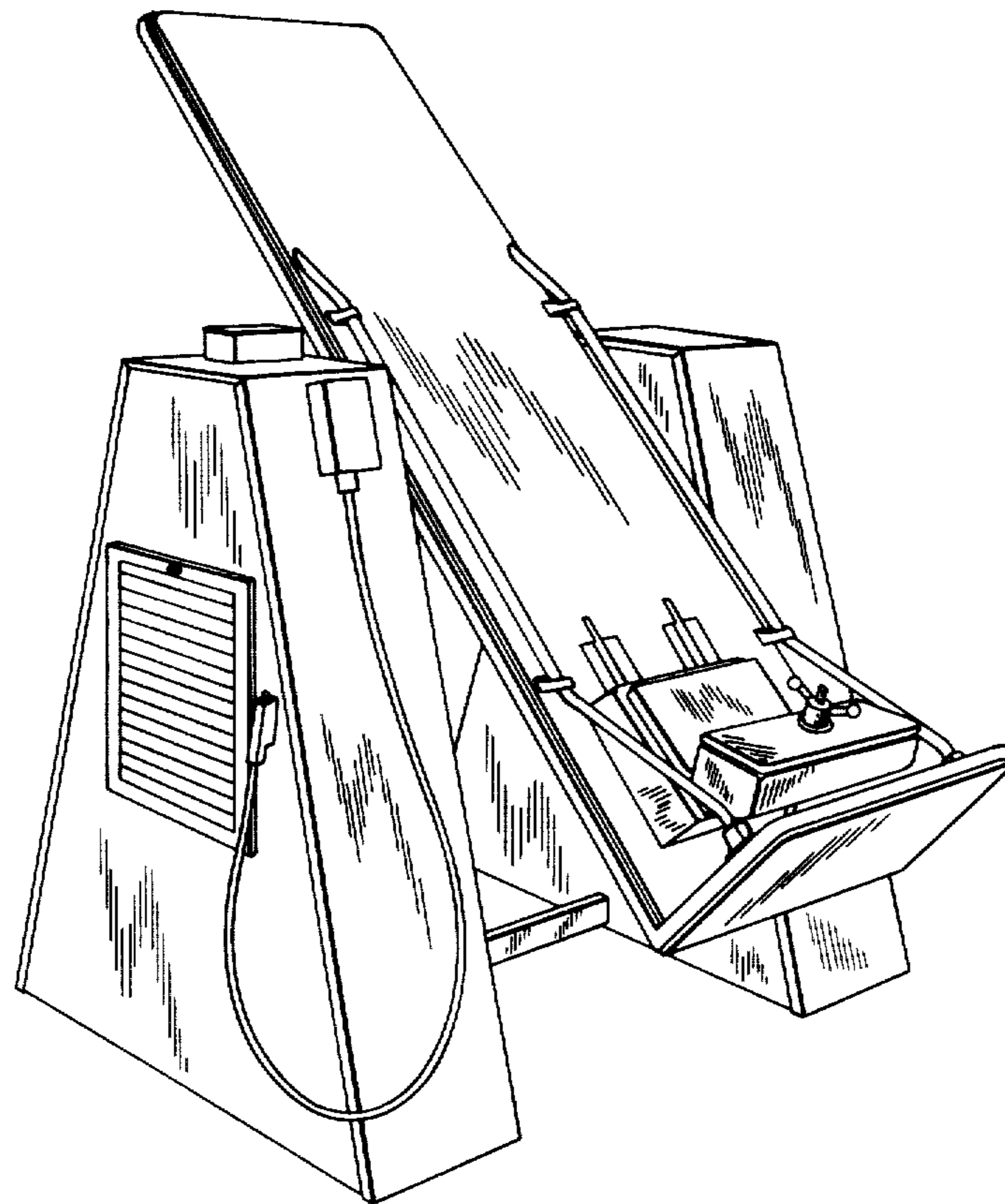
Primary Examiner—Bernard Ansher
Attorney, Agent, or Firm—John T. Lanahan

[57] CLAIM

The ornamental design for a traction table, as shown and described.

DESCRIPTION

FIG. 1 is a front perspective view of a traction table showing our new design;
FIG. 2 is a side view of a traction table showing our new design; and
FIG. 3 is a rear view of a traction table showing our new design.



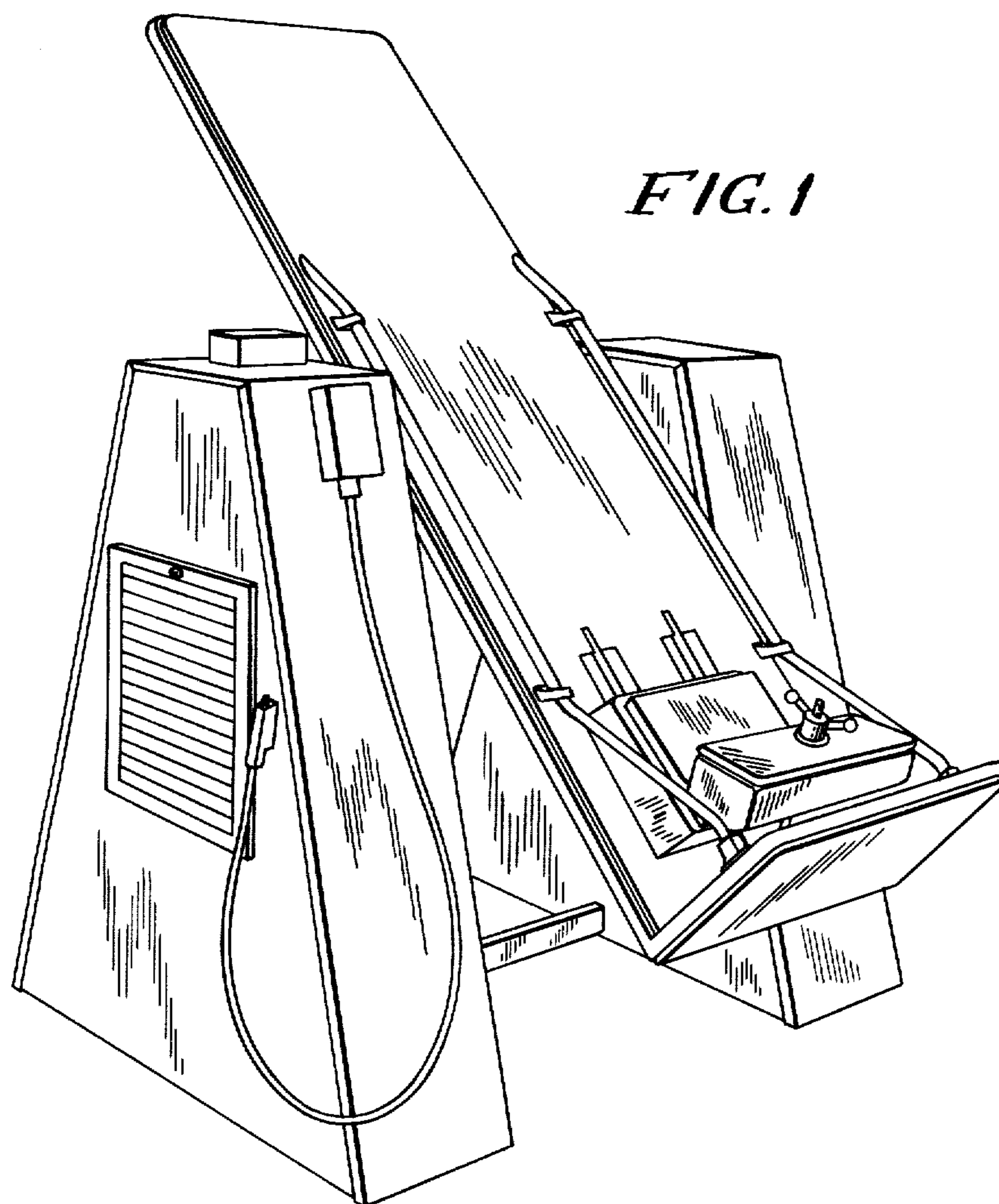


FIG. 1

FIG. 2

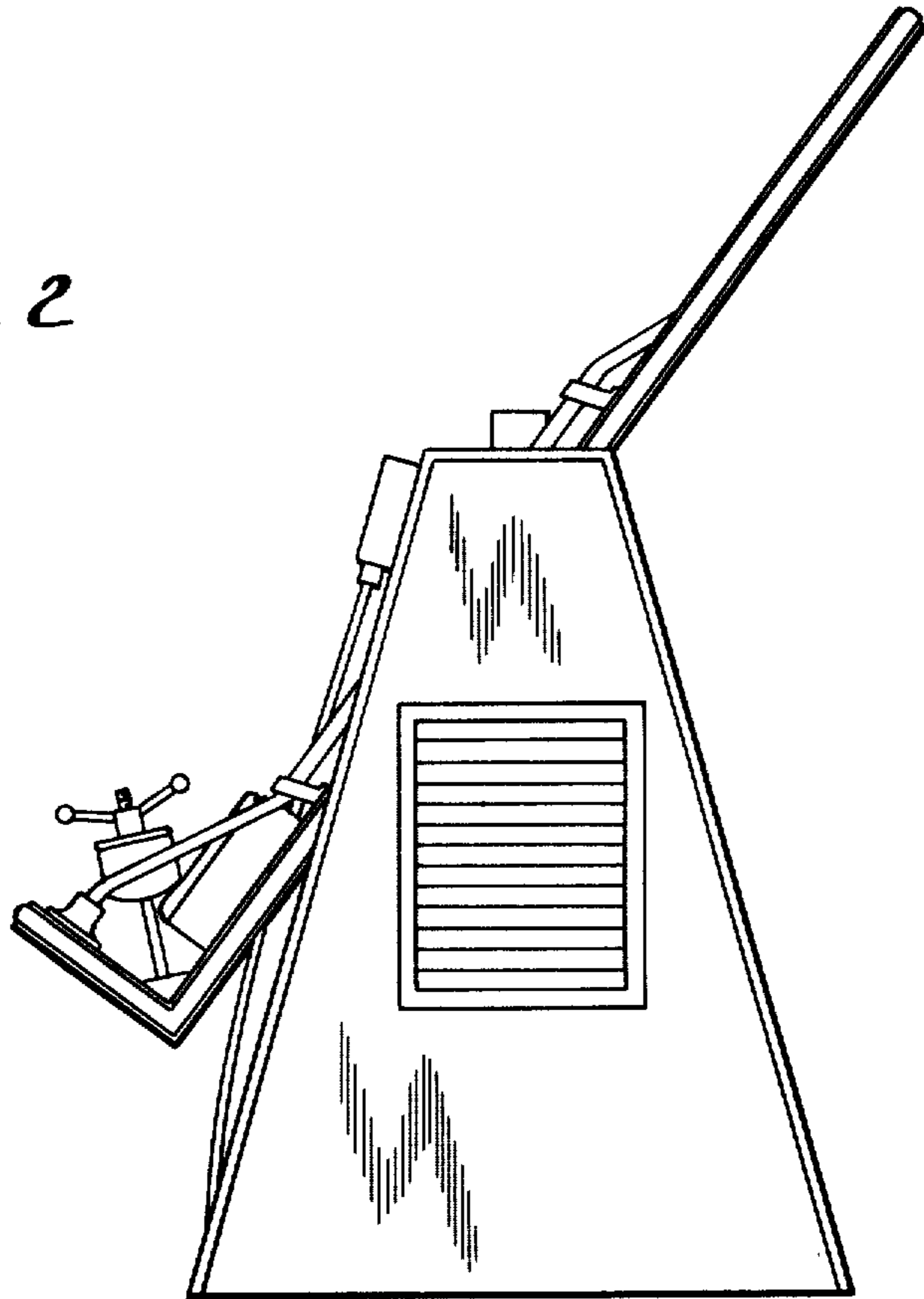


FIG. 3

