

[54] **PLAYGROUND SEE-SAW**

[76] **Inventors:** **Roland H. Sinfield**, 96 S. 360 West; **A. Neil Grose**, 111 E. 100 South, both of Morgan, Utah 84050

[\*\*] **Term:** **14 Years**

[21] **Appl. No.:** **242,198**

[22] **Filed:** **Mar. 10, 1981**

[51] **Int. Cl.** ..... **D21-03**

[52] **U.S. Cl.** ..... **D21/251**

[58] **Field of Search** ..... **D21/251; 272/54**

[56] **References Cited**

**U.S. PATENT DOCUMENTS**

D. 58,506 7/1921 Schaller ..... D21/251  
1,552,841 9/1925 Hector ..... 272/54

**OTHER PUBLICATIONS**

Game-Time Cat. 966, 1965, p. 13, top, see-saws.

*Primary Examiner*—Melvin B. Feifer

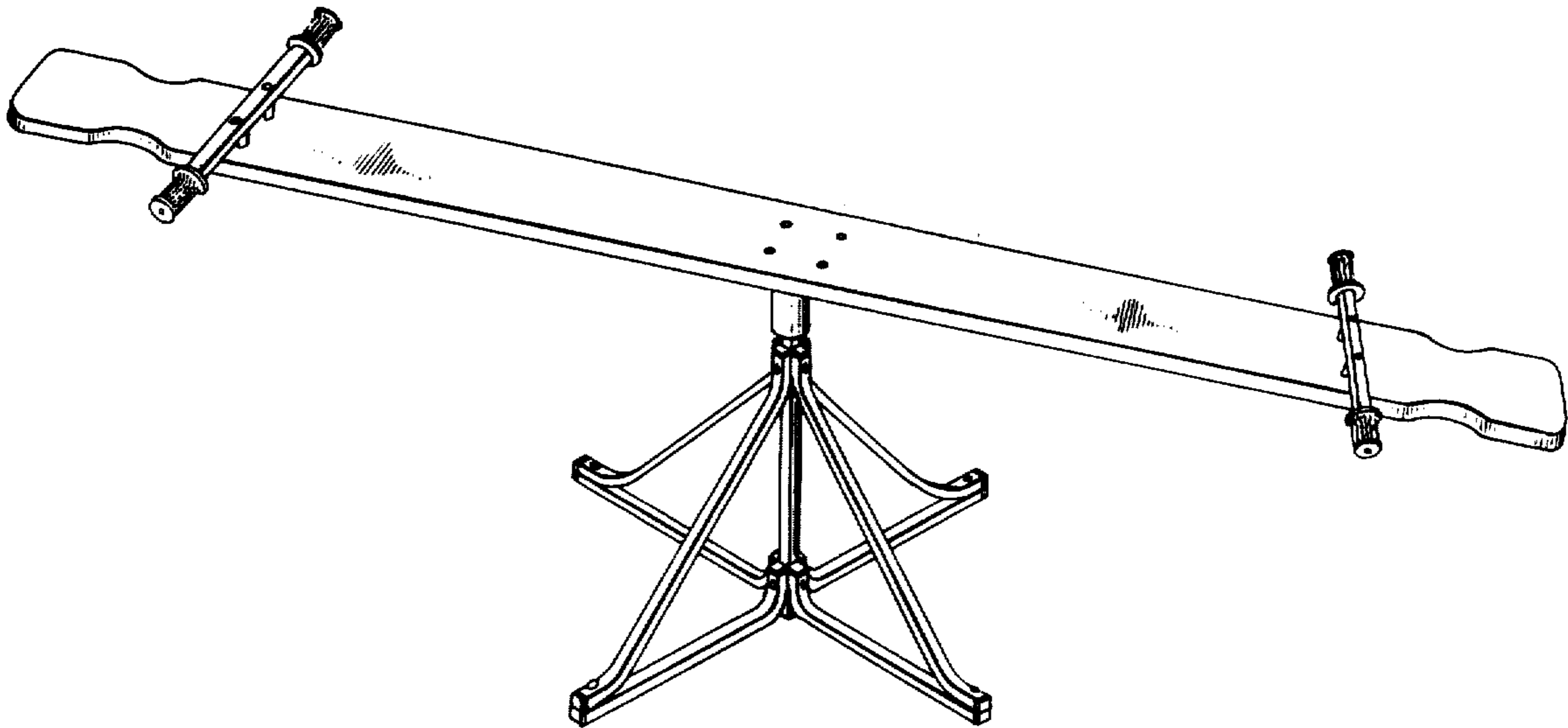
*Attorney, Agent, or Firm*—J. Winslow Young; H. Ross Workman; Allen R. Jensen

[57] **CLAIM**

The ornamental design for a playground see-saw, as shown and described.

**DESCRIPTION**

FIG. 1 is a perspective view of a playground see-saw showing our new design; and FIG. 2 is an elevational view thereof.



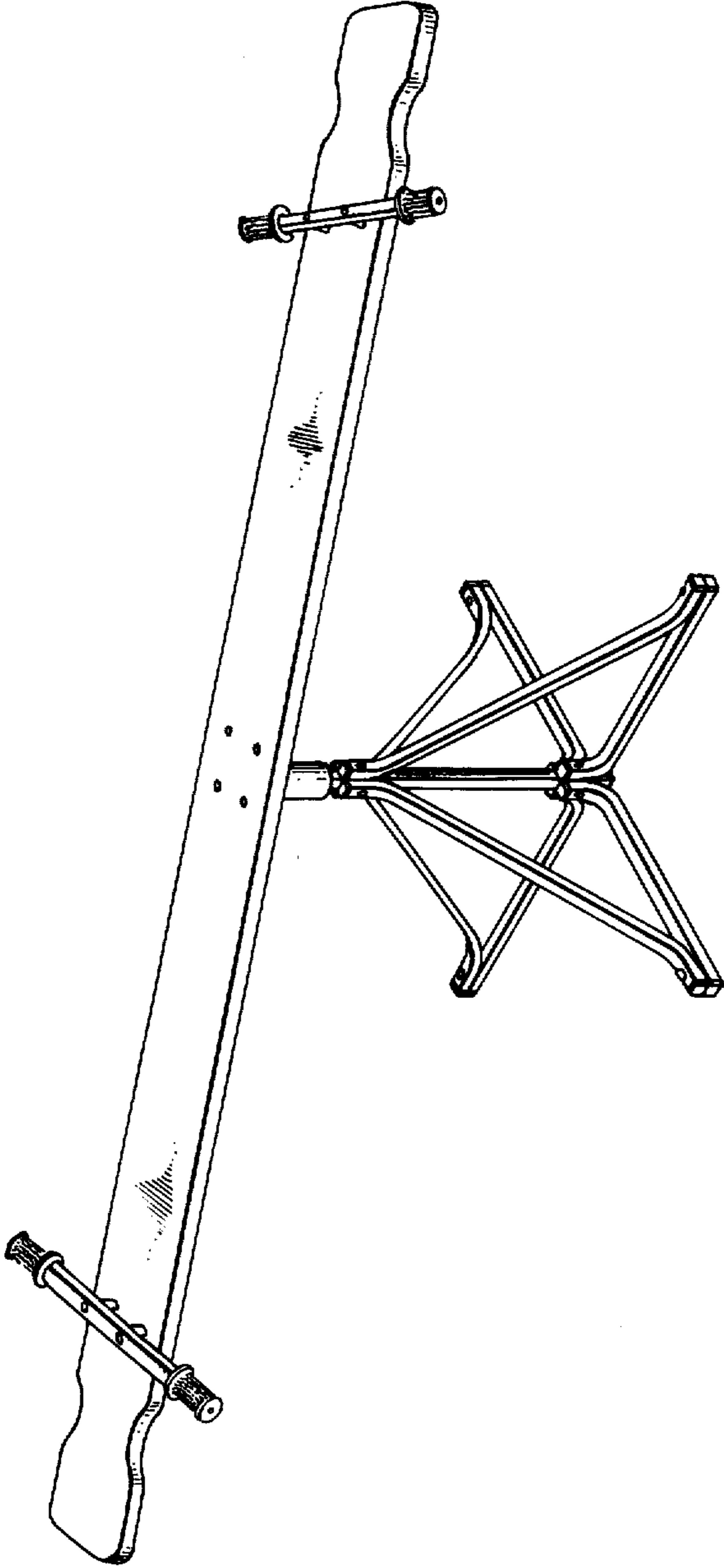


Fig. 1

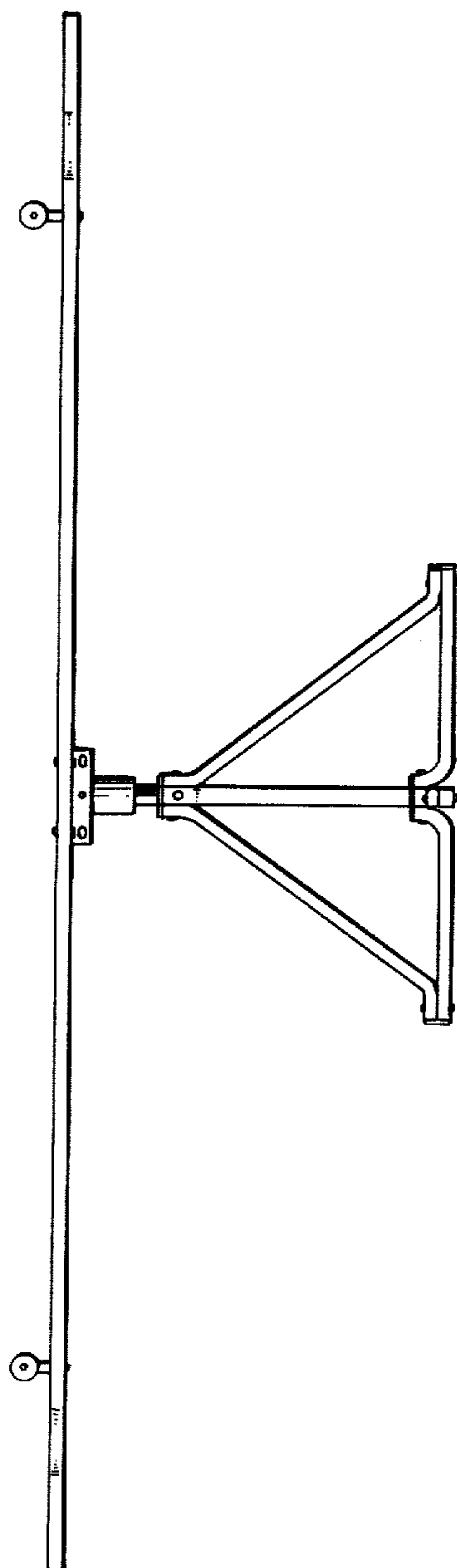


Fig. 2