

[54] GOLF PUTTER HEAD

[75] Inventor: Richard B. C. Tucker, Baltimore, Md.

[73] Assignee: STX, Inc., Baltimore, Md.

[**] Term: 14 Years

[21] Appl. No.: 227,804

[22] Filed: Jan. 23, 1981

[51] Int. Cl. D21-02

[52] U.S. Cl. D21/219

[58] Field of Search D21/214-220;
273/163 R, 164, 167-175

[56] References Cited

U.S. PATENT DOCUMENTS

- D. 196,736 10/1963 De Carlo D21/217
- D. 213,507 3/1969 Koenig D21/217
- D. 228,003 7/1973 Warner D21/219

- D. 230,873 3/1974 Cicero D21/219
- 3,917,277 11/1975 Beck et al. 273/163 R

Primary Examiner—Melvin B. Feifer
Attorney, Agent, or Firm—A. W. Breiner

[57] CLAIM

The ornamental design for a golf putter head, as shown.

DESCRIPTION

FIG. 1 is a front perspective view of the golf putter head;
 FIG. 2 is an elevational view from the right side of the golf putter head;
 FIG. 3 is an elevational view from the left side of the golf putter head;
 FIG. 4 is a front elevational view of the golf putter head;
 FIG. 5 is a rear elevational view of the golf putter head;
 FIG. 6 is a top plan view of the golf putter head; and
 FIG. 7 is a bottom plan view of the golf putter head.

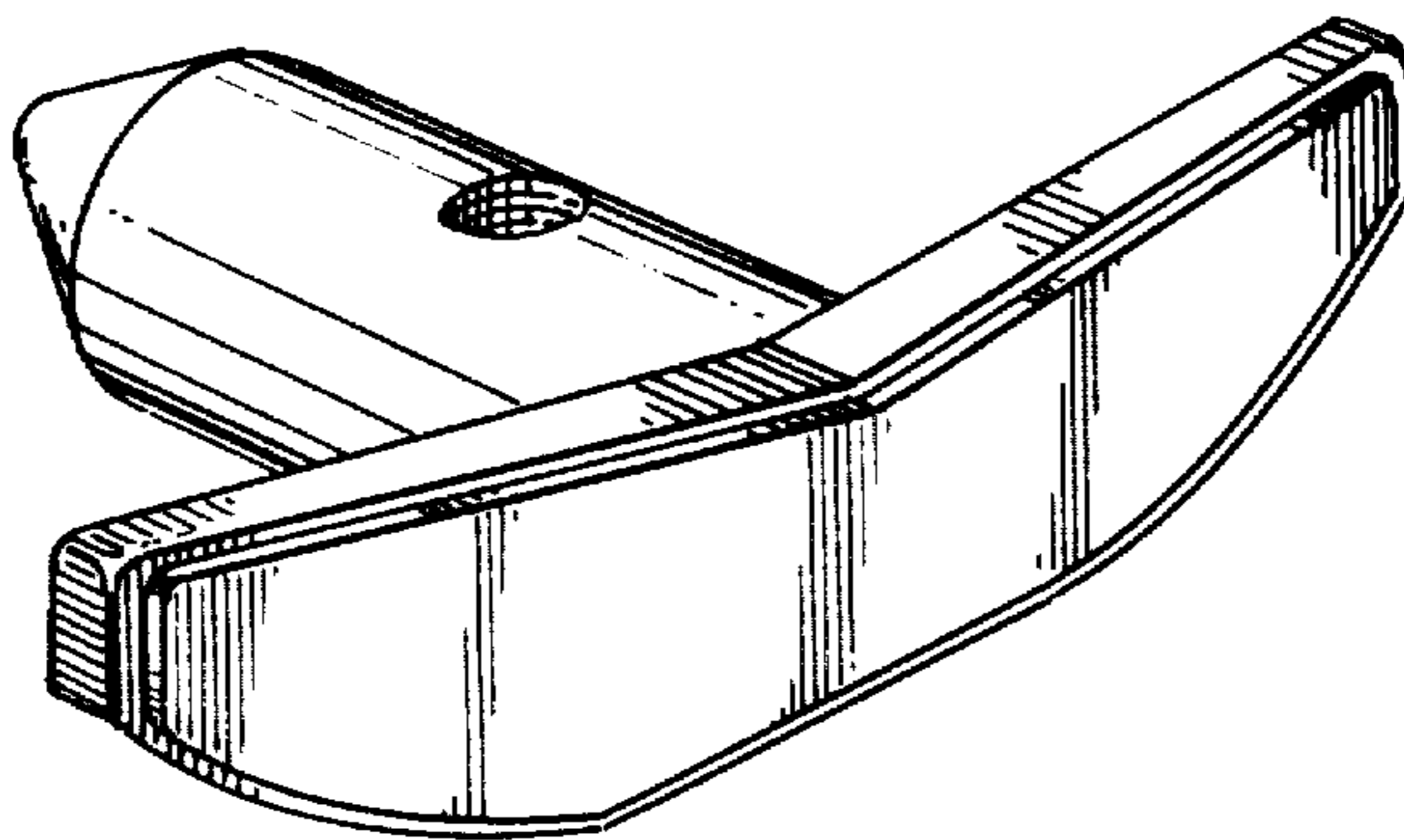


FIG. 1

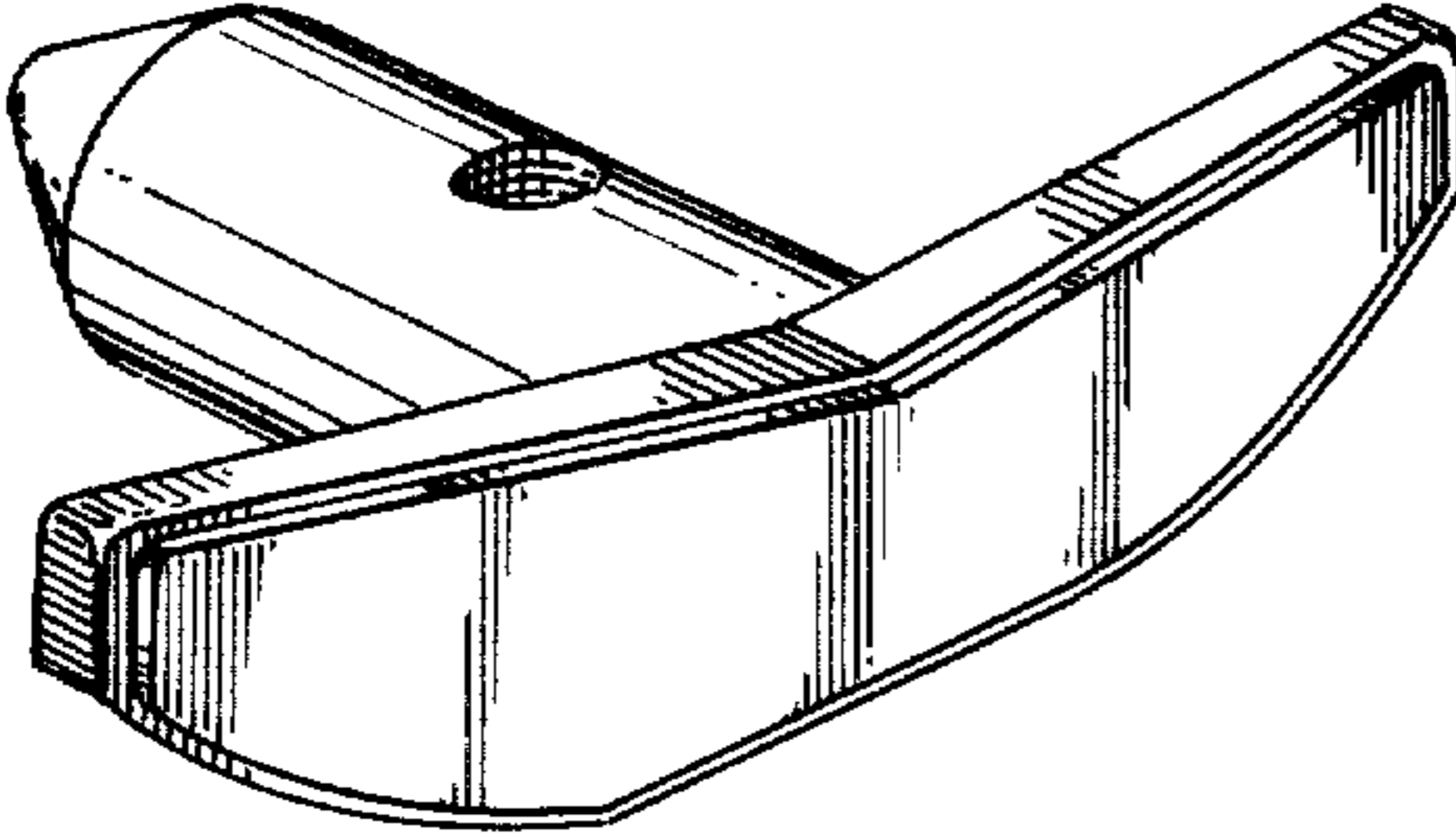


FIG. 2

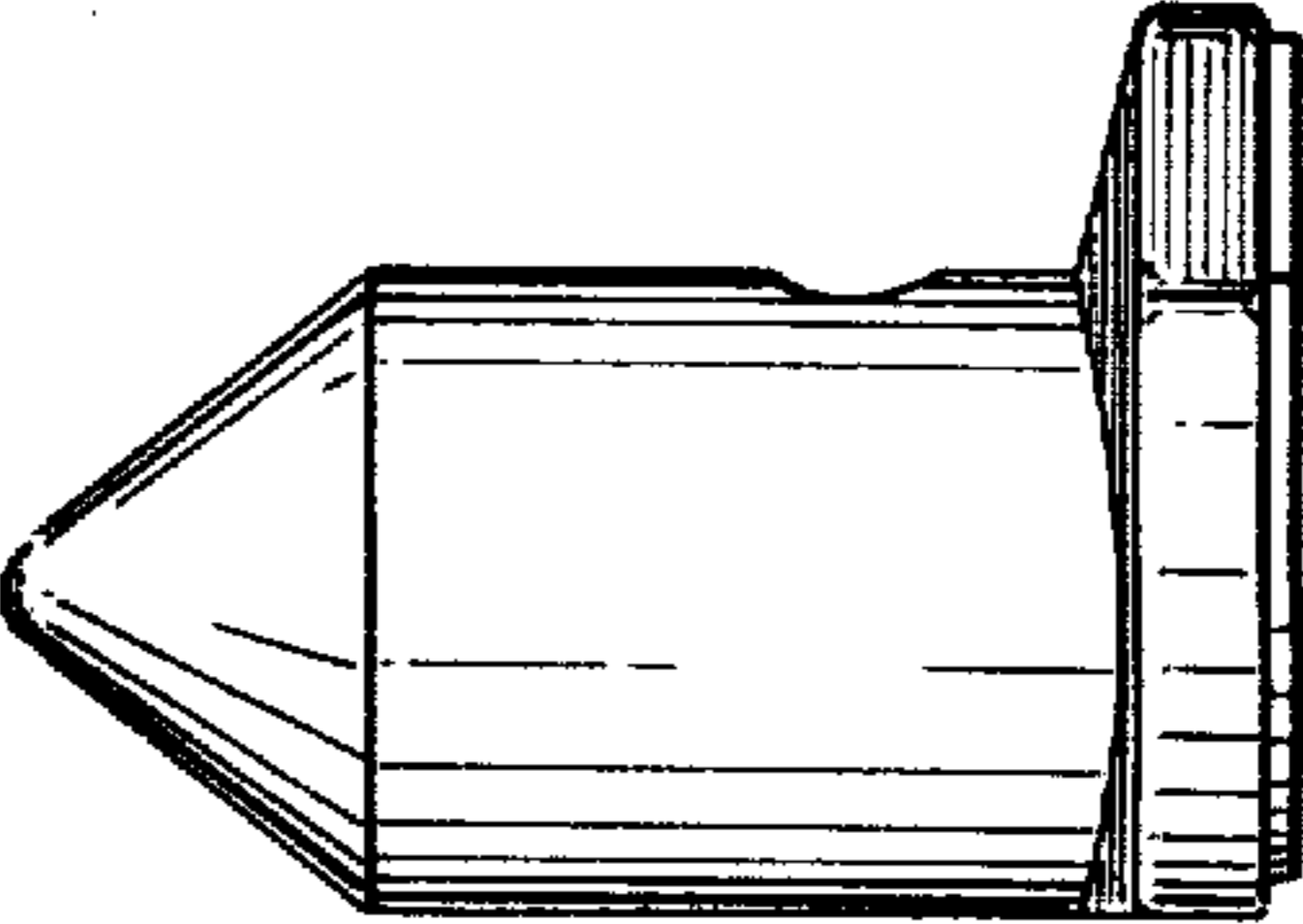


FIG. 4

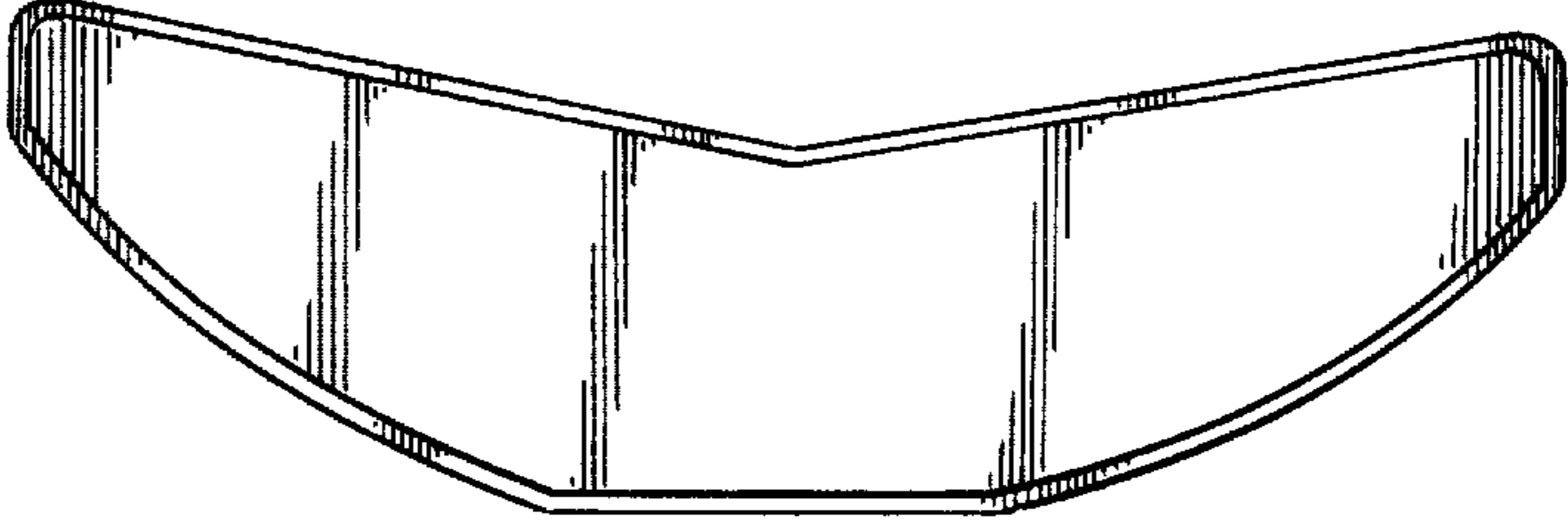


FIG. 3

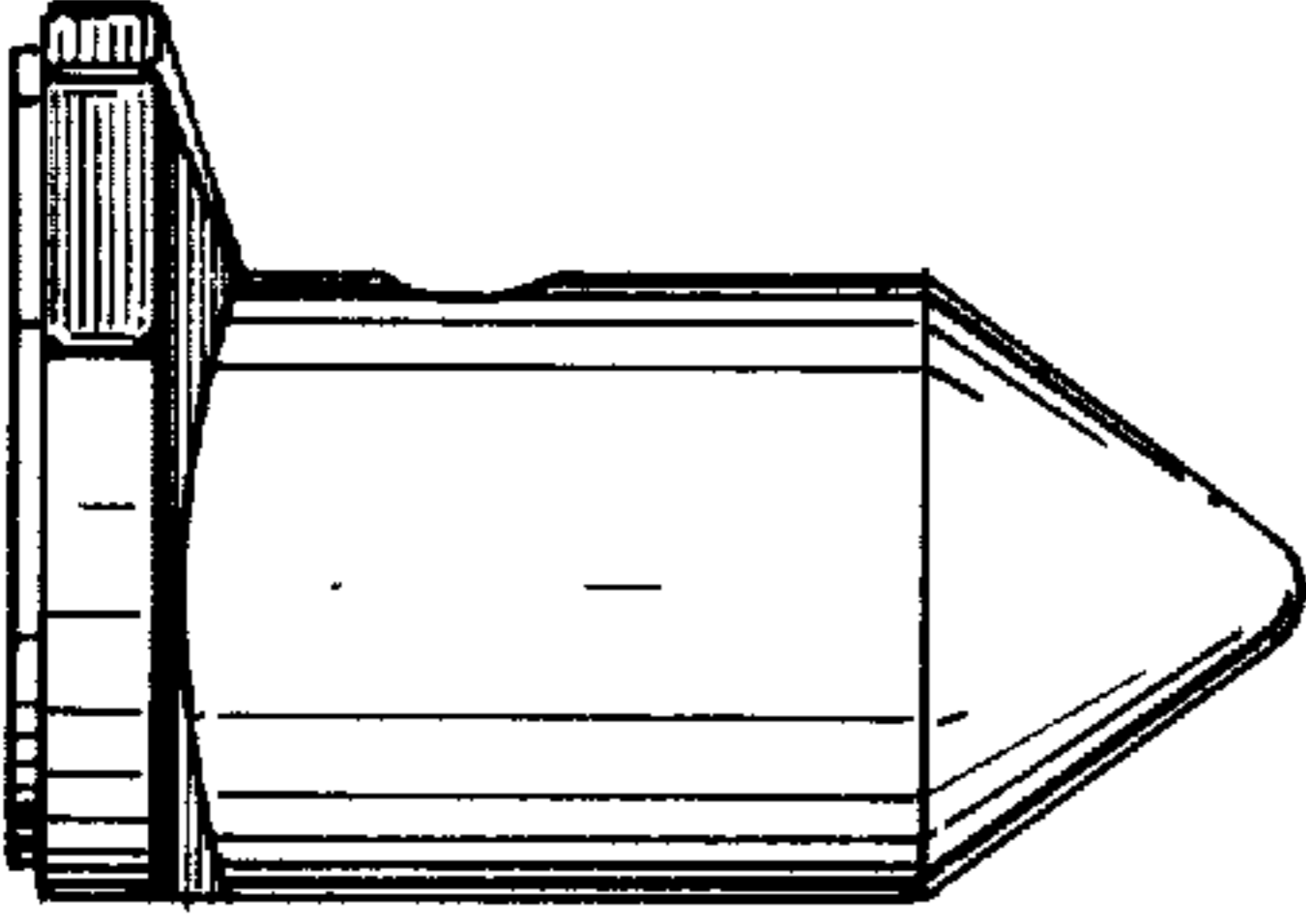


FIG. 5

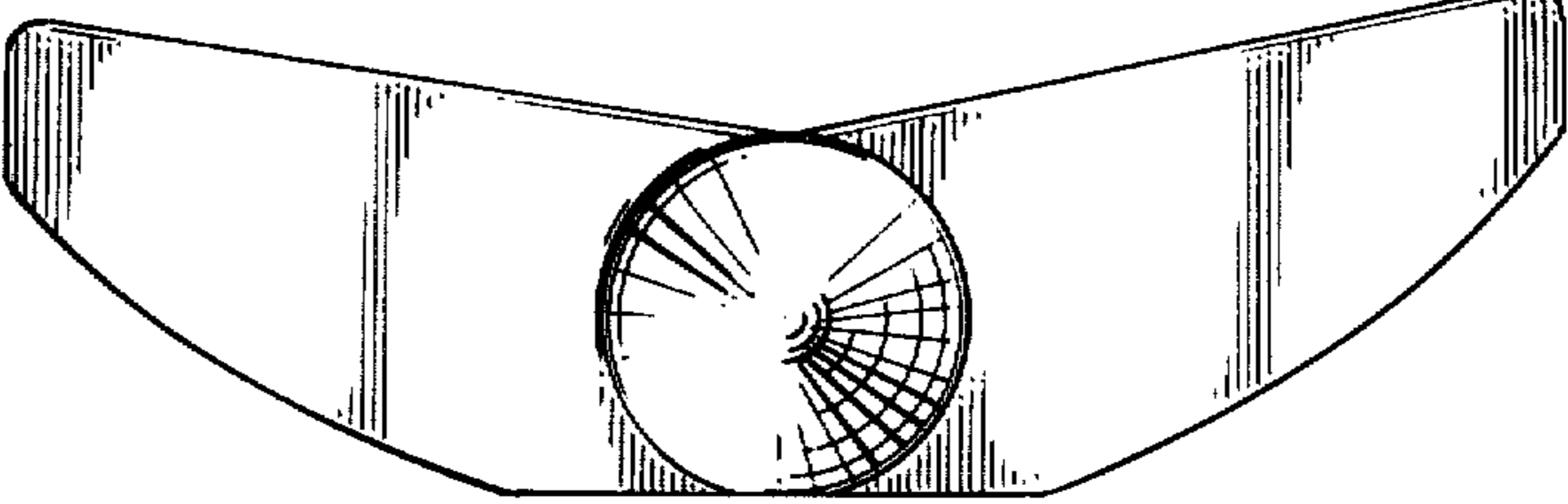


FIG. 6

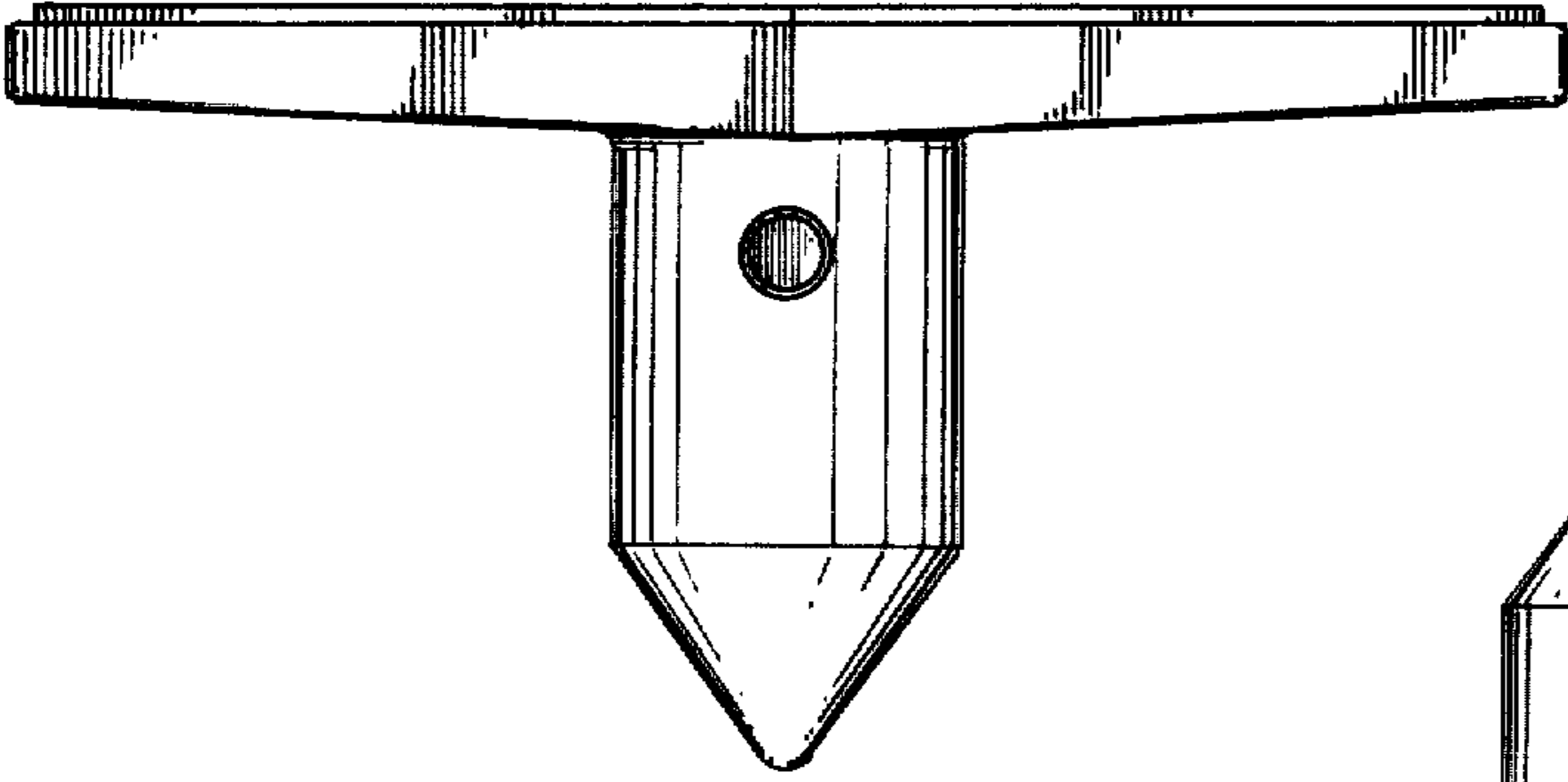


FIG. 7

