

[54] ROLLING TOY

[75] Inventors: **Richard A. Chase; Danny E. Simpson,**  
both of Baltimore, Md.; **D. Michael**  
**Williams,** New York, N.Y.

[73] Assignee: **Johnson & Johnson Baby Products**  
**Company,** New Brunswick, N.J.

[\*\*] Term: **14 Years**

[21] Appl. No.: **202,388**

[22] Filed: **Oct. 30, 1980**

[51] Int. Cl. .... **D21-01**

[52] U.S. Cl. .... **D21/64; D21/59**

[58] Field of Search .... **D21/64, 92, 98, 65,**  
**D21/102, 59; 46/1 R, 174, 191, 47, 52, 64**

[56] **References Cited**

**U.S. PATENT DOCUMENTS**

D. 138,359	7/1944	Rapaport	.....	D21/92
D. 155,939	11/1949	Szantay	.....	D21/92
D. 157,464	2/1950	Biggs	.....	D21/92
D. 246,482	11/1977	Margaretha	.....	D21/64
822,628	6/1906	Philippart	.....	D21/98

*Primary Examiner*—Charles A. Rademaker  
*Attorney, Agent, or Firm*—Jason Lipow

[57] **CLAIM**

The ornamental design for the rolling toy, substantially as shown and described.

**DESCRIPTION**

FIG. 1 is a front perspective view of a rolling toy showing our new design;  
FIG. 2 is a left side elevational view thereof;  
FIG. 3 is a right side elevational view thereof; and,  
FIG. 4 is a front elevational view thereof, the side opposite being substantially a mirror image.

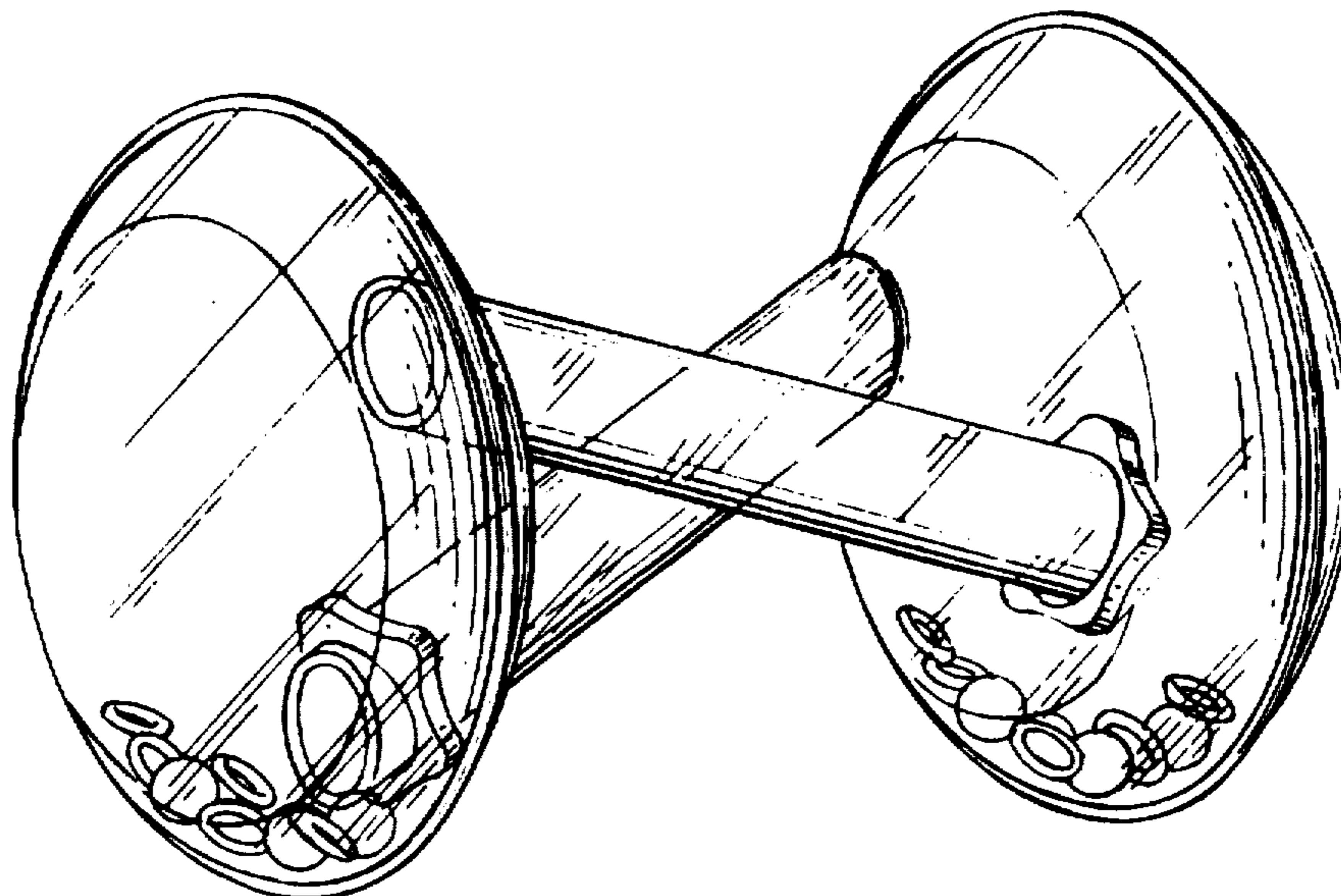


Fig. 1.

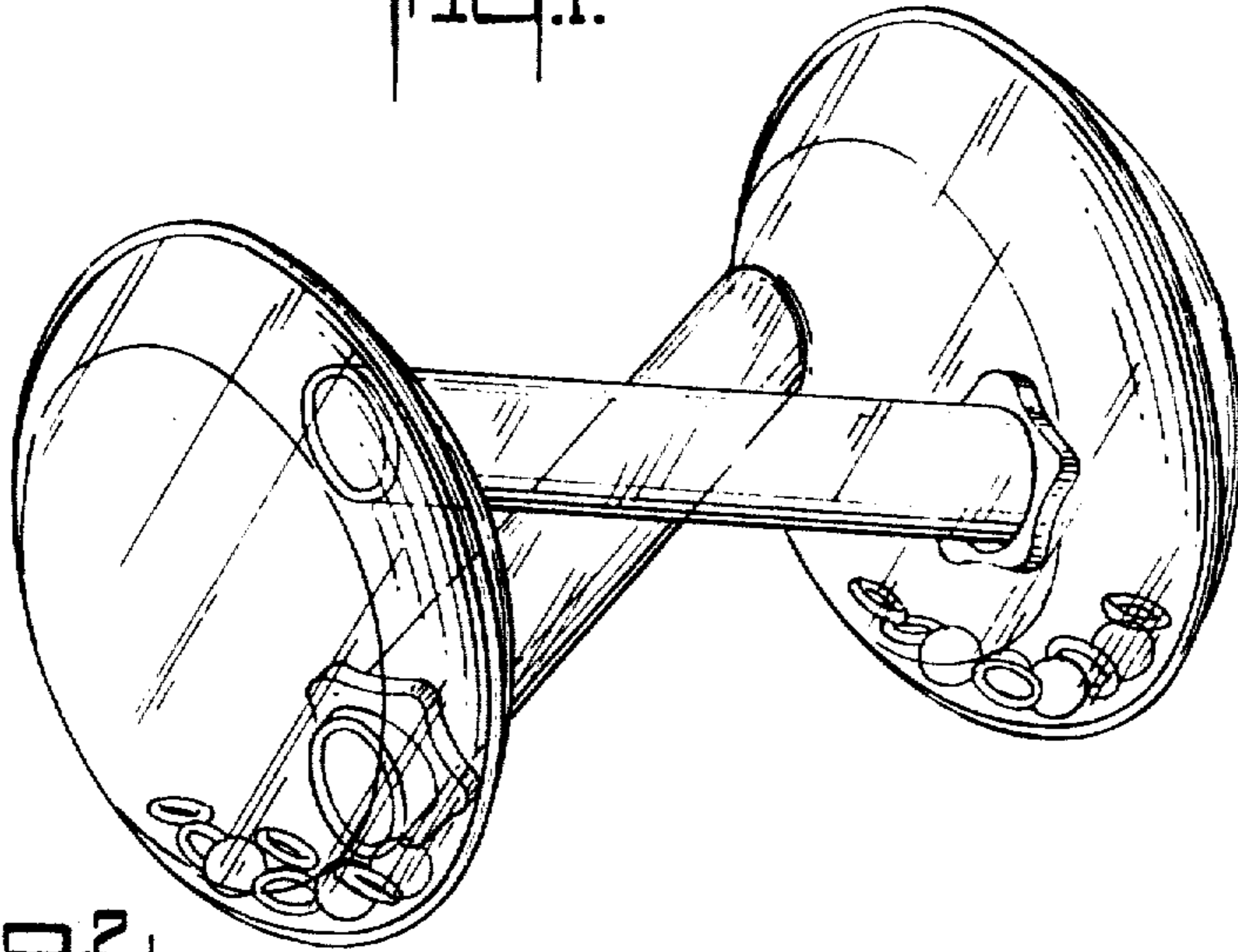


Fig. 2.

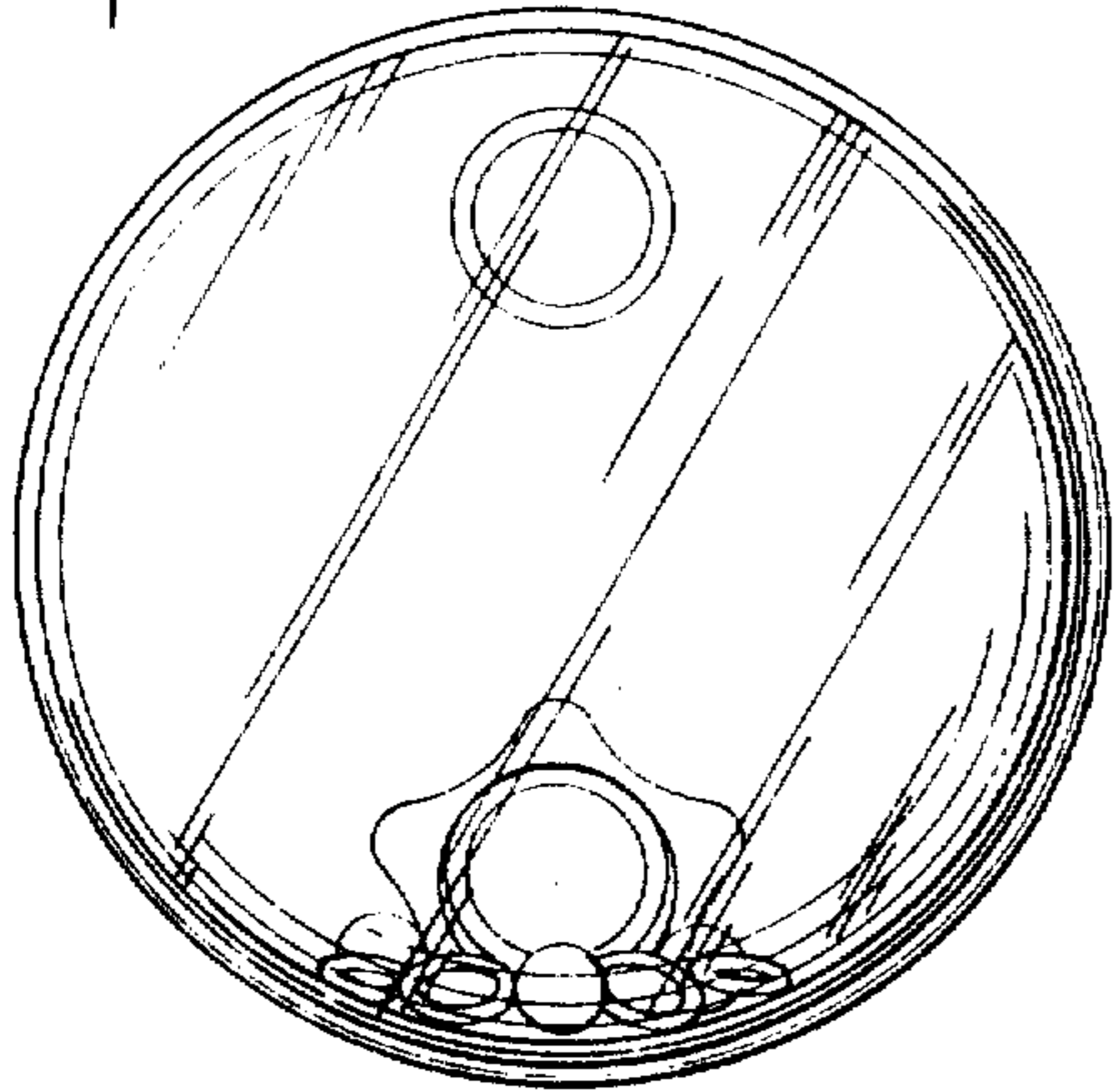


Fig. 3.

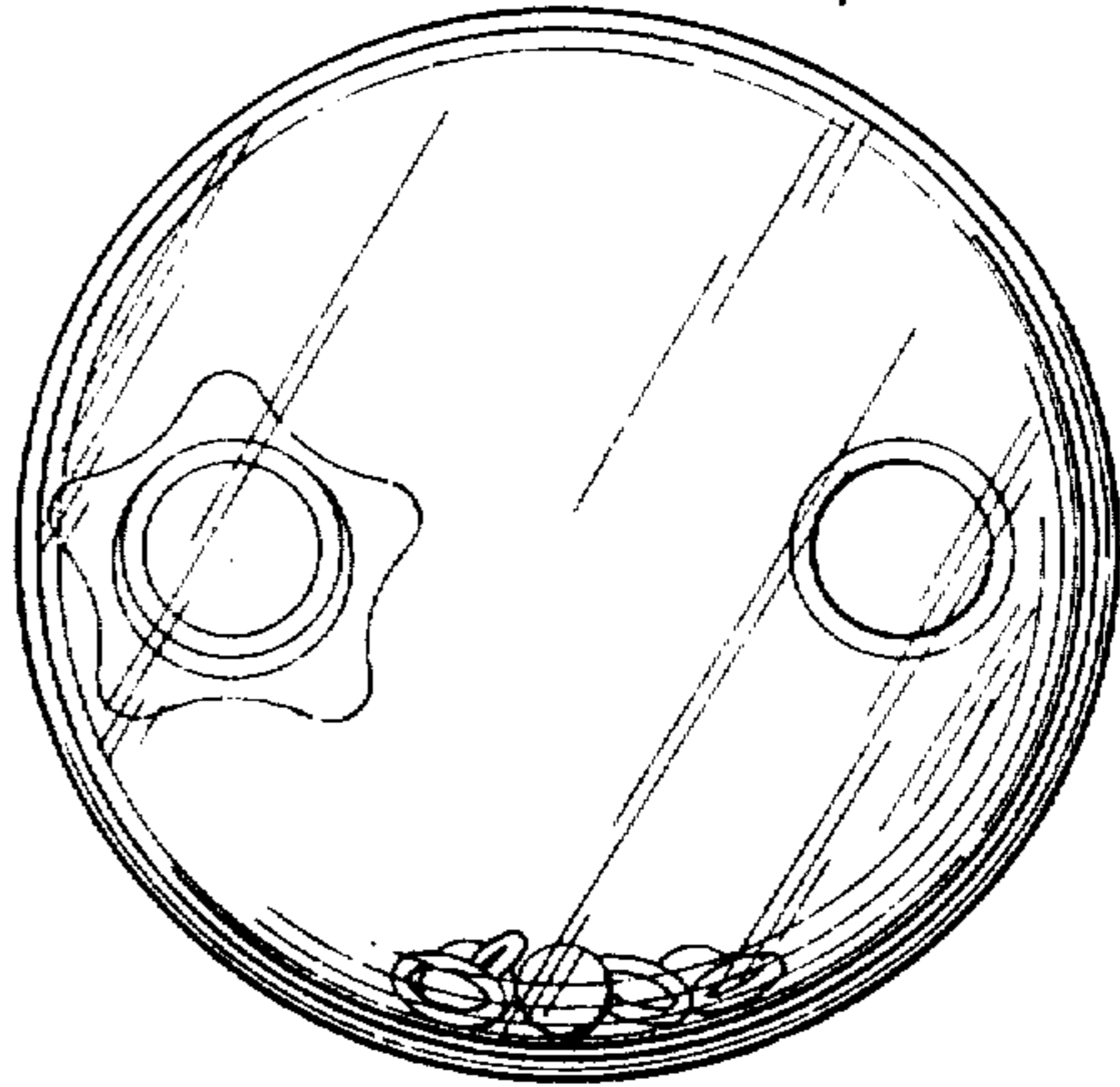


Fig. 4.

