

[54] **FORMS ACCUMULATOR SHELF FOR A PRINTER**

[75] **Inventor: Eugene K. Sokolowski, Chicago, Ill.**

[73] **Assignee: Teletype Corporation, Skokie, Ill.**

[**] **Term: 14 Years**

[21] **Appl. No.: 239,782**

[22] **Filed: Mar. 2, 1981**

[51] **Int. Cl. D18-99**

[52] **U.S. Cl. D18/22; D16/32;
271/224**

[58] **Field of Search D18/13, 22, 23, 99;
D14/111; D16/32; 400/613, 613.2, 624, 625;
271/207, 220, 224**

[56] **References Cited**

U.S. PATENT DOCUMENTS

D. 218,538 8/1970 Bixler et al. D14/111
D. 250,765 1/1979 Smith D16/32
2,014,939 9/1935 Lake 400/613.2
4,300,757 11/1981 Koiso et al. 271/207

OTHER PUBLICATIONS

Datamation, Jul. 1974, p. 33—Form Shelf on Printer at bottom left.

Primary Examiner—Louis S. Zarfes

Attorney, Agent, or Firm—W. K. Serp; J. C. Albrecht

[57] **CLAIM**

The ornamental design for a forms accumulator shelf for a printer, substantially as shown and described.

DESCRIPTION

FIG. 1 is a perspective view of a forms accumulator shelf for a printer showing my new design.

FIG. 2 is a right side elevational view thereof.

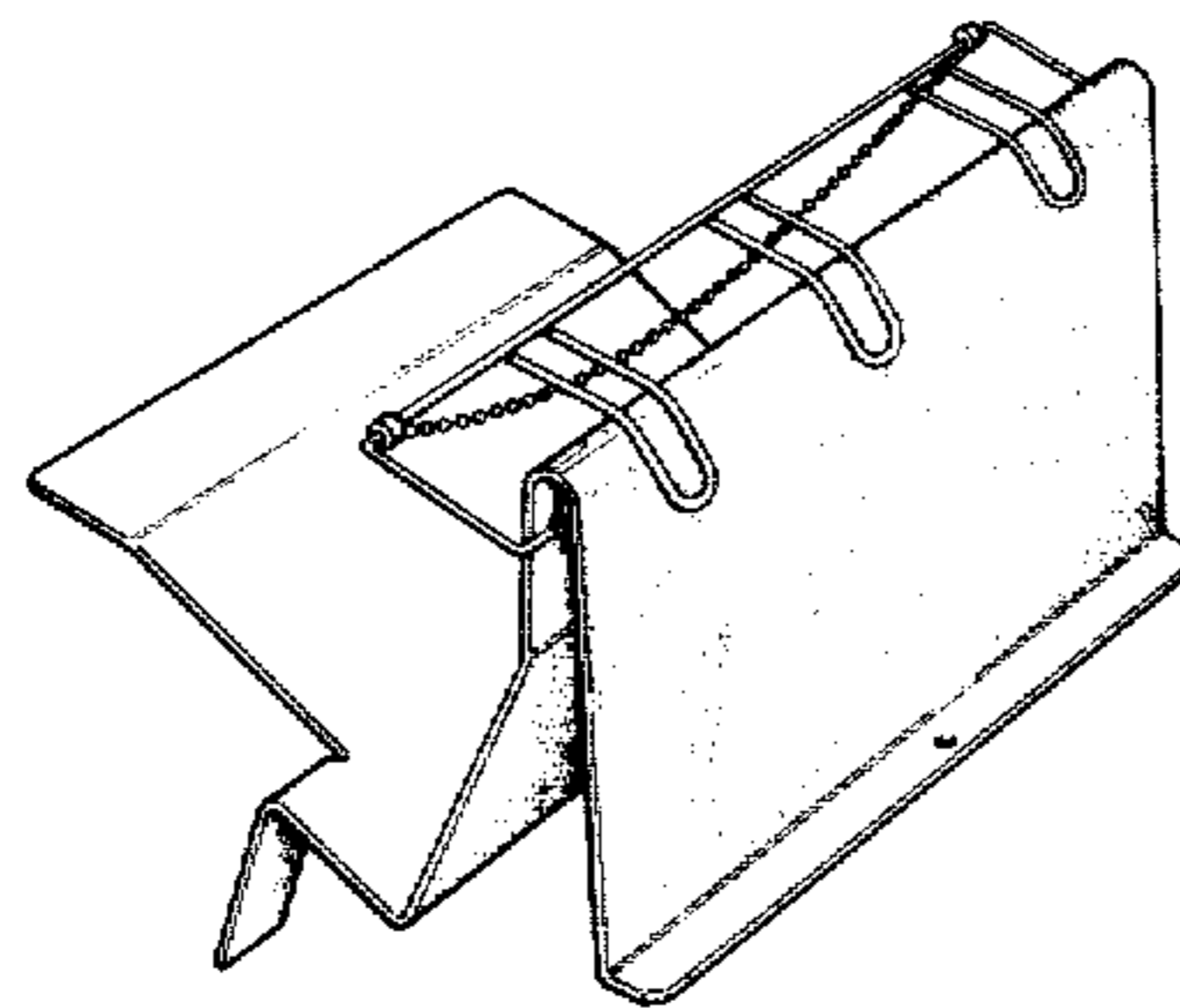


FIG. 1

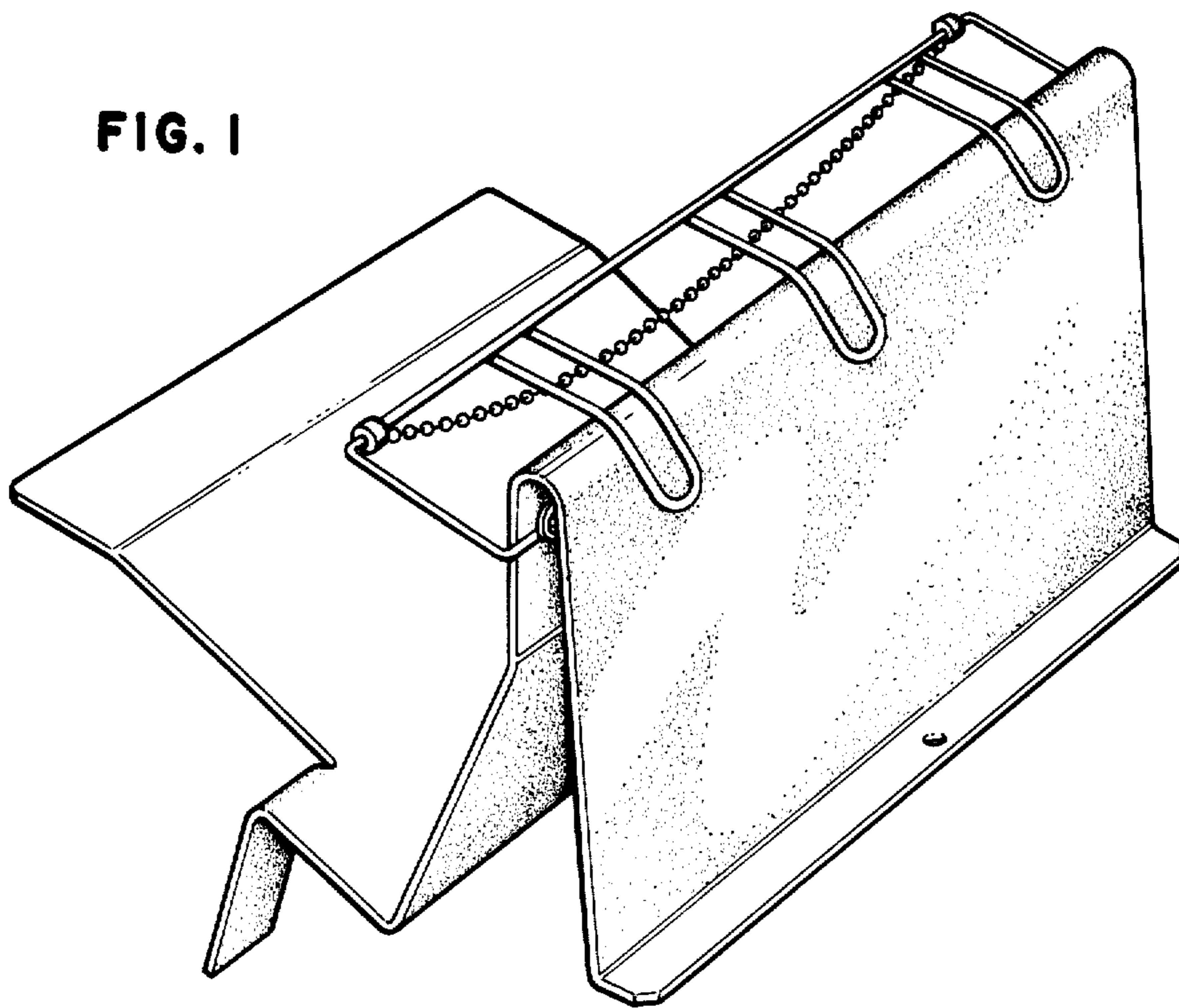


FIG. 2

