

[54] LABEL PRINTING AND APPLYING APPARATUS

[75] Inventor: Günter Holland-Letz, Hirschhorn, Fed. Rep. of Germany

[73] Assignee: Esselte Pendaflex Corporation, Garden City, N.Y.

[\*\*] Term: 14 Years

[21] Appl. No.: 218,723

[22] Filed: Dec. 22, 1980

[30] Foreign Application Priority Data

Jun. 26, 1980 [DE] Fed. Rep. of Germany ..... URA 679/80

[51] Int. Cl. .... D18-99

[52] U.S. Cl. .... D18/19

[58] Field of Search ..... D18/14, 19, 22, 99; 101/288; 156/384, DIG. 48, DIG. 49

[56] References Cited

U.S. PATENT DOCUMENTS

D. 228,364	9/1973	Lee	.....	D18/19
4,072,105	2/1978	Becker et al.	.....	156/384 X
4,207,816	6/1980	Sato	.....	101/288 X
4,288,276	9/1981	Schrotz et al.	.....	101/288 X

OTHER PUBLICATIONS

*Gifts & Decorative Accessories*, 7/73, p. 268-Hand Pricers at bottom center.

Primary Examiner—Louis S. Zarfes  
Attorney, Agent, or Firm—Gerald J. Ferguson, Jr.;  
Joseph J. Baker; C. Lamont Whitham

[57] CLAIM

The ornamental design for a label printing and applying apparatus, as shown and described.

DESCRIPTION

FIG. 1 is an isometric view of a label printing and applying apparatus showing my new design.  
FIG. 2 is a side elevational view thereof.  
FIG. 3 is a bottom plan view thereof in the direction of arrow III in FIG. 2.  
FIG. 4 is a front elevational view thereof in the direction of arrow IV in FIG. 2.

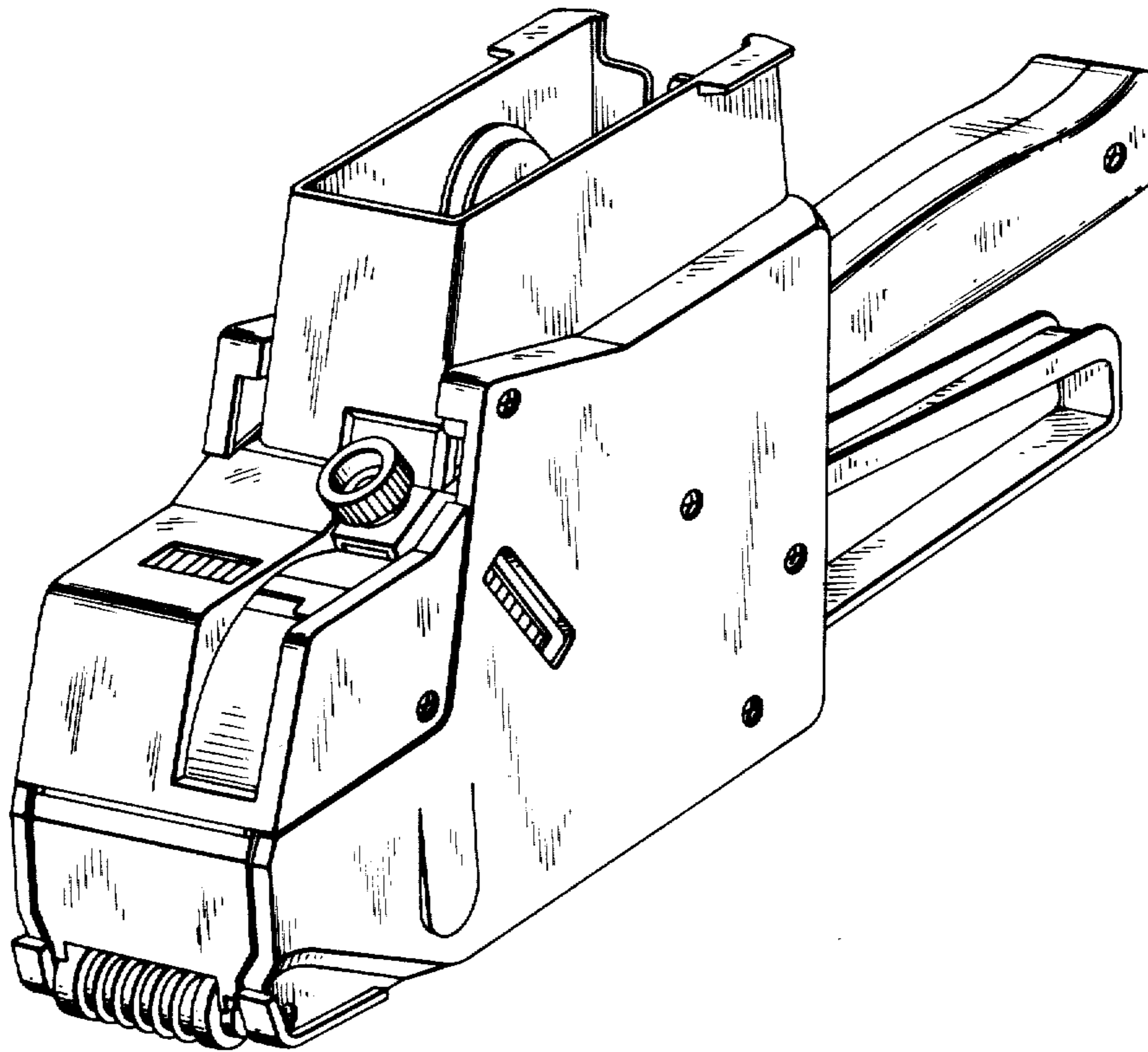


FIG. 1

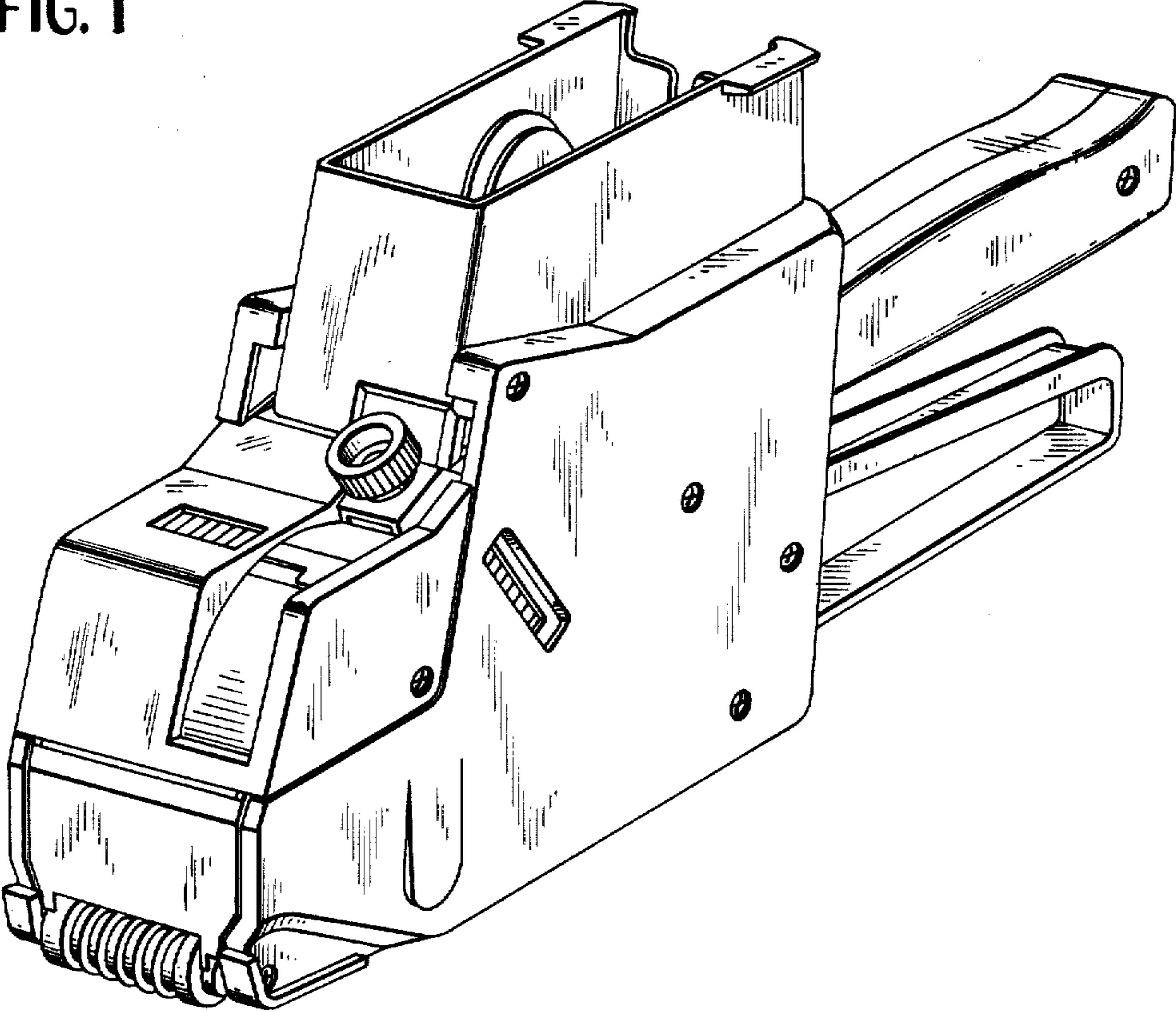


FIG. 4

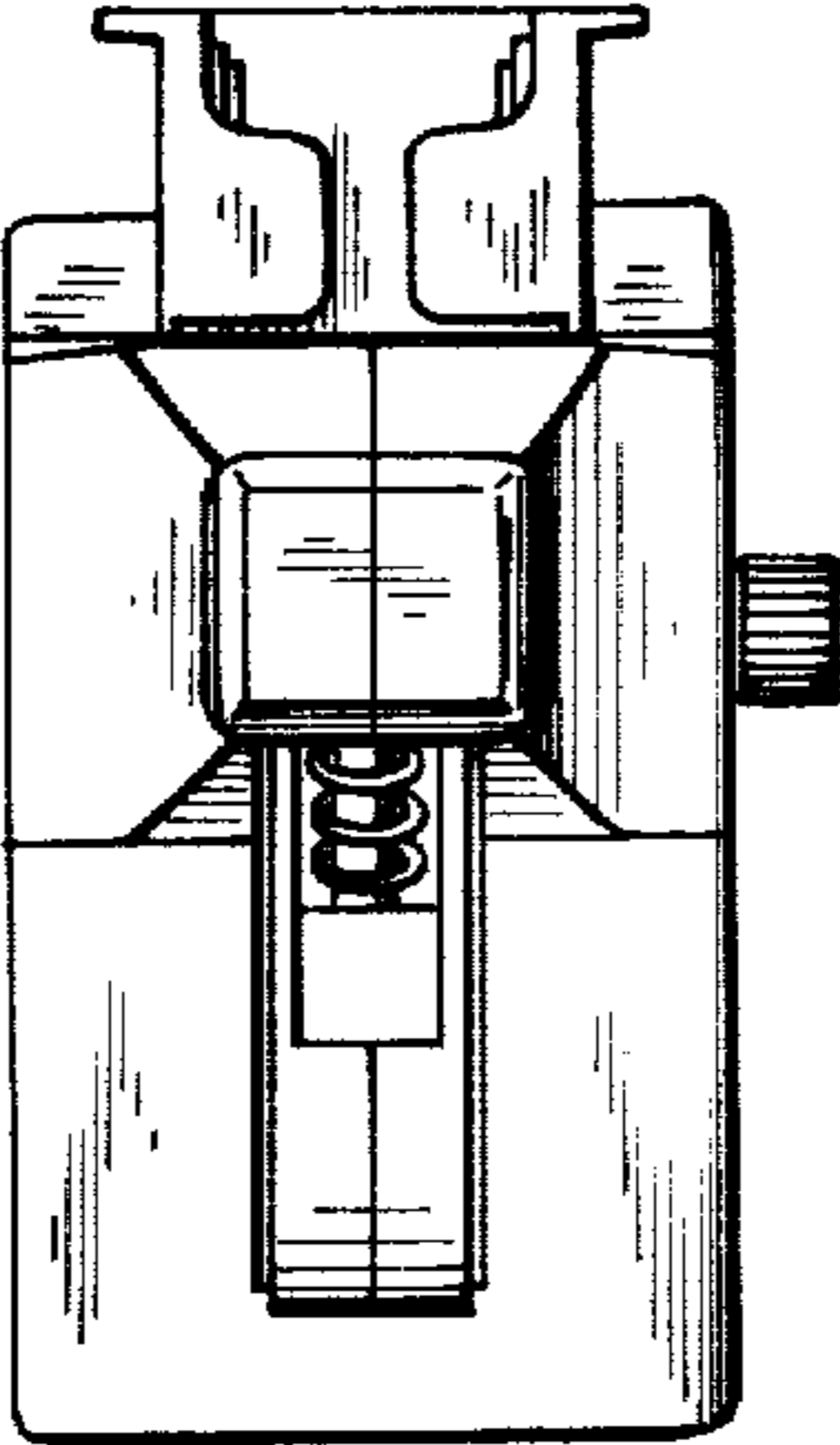


FIG. 2

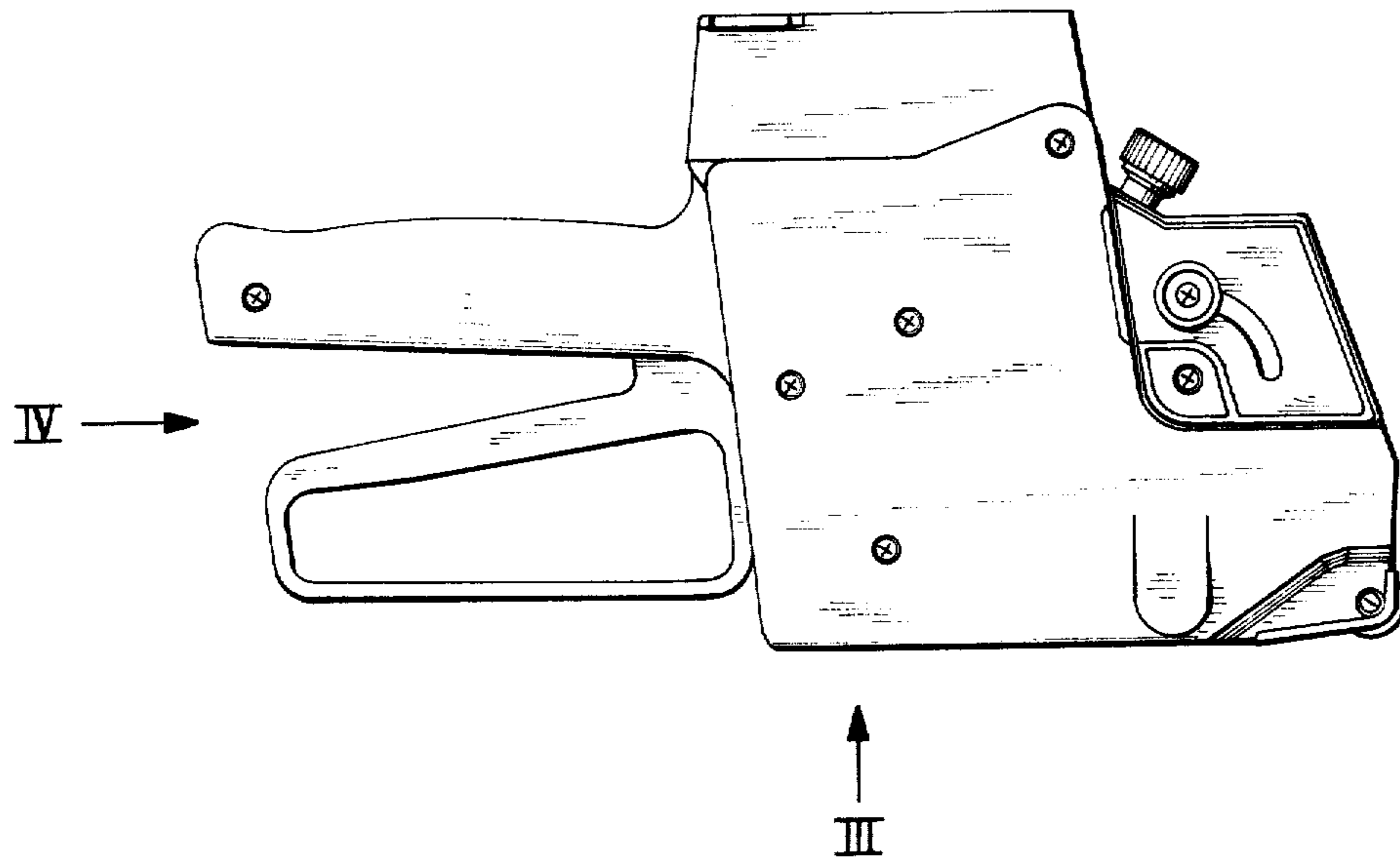


FIG. 3

