

[54] DRIVE UNIT FOR FLEXSHAFT VIBRATORS

3,188,054 6/1965 Mason, Jr. .... 366/123

[75] Inventors: Lee E. Reichel, Kettering; David H. Voisard, Troy, both of Ohio

Primary Examiner—B. J. Bullock  
Attorney, Agent, or Firm—Jerome P. Bloom

[73] Assignee: Koehring Company, Brookfield, Wis.

[57] CLAIM

[\*\*] Term: 14 Years

The ornamental design for a drive unit for flexshaft vibrators, substantially as shown and described.

[21] Appl. No.: 163,335

[22] Filed: Jun. 26, 1980

DESCRIPTION

[51] Int. Cl. .... D15-99

FIG. 1 is a side elevational view of a drive unit for flexshaft vibrators showing our new design;

[52] U.S. Cl. .... D15/147

FIG. 2 is a side elevational view of the side opposite that shown in FIG. 1;

[58] Field of Search ..... D15/147, 148; 366/123, 366/120

FIG. 3 is a top plan view thereof;

FIG. 4 is a bottom plan view thereof;

[56] References Cited

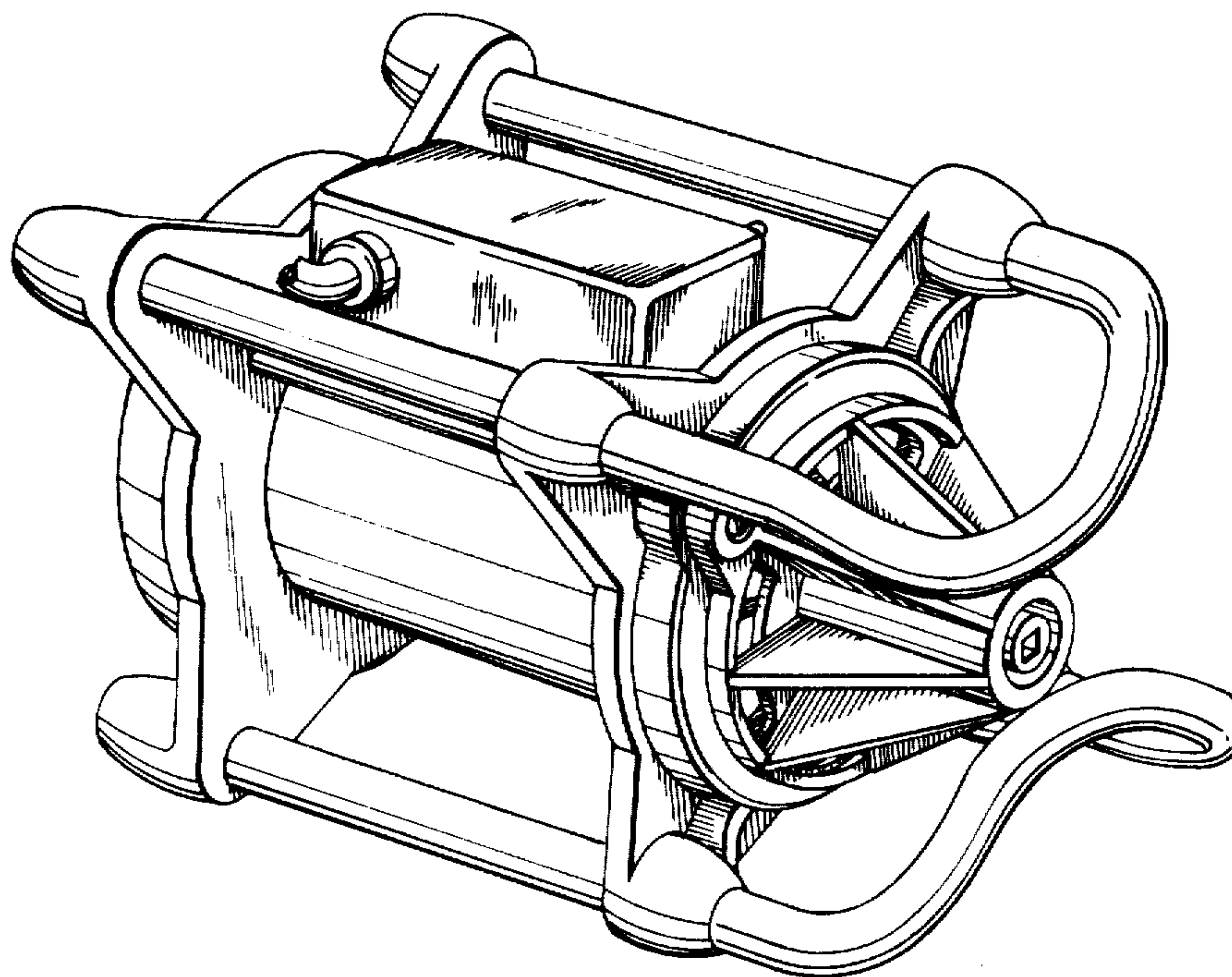
U.S. PATENT DOCUMENTS

2,276,613	3/1942	Gordon	366/123
2,430,817	11/1947	Jackson	366/123
2,716,022	8/1955	Wilson	366/120

FIG. 5 is an end elevational view taken from the right of FIG. 1;

FIG. 6 is an end elevational view taken from the left of FIG. 1; and

FIG. 7 is a perspective view thereof.



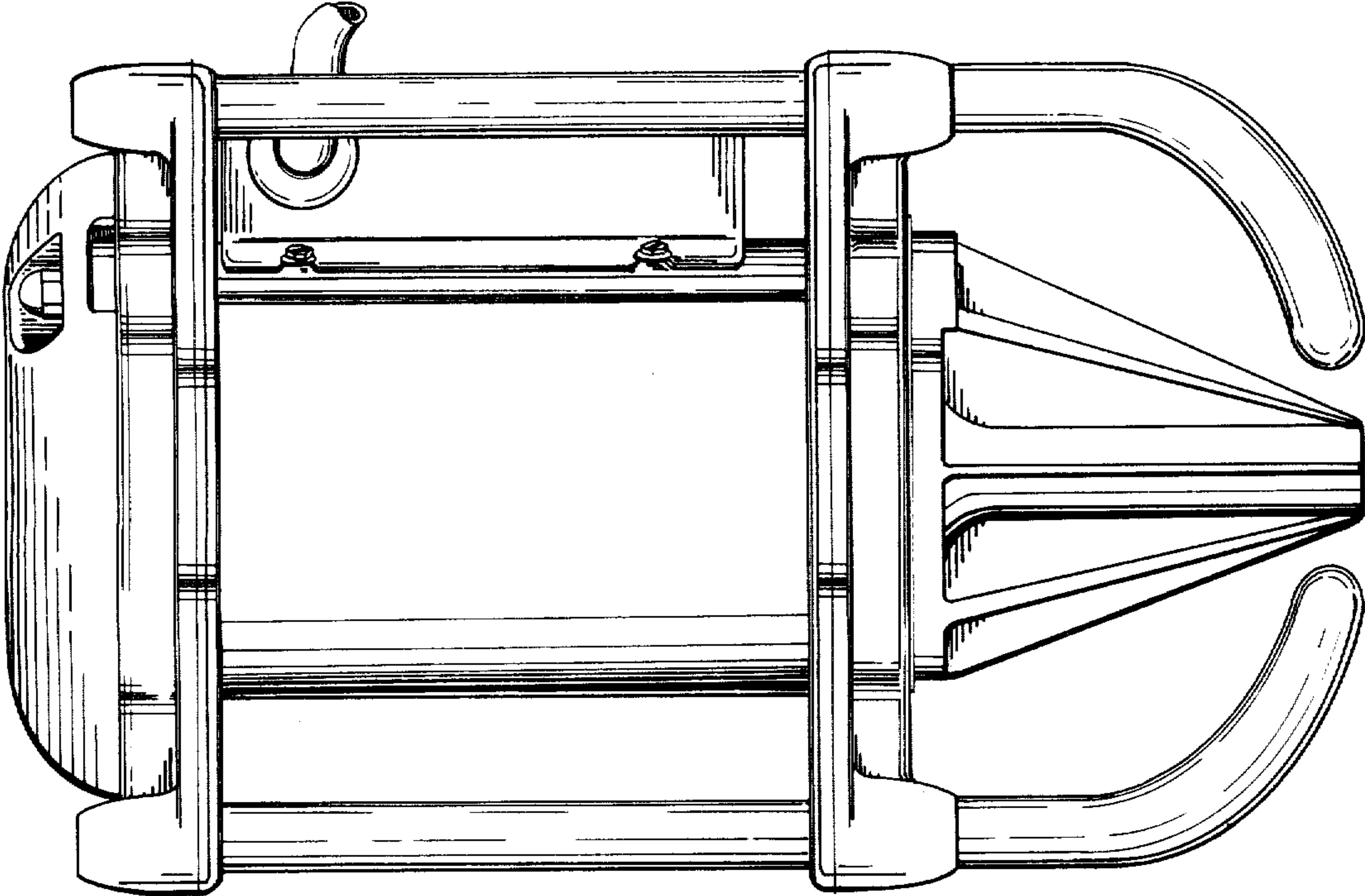


FIG-1

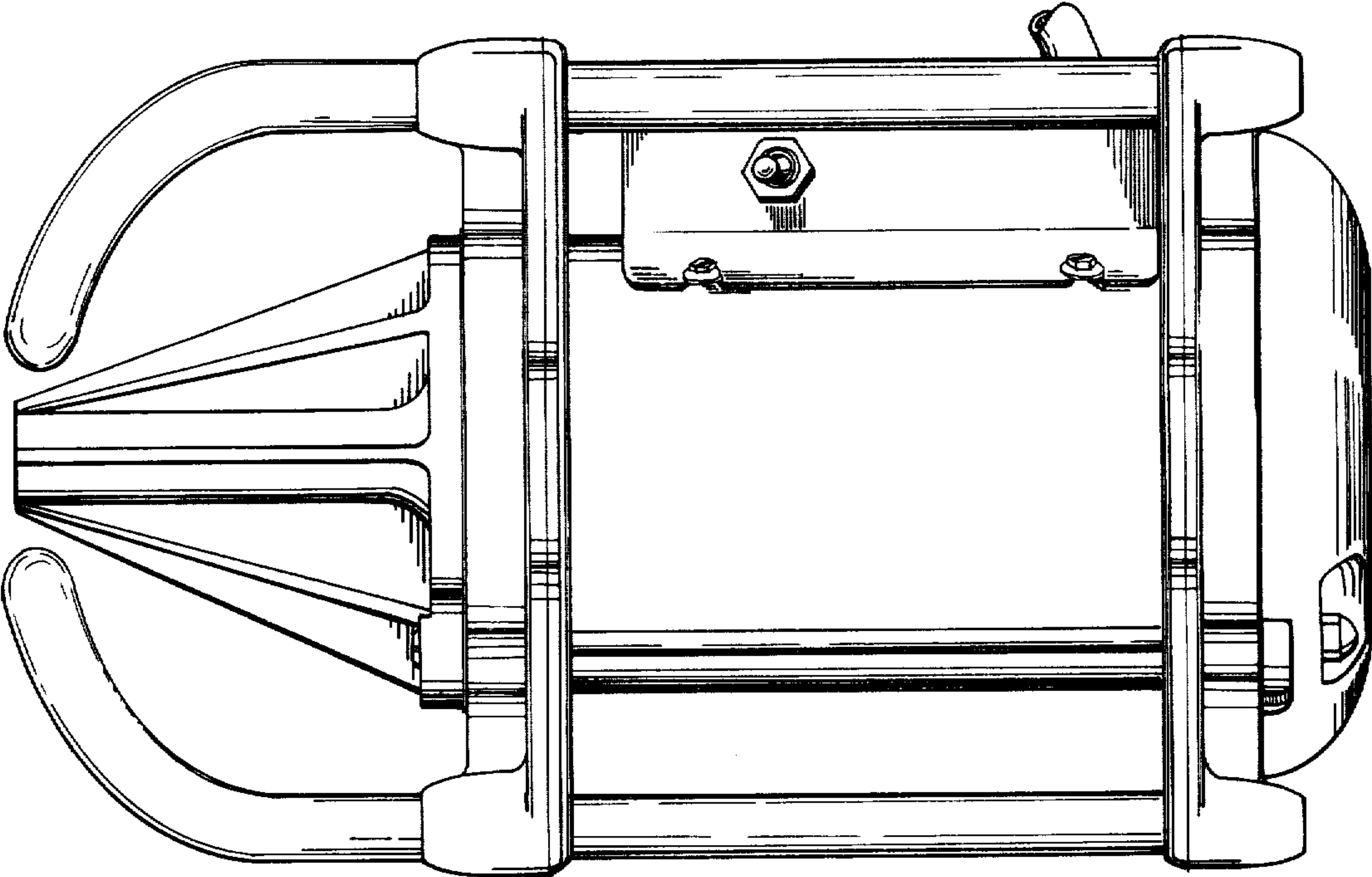
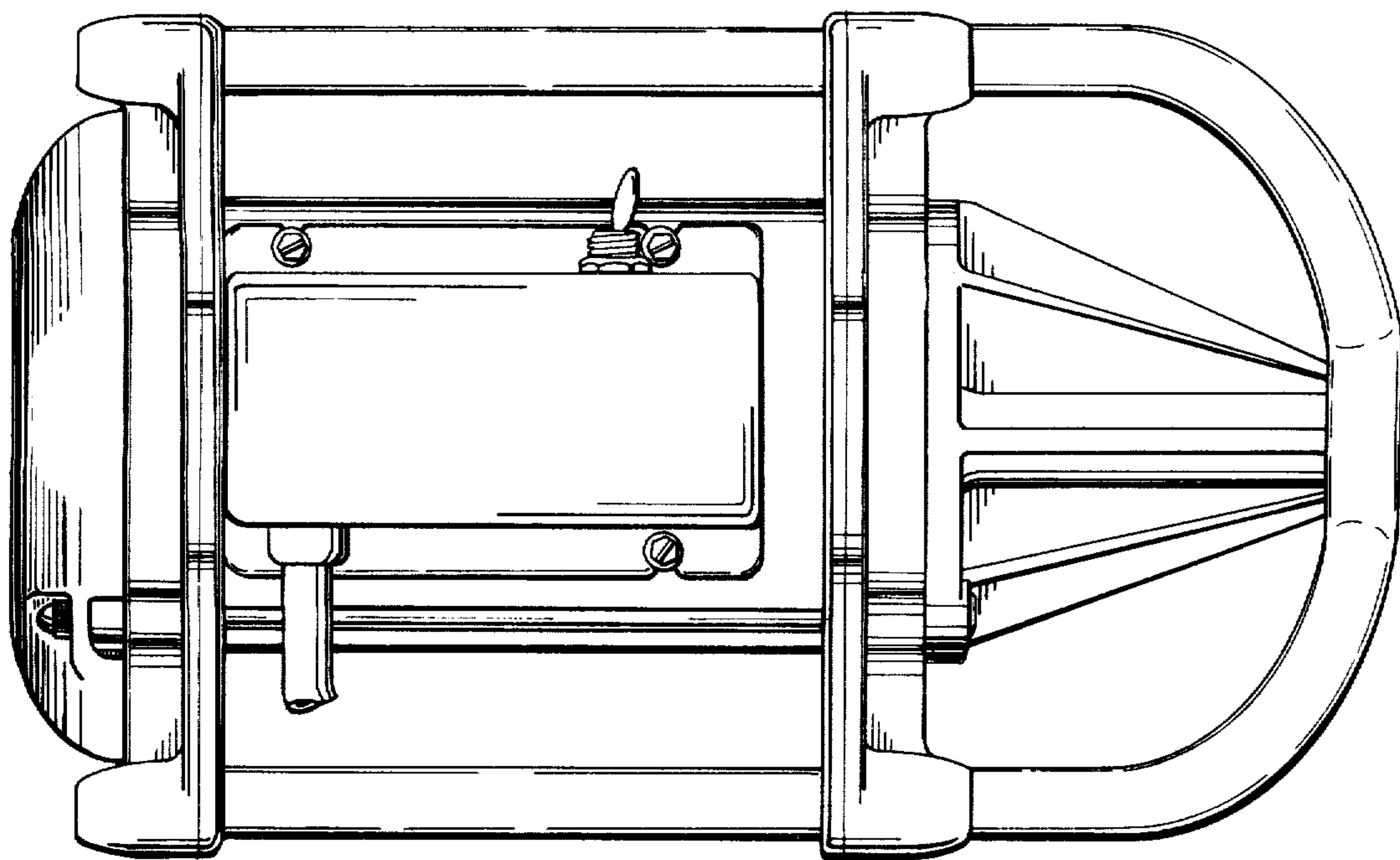
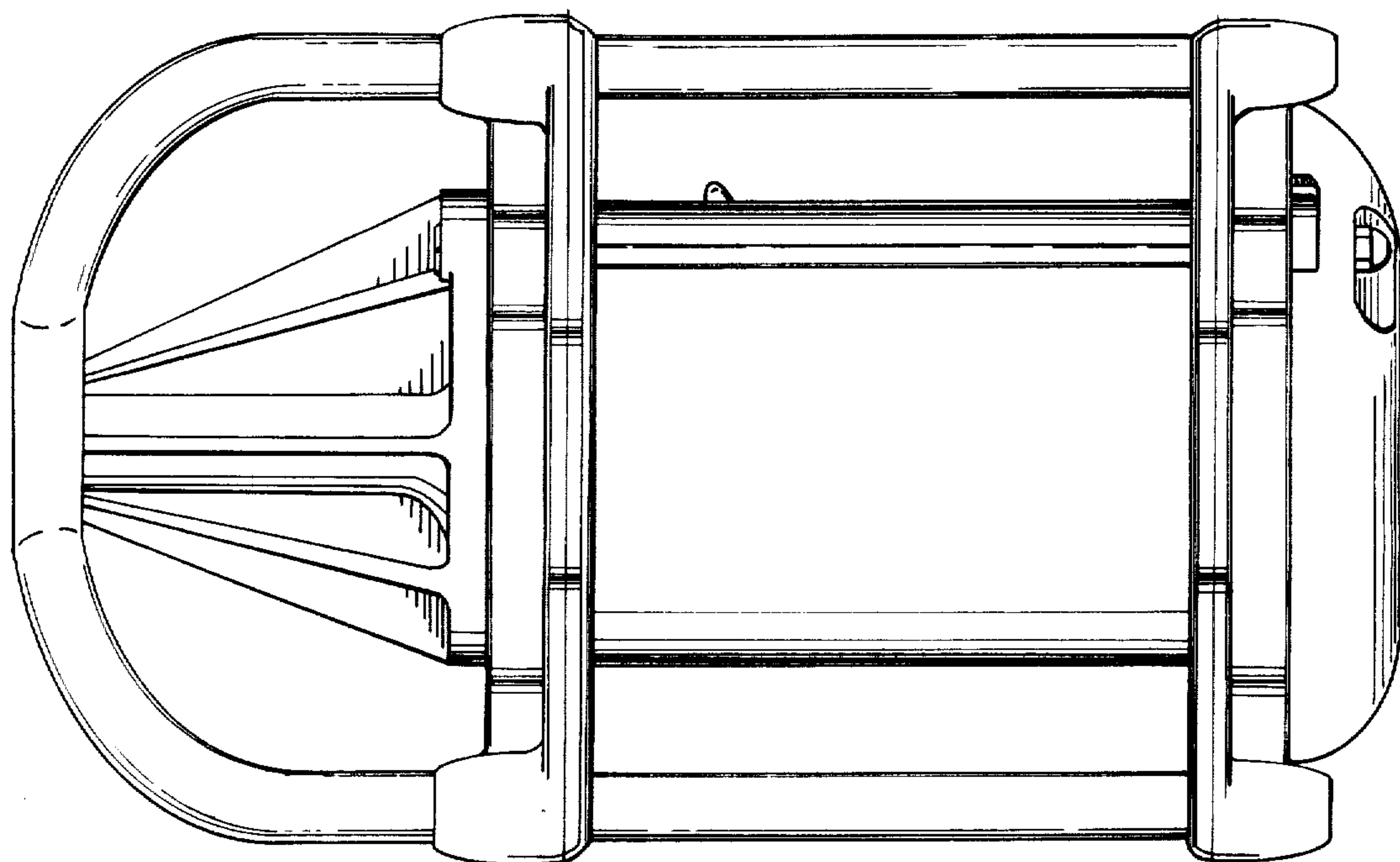


FIG-2

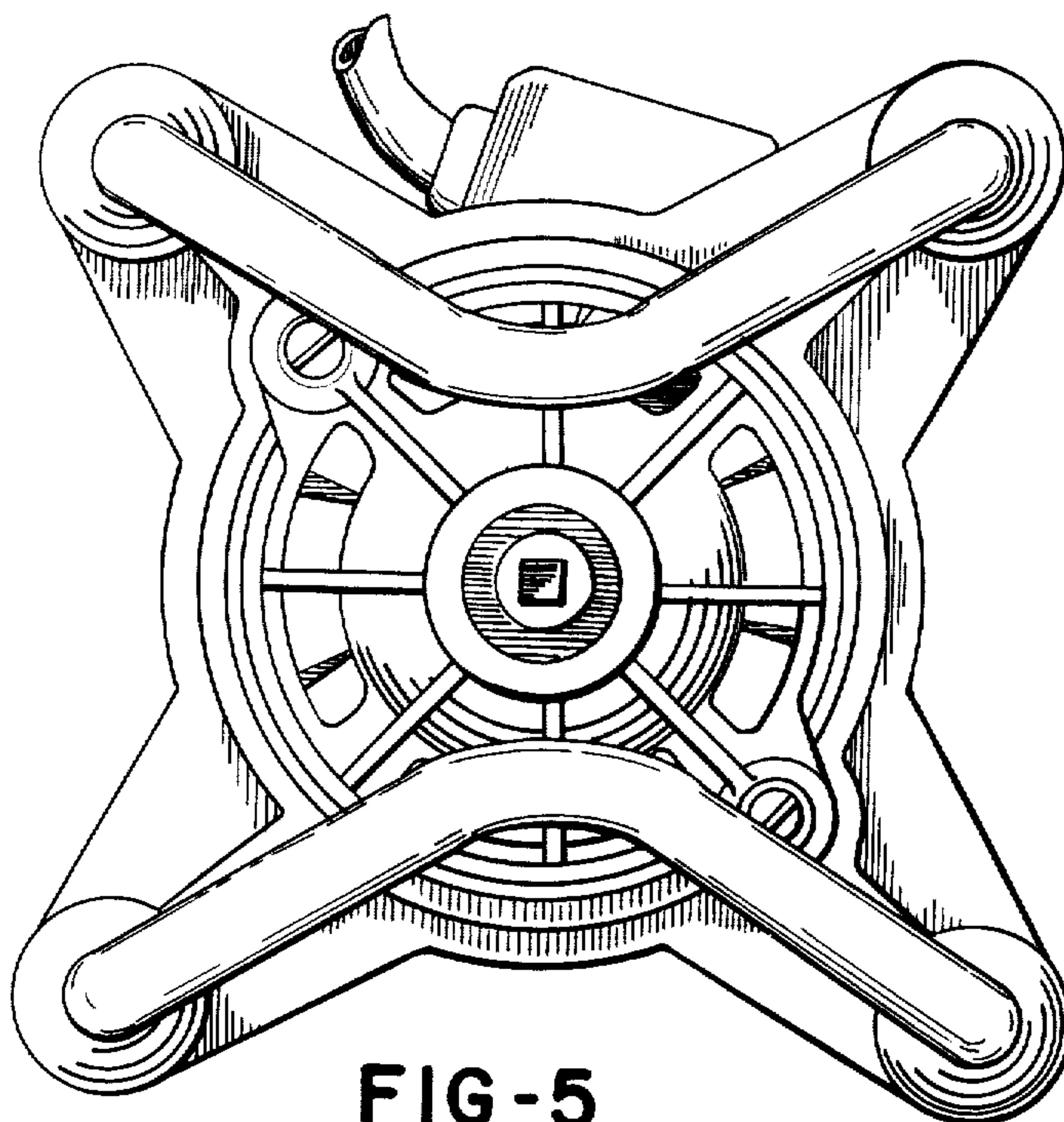


**FIG-3**

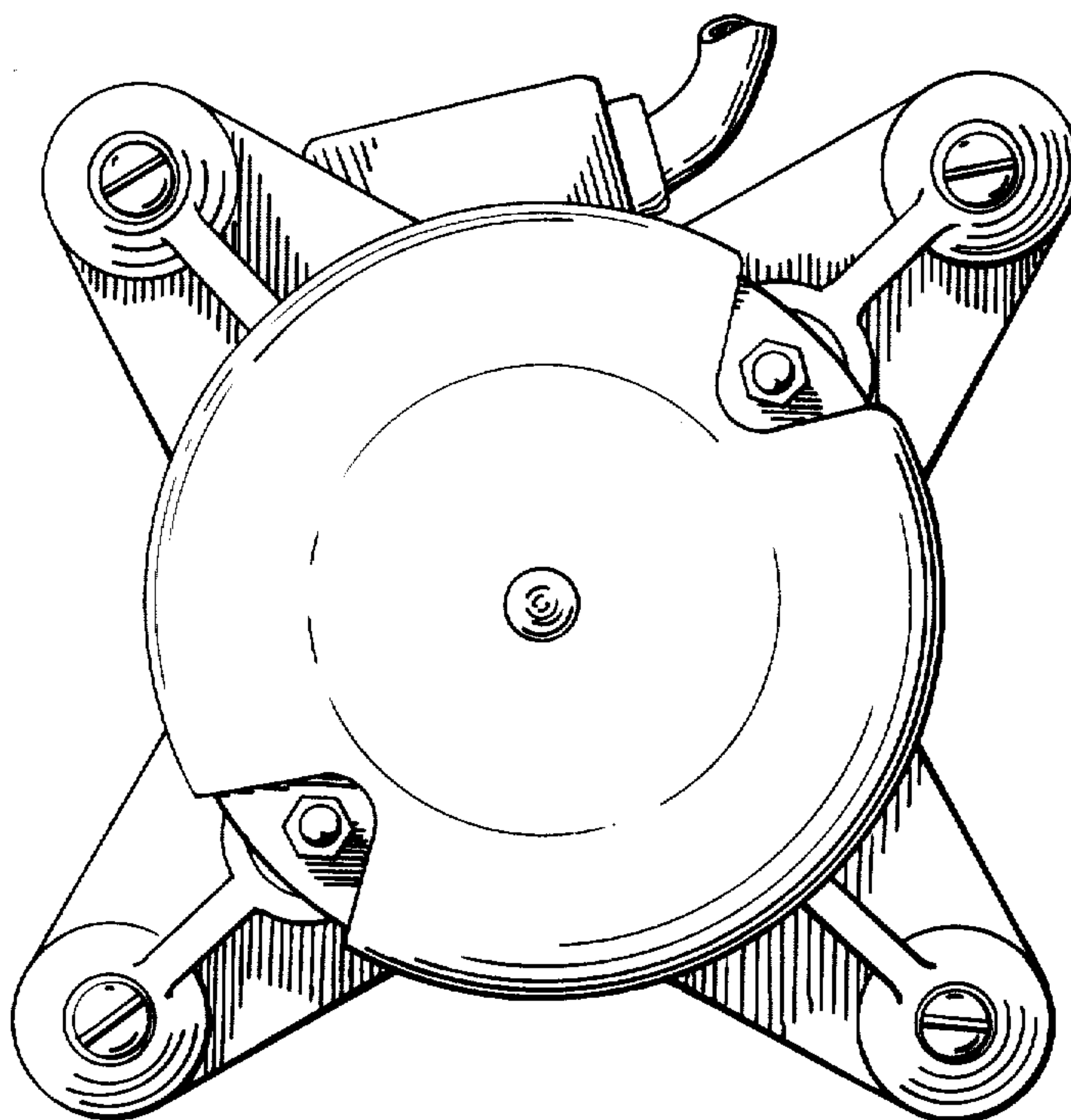


**FIG-4**





**FIG-5**



**FIG-6**

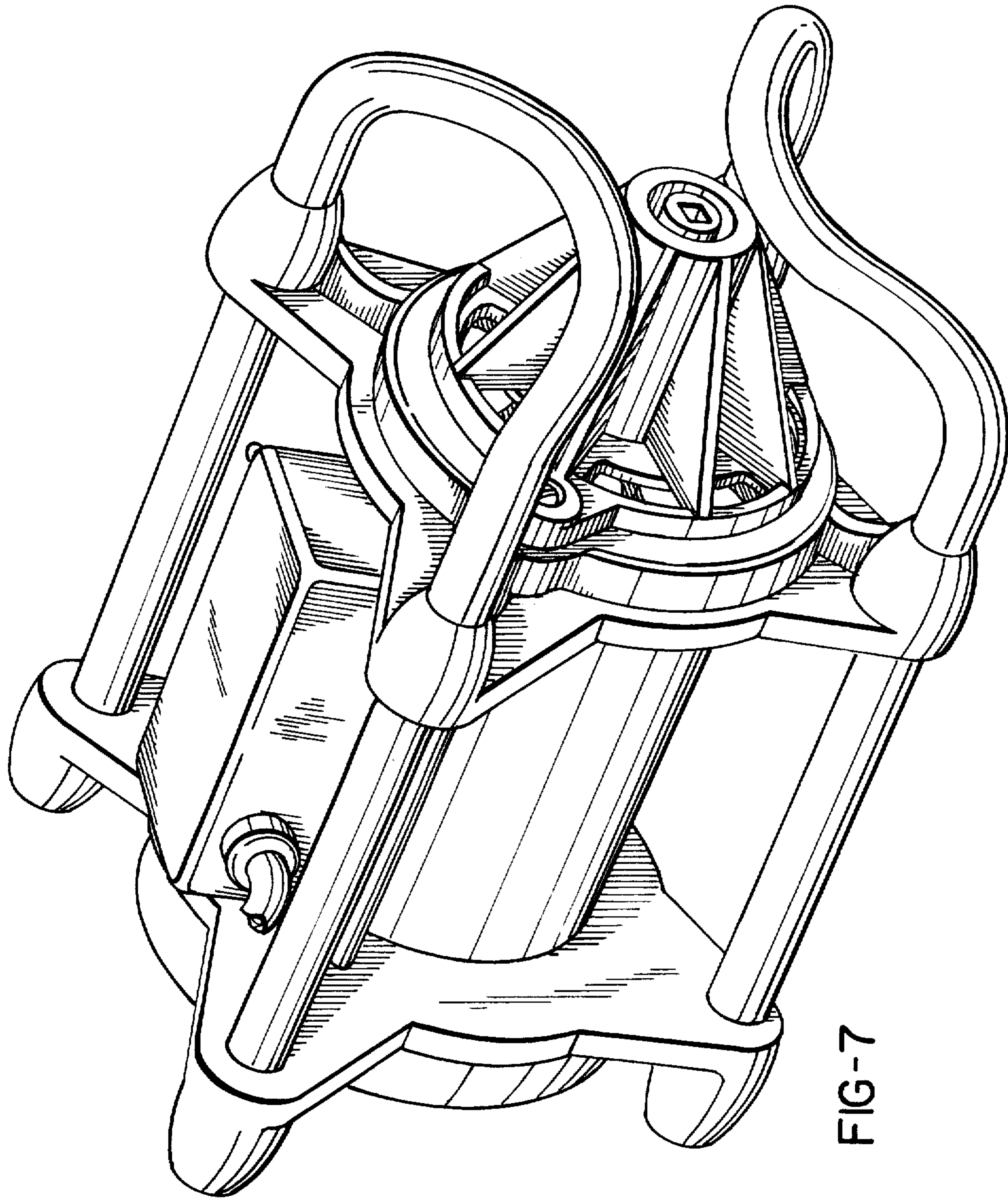


FIG-7