

[54] MILLING MACHINE TABLE STOP OR SIMILAR ARTICLE

[76] Inventor: Paul Karlan, 511 Center Ave., Mamaroneck, N.Y. 10543

[\*\*] Term: 14 Years

[21] Appl. No.: 166,309

[22] Filed: Jul. 7, 1980

[51] Int. Cl. ..... D15-09  
[52] U.S. Cl. ..... D15/140  
[58] Field of Search ..... D15/131, 138, 140; 409/218

[56] References Cited

U.S. PATENT DOCUMENTS

D. 231,663 5/1974 Pingel ..... D15/140  
2,226,055 12/1940 Field ..... 409/218  
3,961,557 6/1976 Jezowski ..... 409/218  
4,020,742 5/1977 Raymond ..... 409/218

Primary Examiner—B. J. Bullock  
Attorney, Agent, or Firm—Charles E. Temko

[57] CLAIM

The ornamental design for a milling machine table stop or similar article, substantially as shown and described.

DESCRIPTION

FIG. 1 is a front perspective view of a milling machine table stop or similar article showing my new design; FIG. 2 is a front elevational view thereof; FIG. 3 is a side elevational view taken from the right of FIG. 2; FIG. 4 is a rear elevational view thereof.

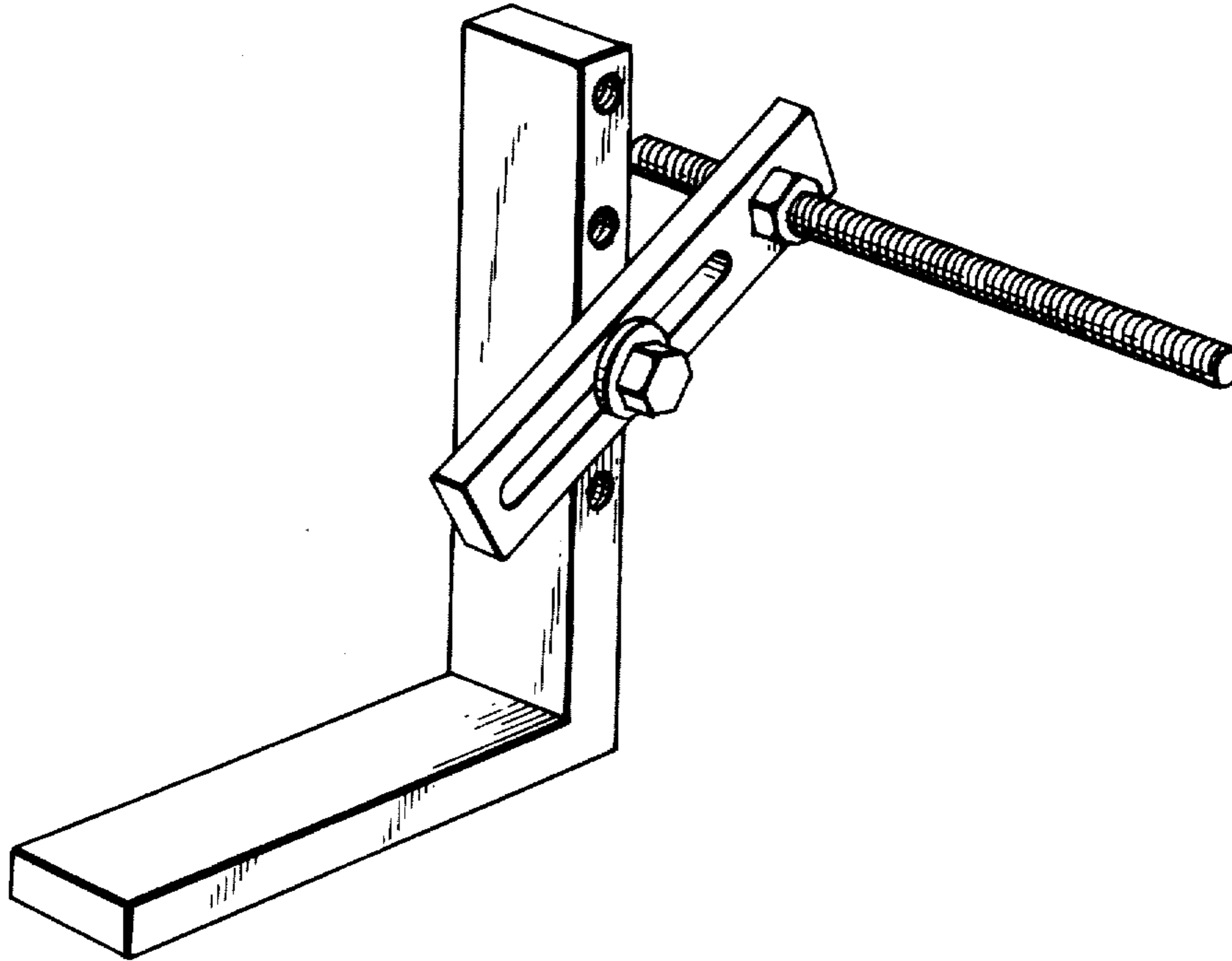


FIG. 1.

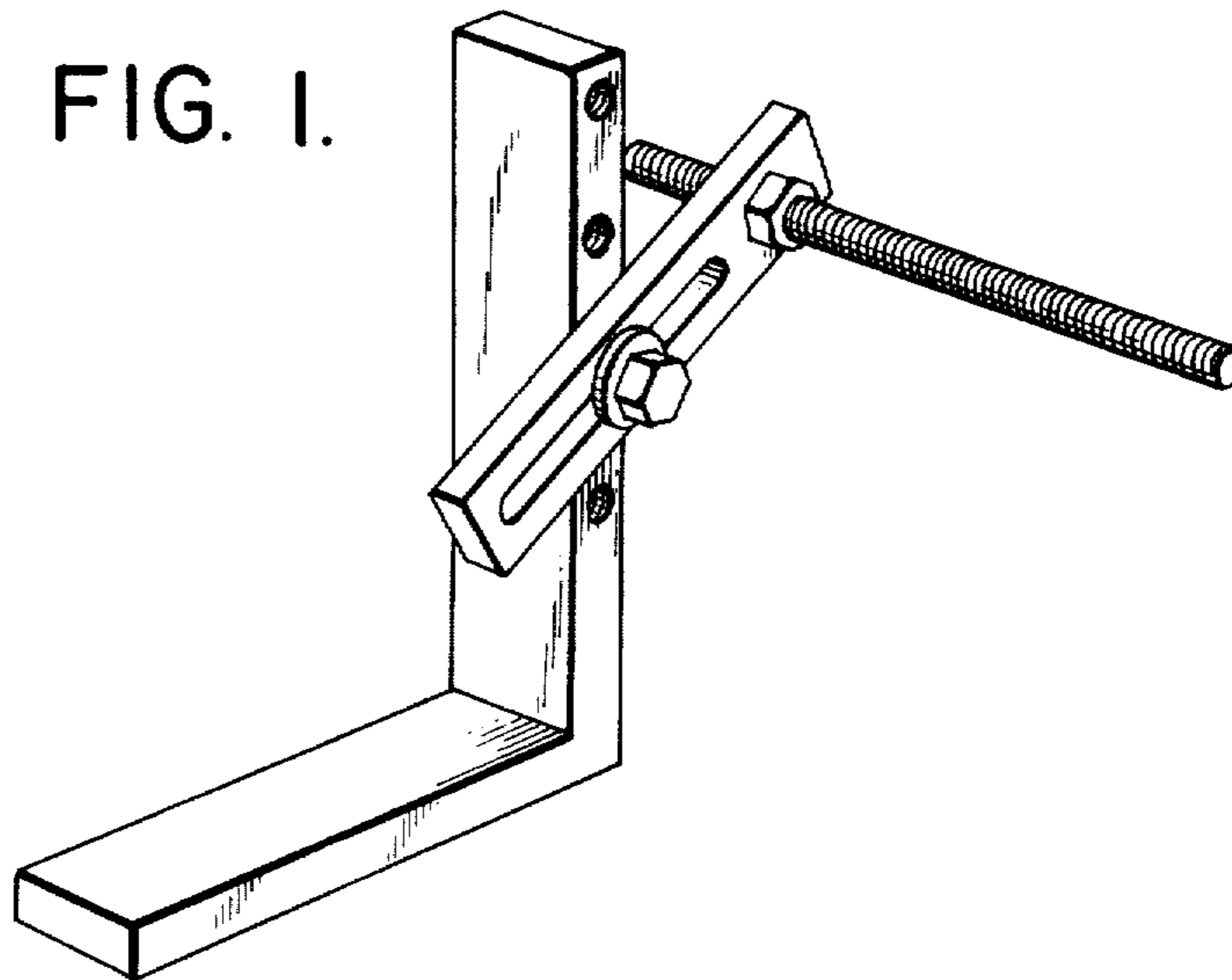


FIG. 2.

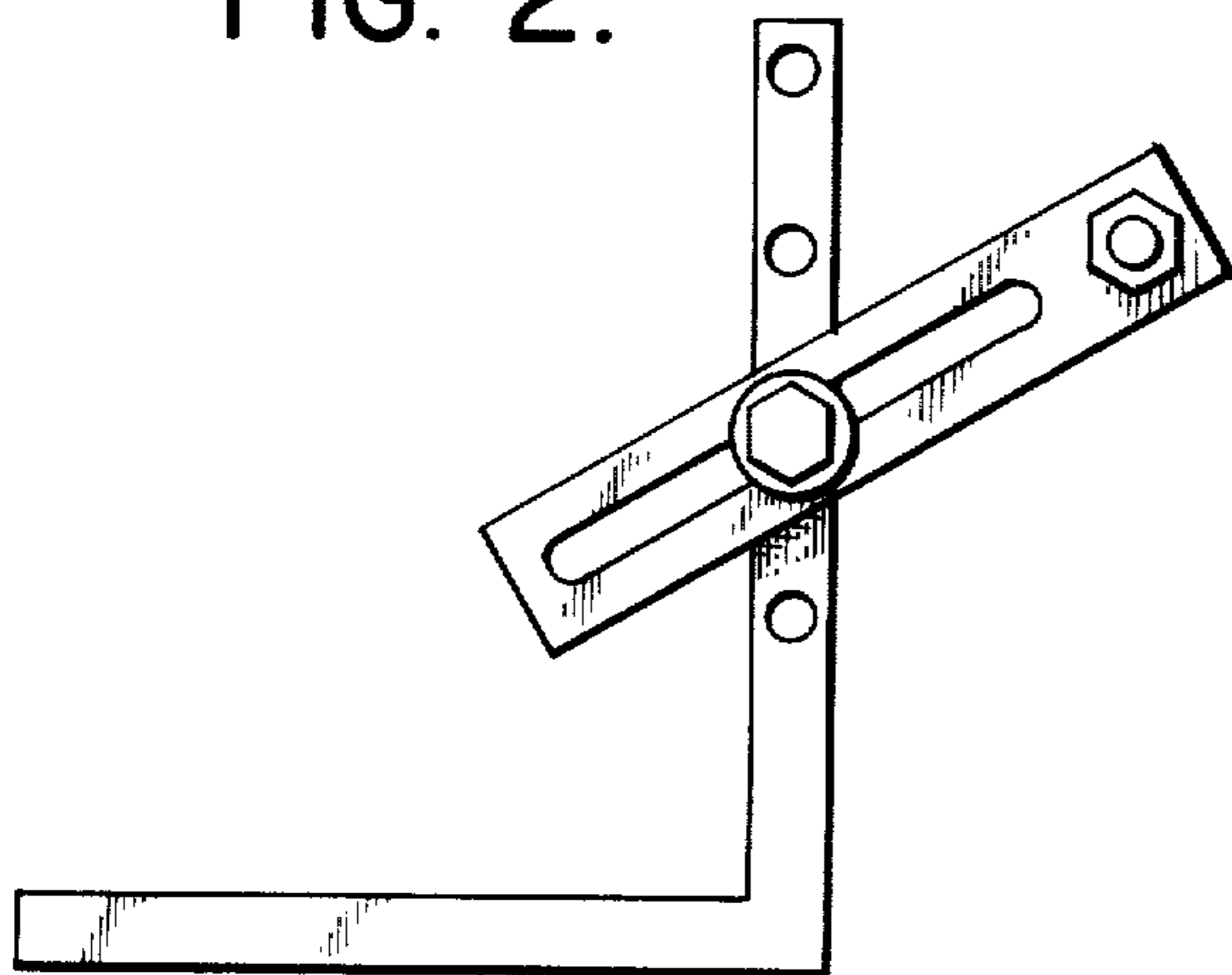


FIG. 3.

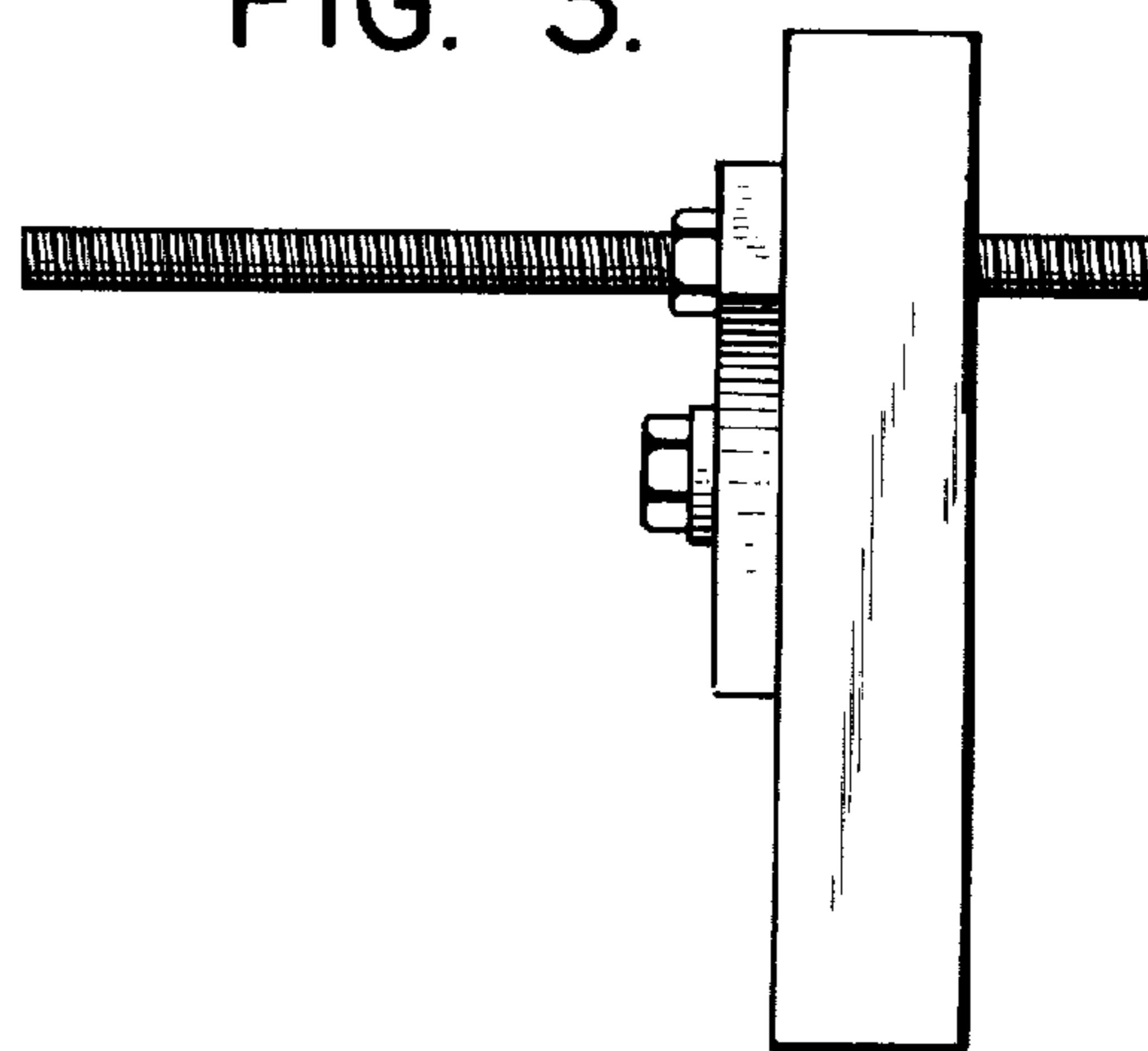


FIG. 4.

