

[54] QUICK COUPLER MOUNT FOR FRONT OF FARM TRACTOR

4,329,797 5/1982 Shumaker 414/685

[76] Inventor: Andrew C. Yoder, R.R. #1, Amboy, Ind. 46911

Primary Examiner—James M. Gandy
Attorney, Agent, or Firm—Woodard, Weikart, Emhardt & Naughton

[**] Term: 14 Years

[57] CLAIM

[21] Appl. No.: 232,230

The ornamental design for a quick coupler mount for front of farm tractor, as shown and described.

[22] Filed: Feb. 6, 1981

DESCRIPTION

[51] Int. Cl. D15-03

[52] U.S. Cl. D15/32

[58] Field of Search D15/28, 32; 414/722, 414/685, 727

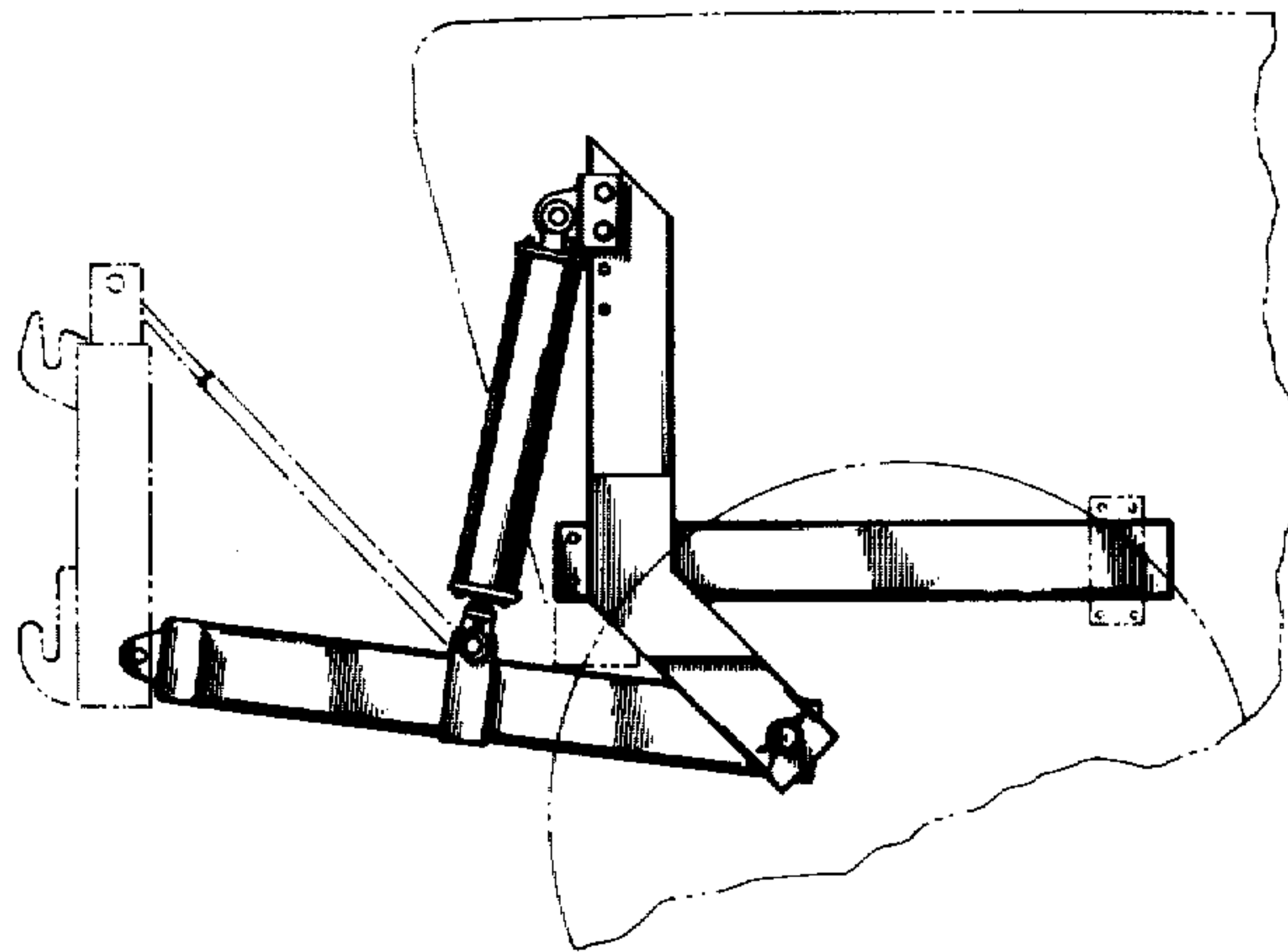
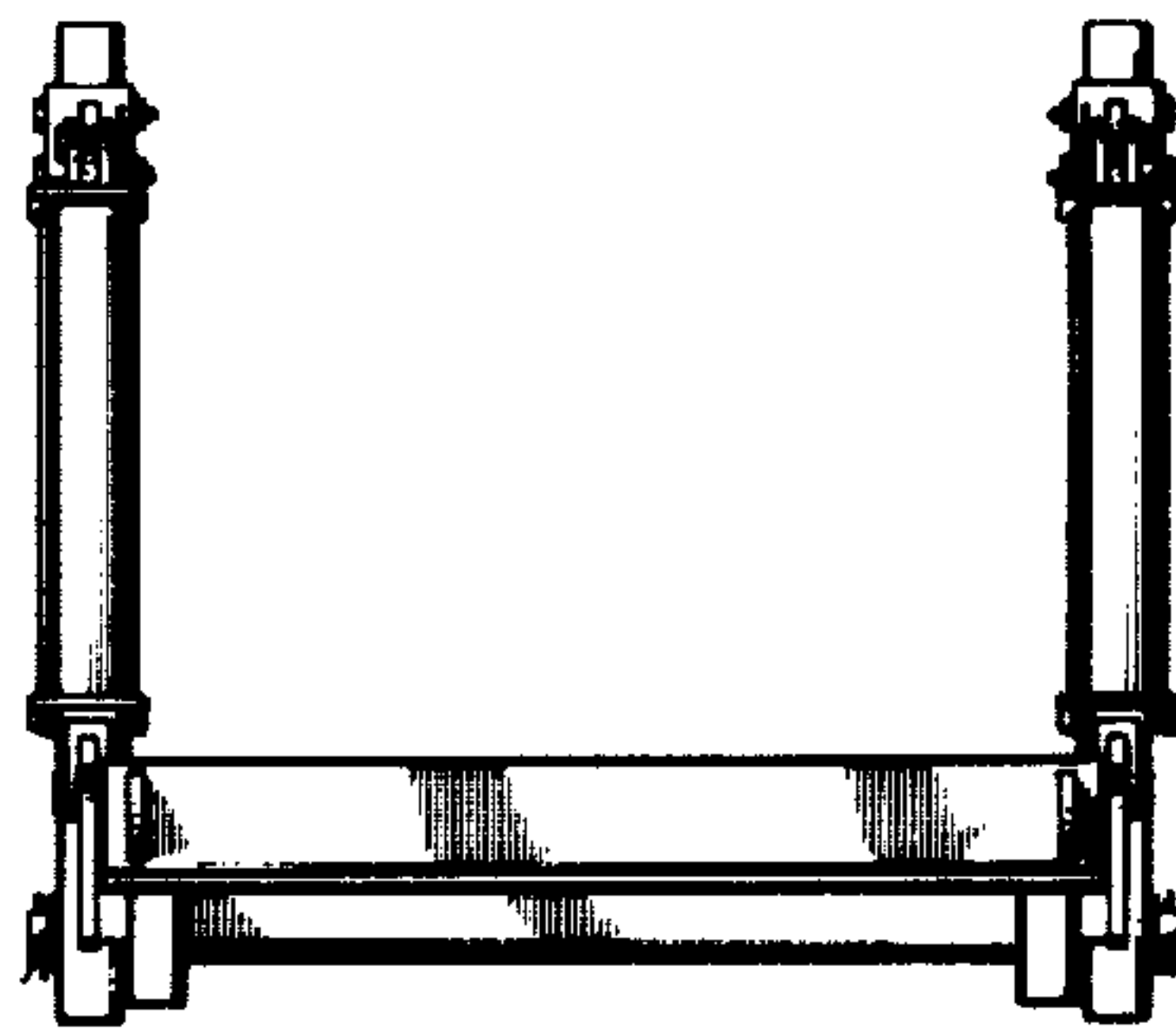
FIG. 1 is a front elevational view of a quick coupler mount for front of farm tractor showing my new design; FIG. 2 is a left side elevational view thereof, the right side being a mirror image of that shown; FIG. 3 is a rear elevational view thereof; FIG. 4 is a top plan view thereof; and FIG. 5 is a bottom plan view thereof.

The broken lines in FIG. 2 of the drawing are for illustrative purposes only.

[56] References Cited

U.S. PATENT DOCUMENTS

D. 144,738 5/1946 Simmonds D15/32



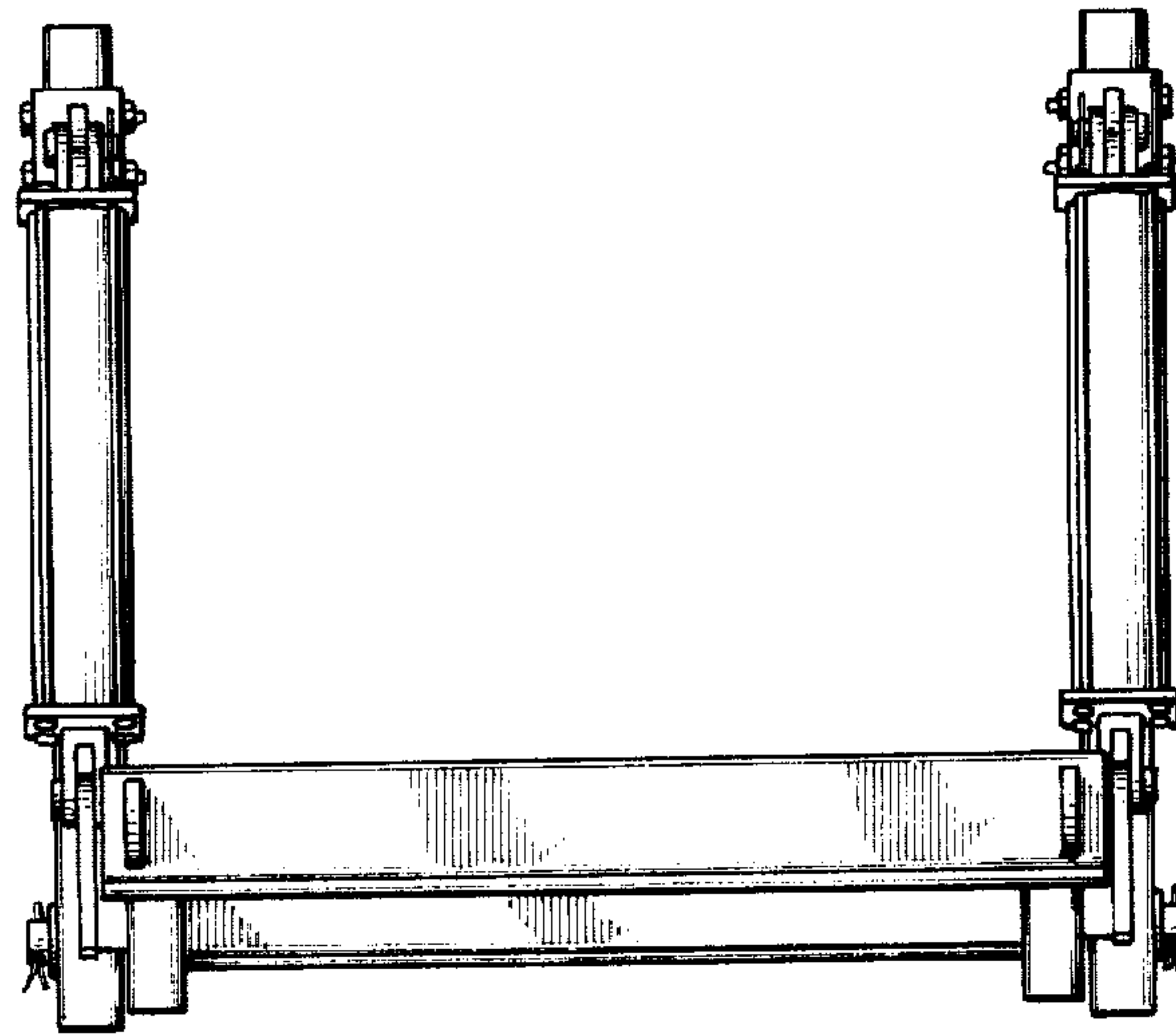


FIG. 1

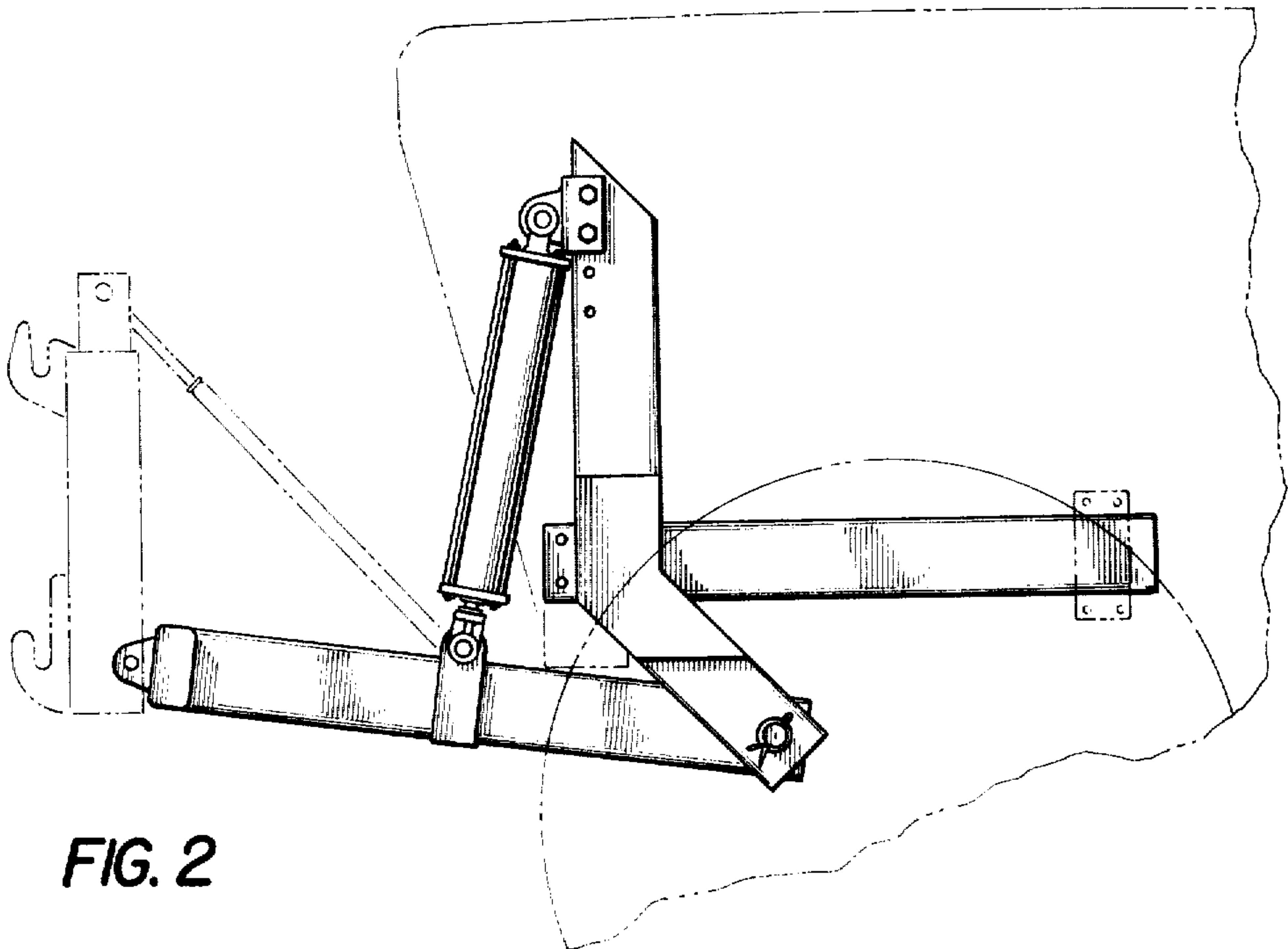


FIG. 2

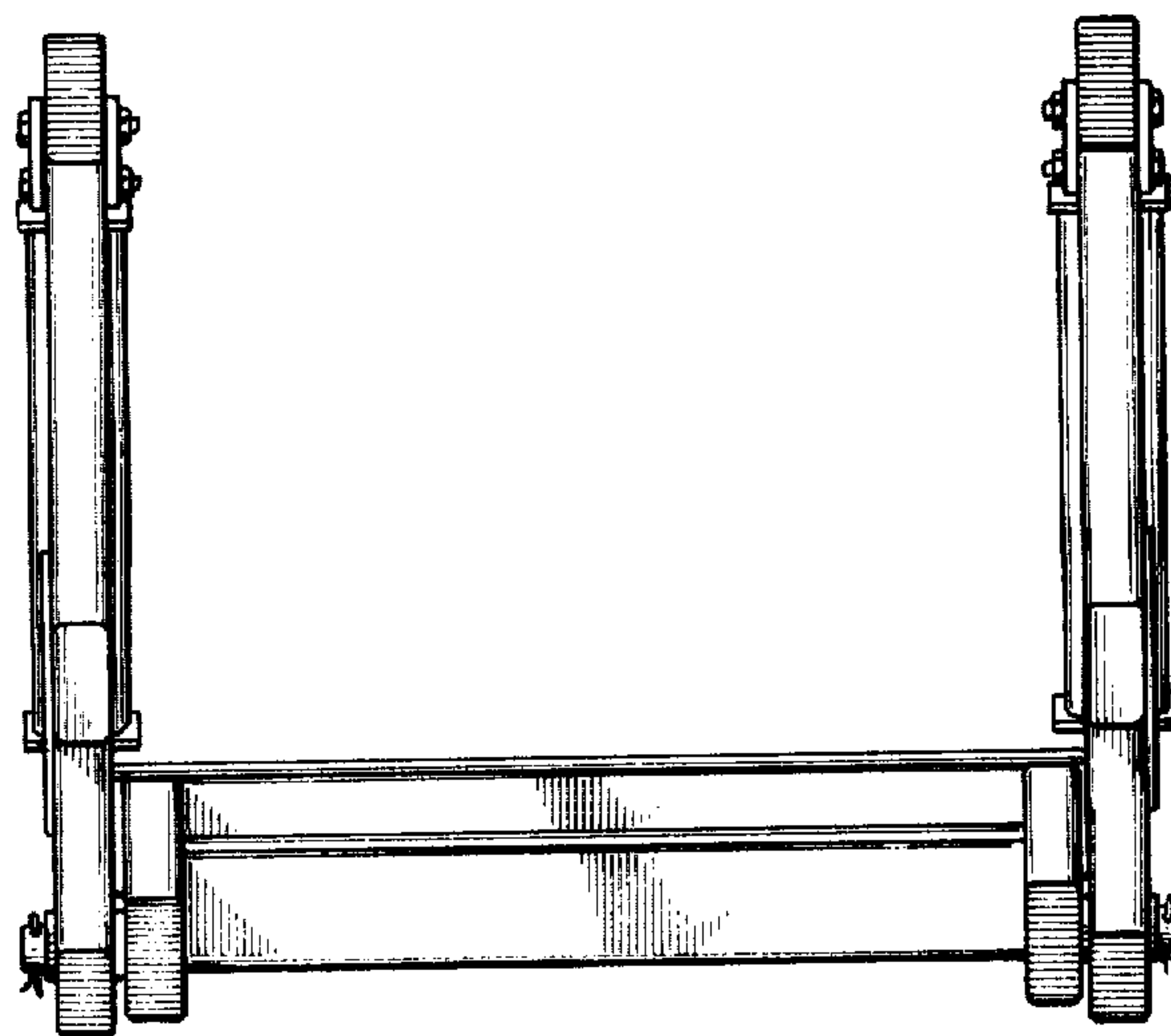


FIG. 3

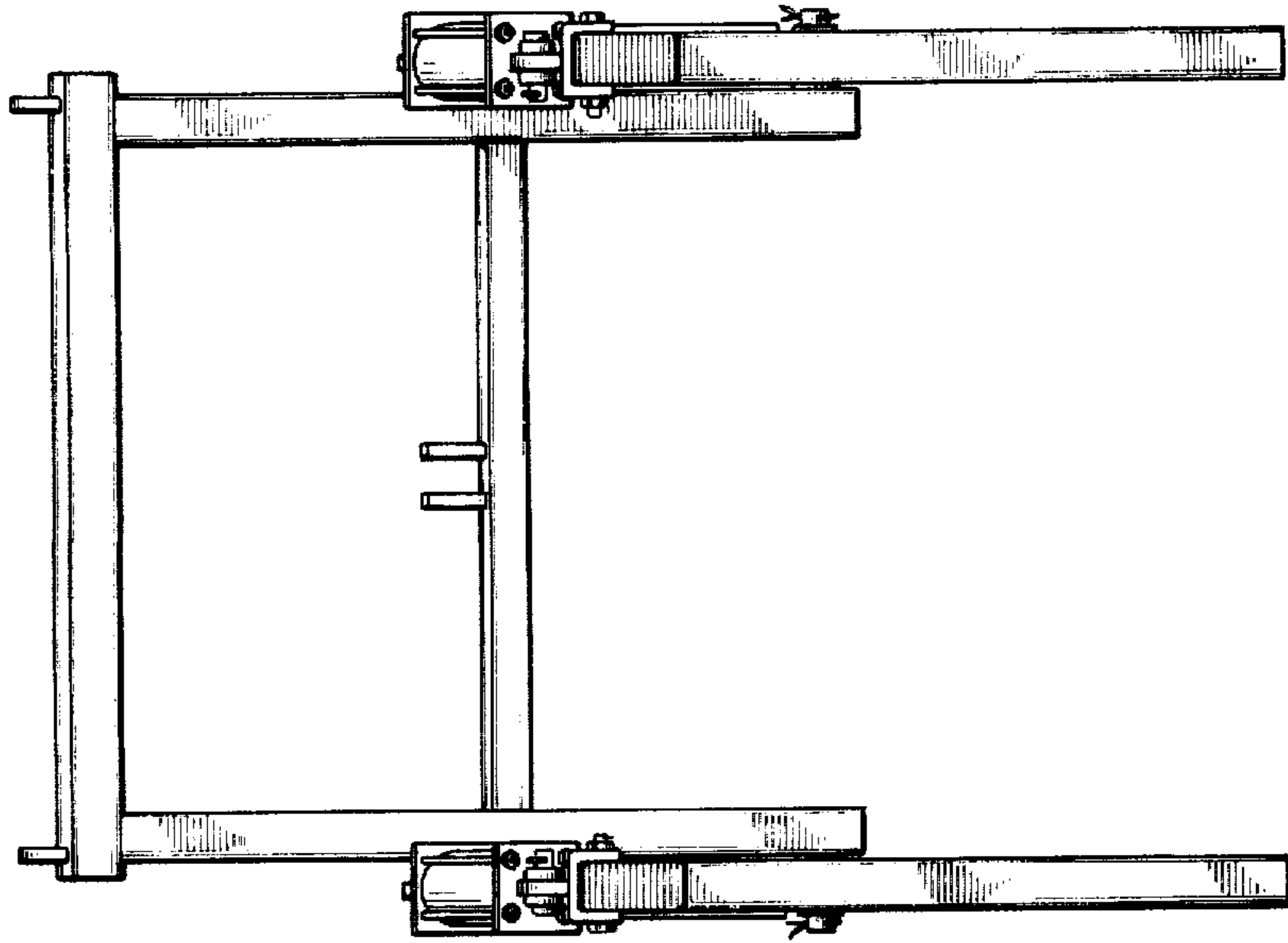


FIG. 4

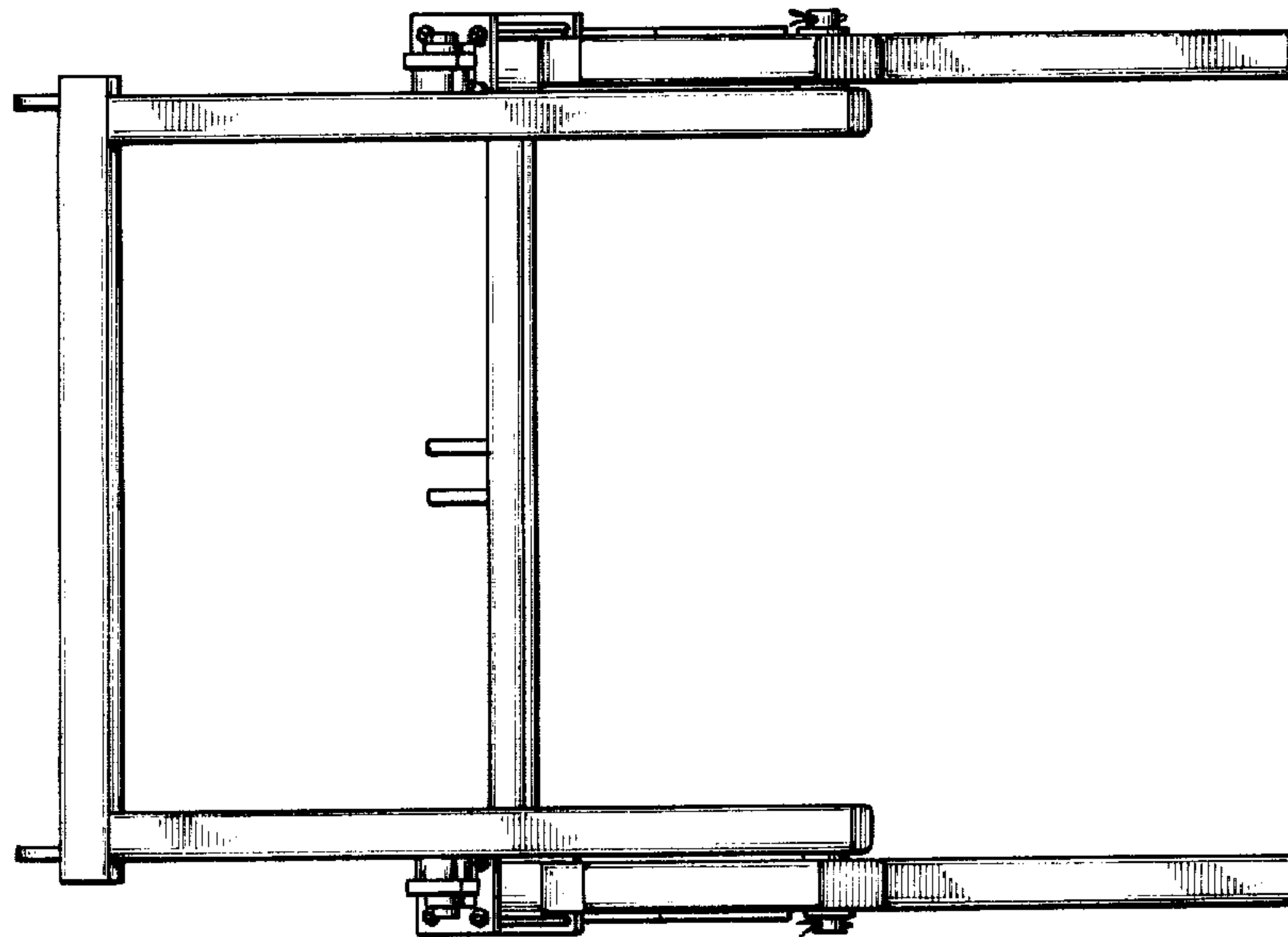


FIG. 5