

[54] SNOW THROWER

[76] Inventor: John M. Berner, 4927 St. Croix Ave., Minneapolis, Minn. 55422

[\*\*] Term: 14 Years

[21] Appl. No.: 24,308

[22] Filed: Mar. 27, 1979

[51] Int. Cl. .... D08-05

[52] U.S. Cl. .... D15/12

[58] Field of Search ..... D15/11, 12; 37/43 R, 37/43 A, 43 B, 43 C, 43 D, 43 E, 43 H, 43 K

[56] References Cited

U.S. PATENT DOCUMENTS

- D. 248,654 7/1978 Ruhl et al. .... D15/12
- D. 251,786 5/1979 Wildgen ..... D15/12
- 4,190,972 3/1980 Berner ..... 37/43 D

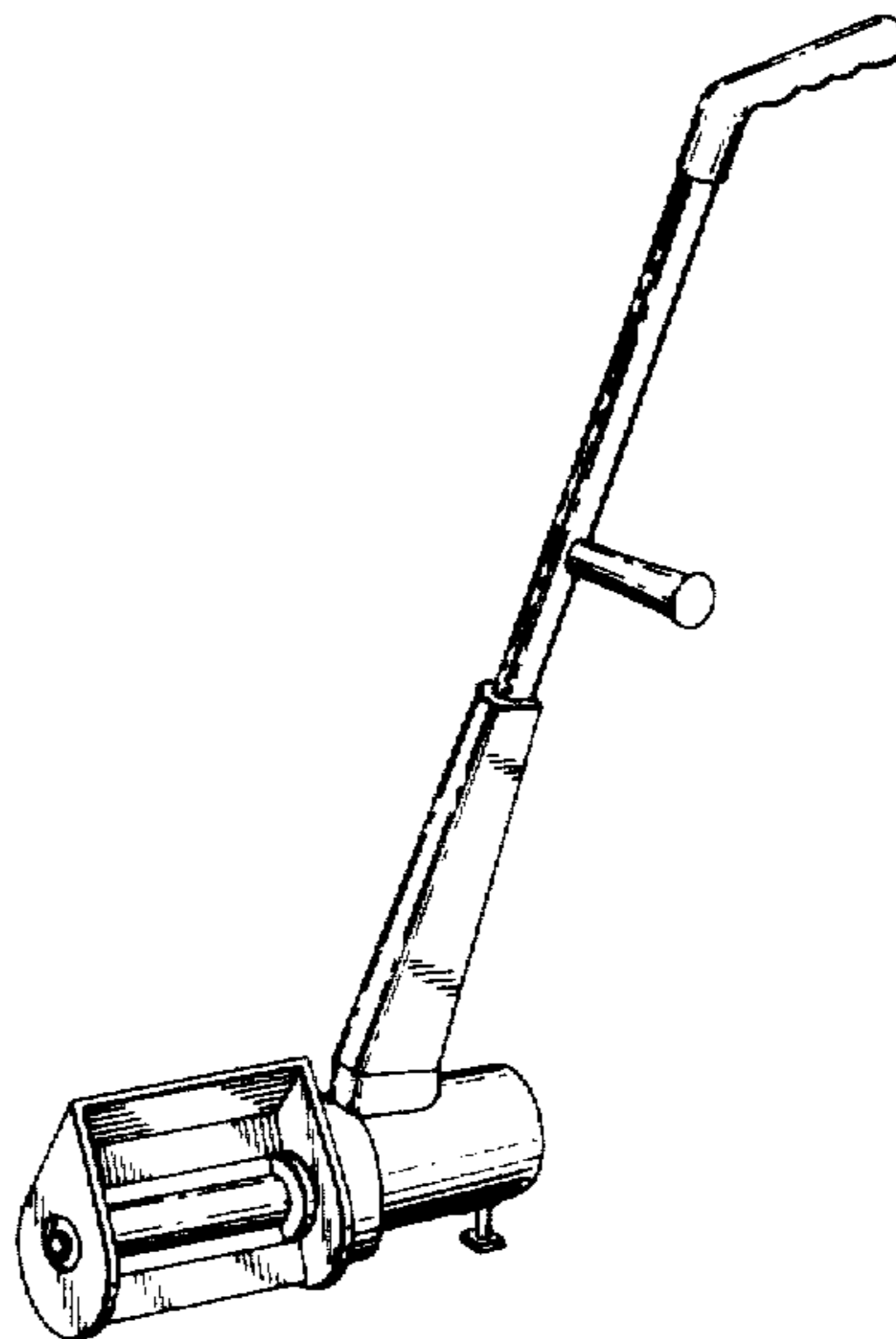
Primary Examiner—James M. Gandy  
Attorney, Agent, or Firm—Thomas A. Lennon

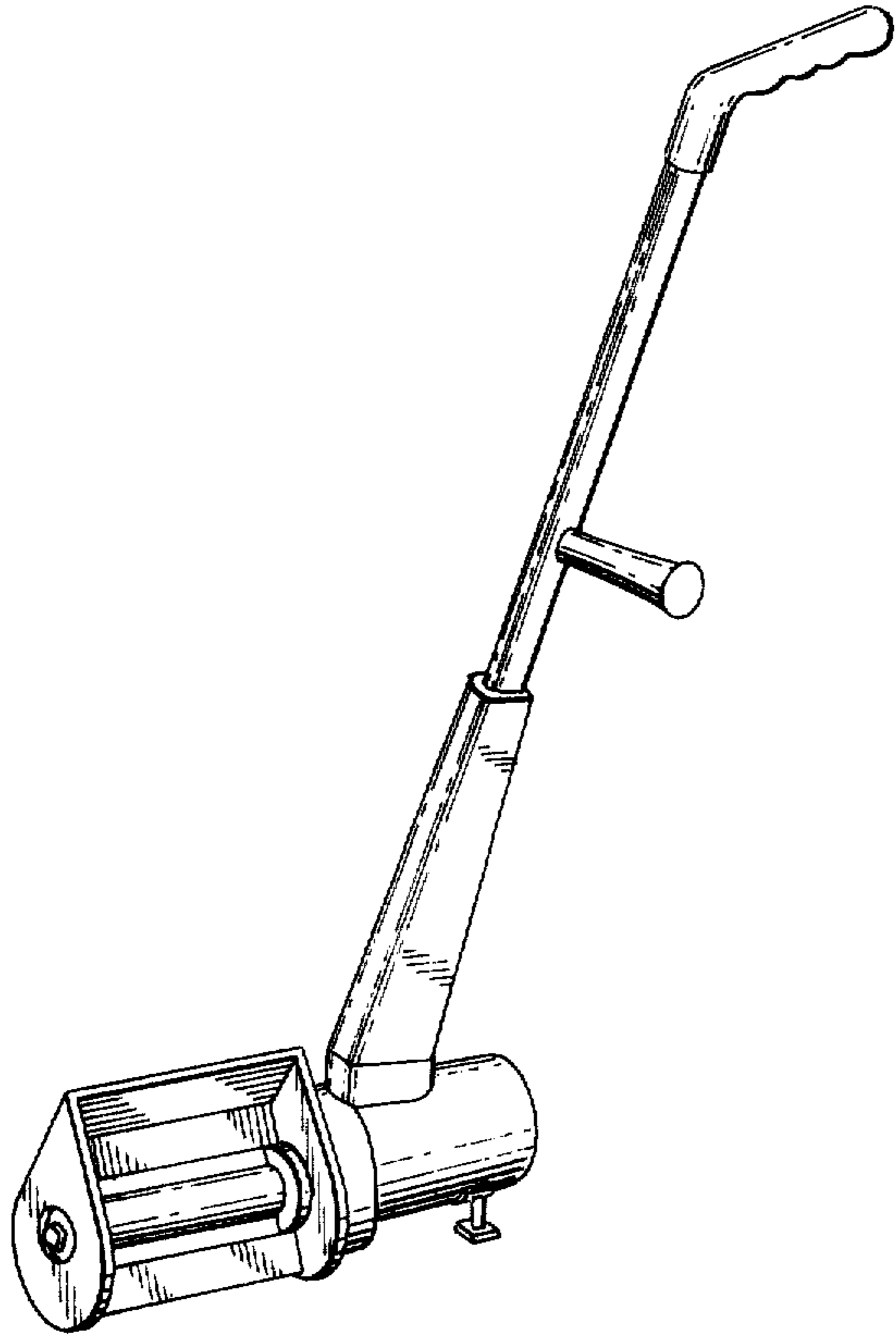
[57] CLAIM

The ornamental design for a snow thrower, as shown and described.

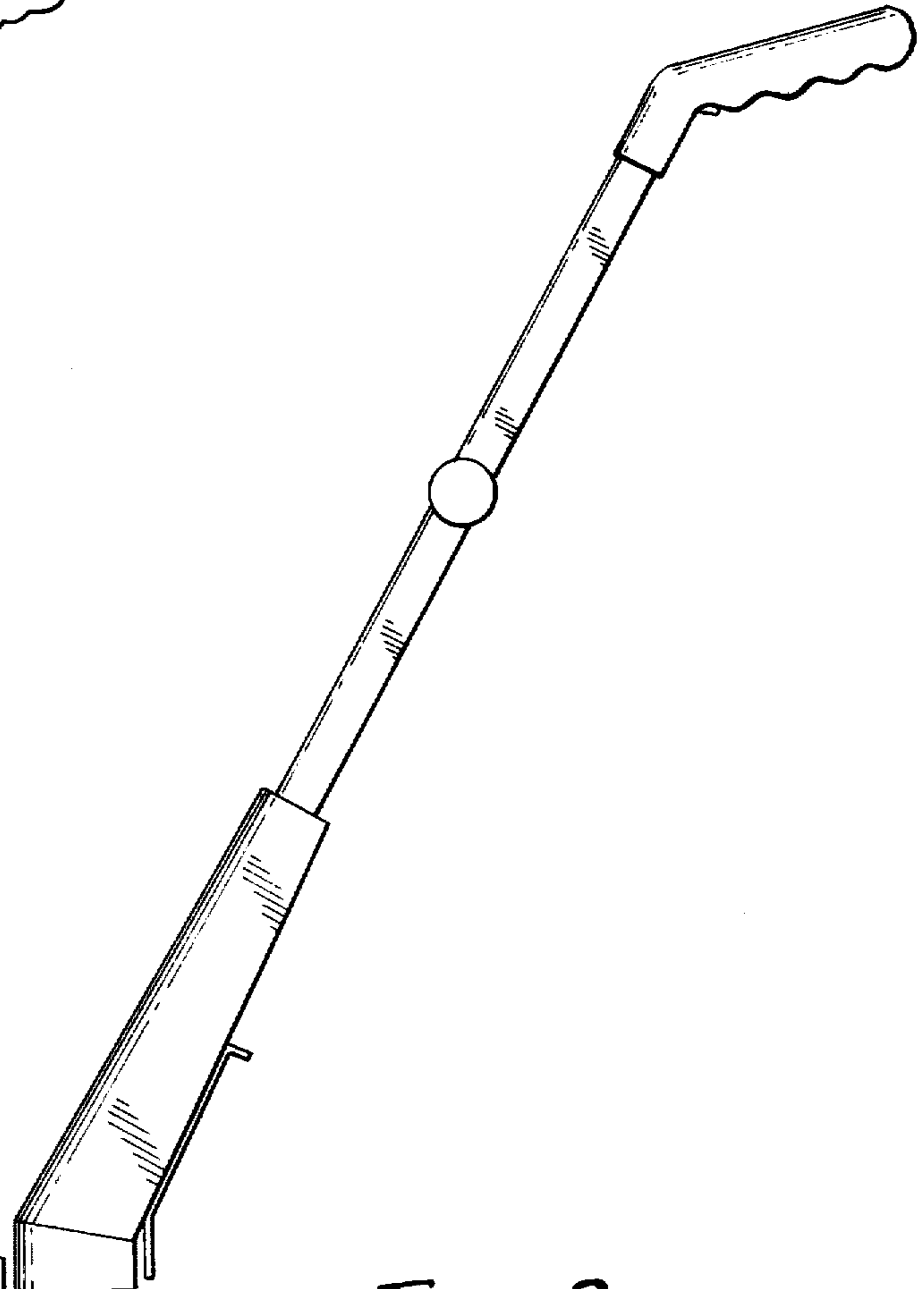
DESCRIPTION

FIG. 1 is a perspective view of a snow thrower showing my new design, taken from the left front side thereof; FIG. 2 is an enlarged front elevational view thereof; FIG. 3 is an enlarged top plan view thereof; FIG. 4 is an enlarged rear elevational view thereof; FIG. 5 is an enlarged side elevational view as viewed from one side thereof; FIG. 6 is an enlarged side elevational view as viewed from the other side thereof; FIG. 7 is an enlarged bottom plan view thereof; FIG. 8 is a perspective view of a snow thrower showing a second embodiment of my new design; FIG. 9 is an enlarged front elevational view of FIG. 8; FIG. 10 is an enlarged top plan view of FIG. 8; FIG. 11 is an enlarged rear elevational view of FIG. 8; FIG. 12 is an enlarged side elevational view of FIG. 8 as viewed from one side thereof; FIG. 13 is an enlarged side elevational view of FIG. 8 as viewed from the other side thereof; and FIG. 14 is an enlarged bottom plan view of FIG. 8.

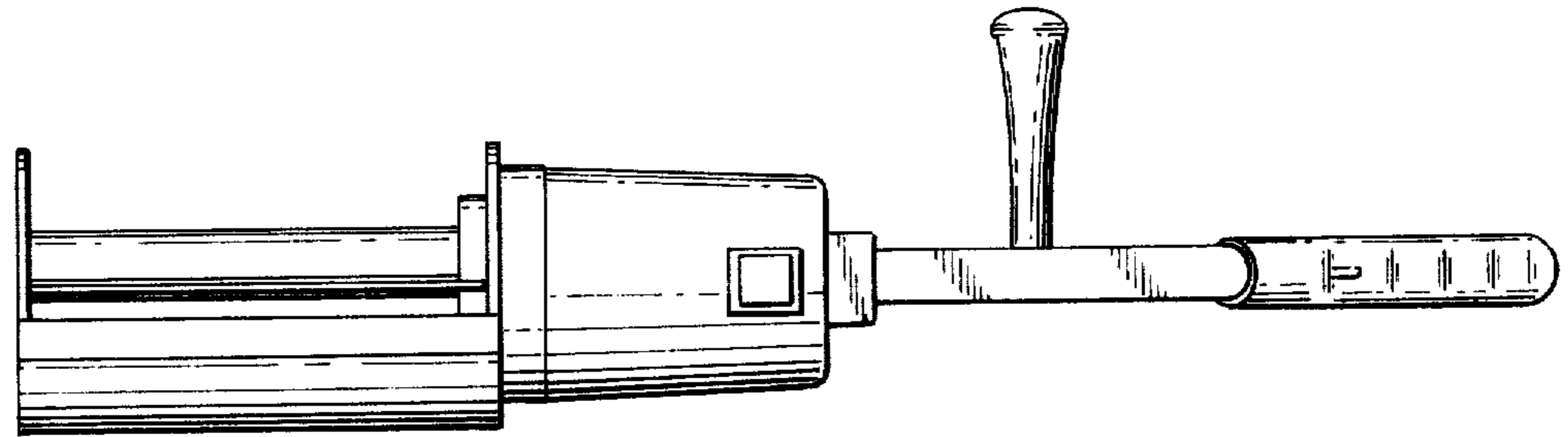
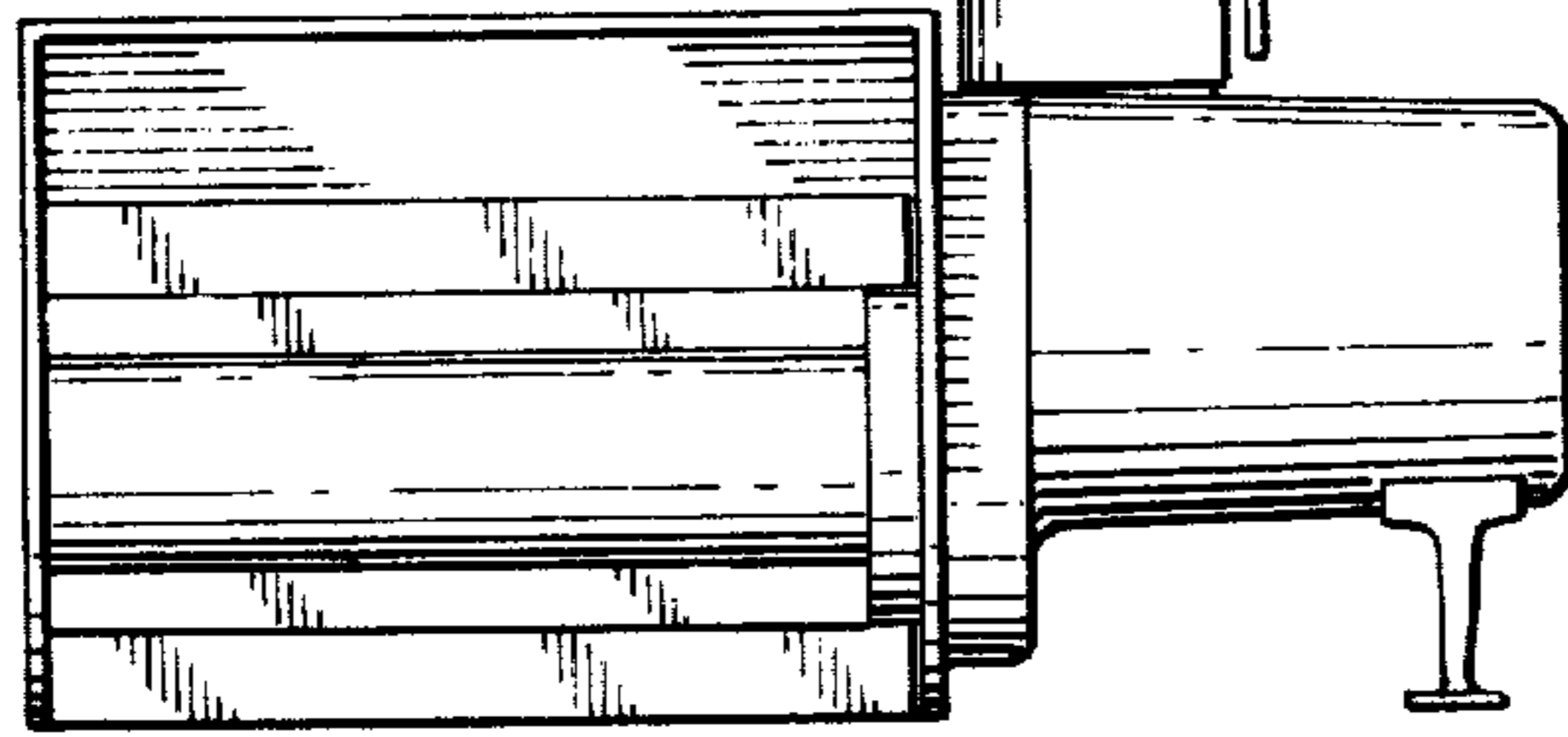




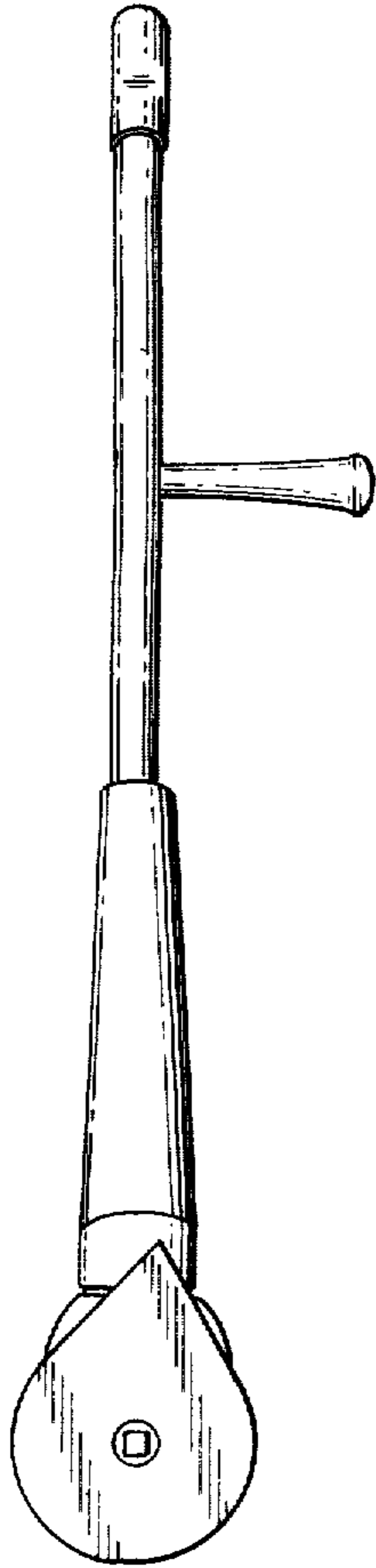
*FIG. 1*



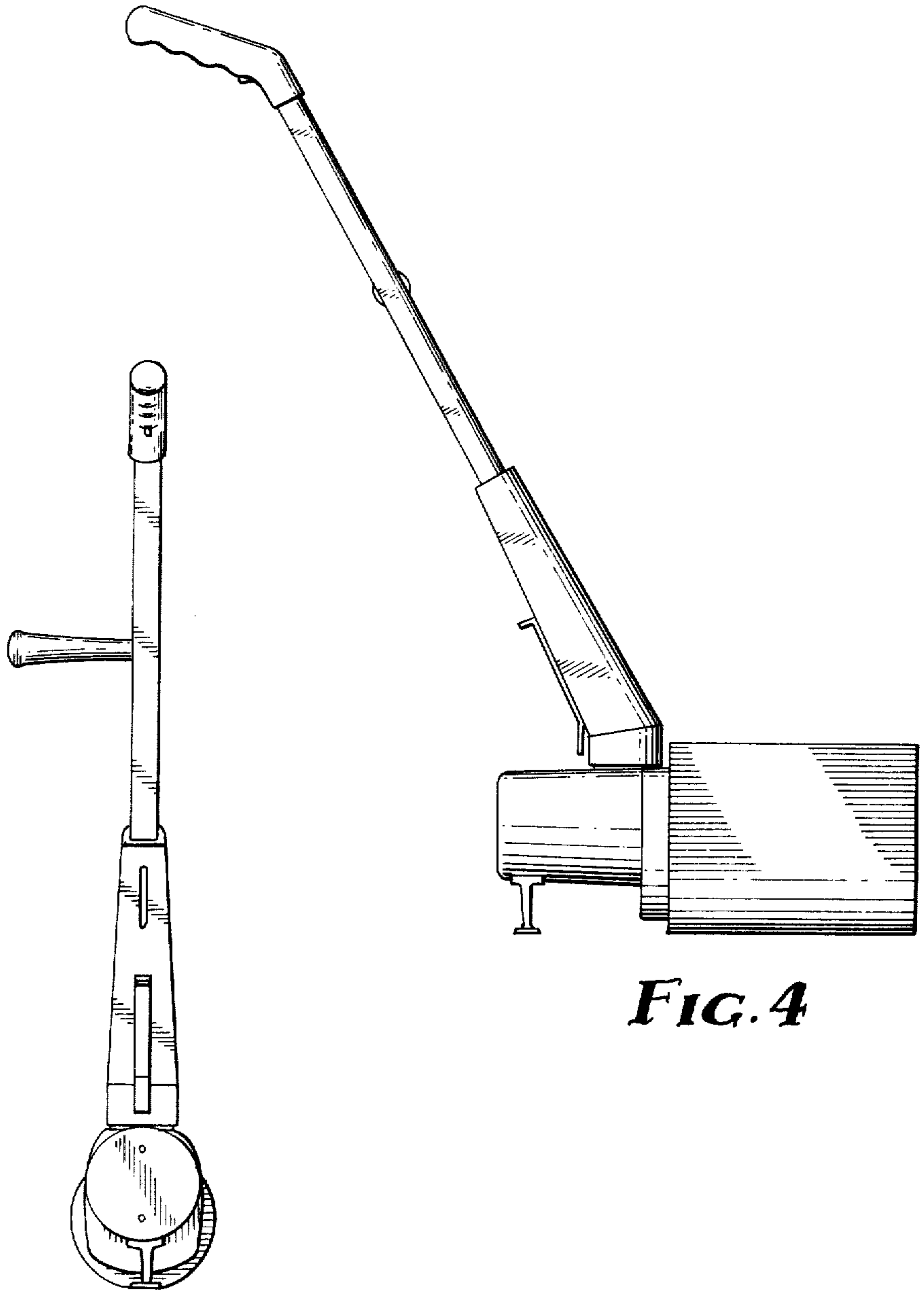
*FIG. 2*



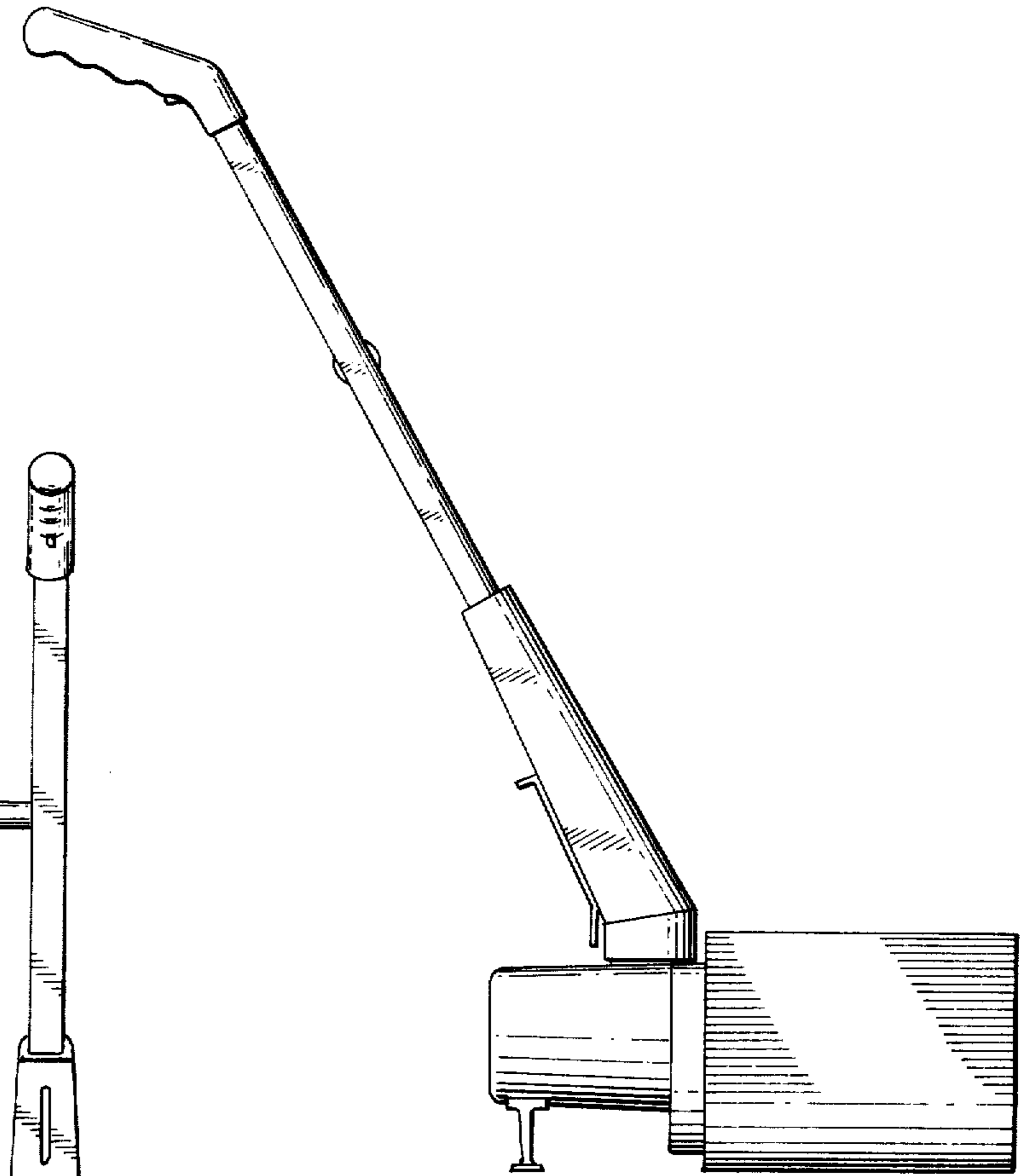
*FIG. 7*



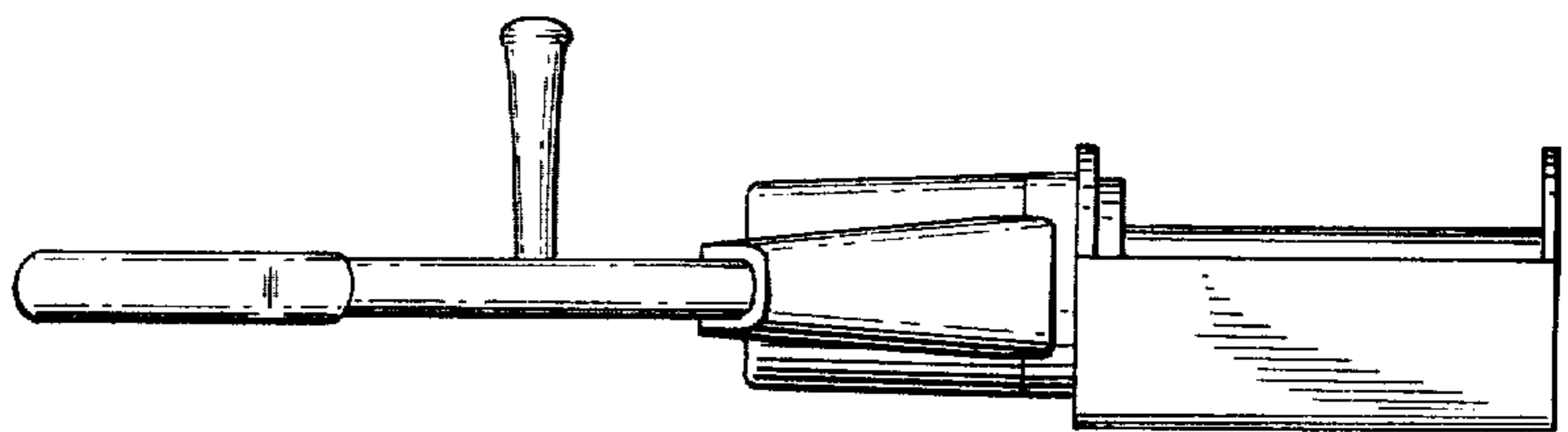
*FIG. 5*



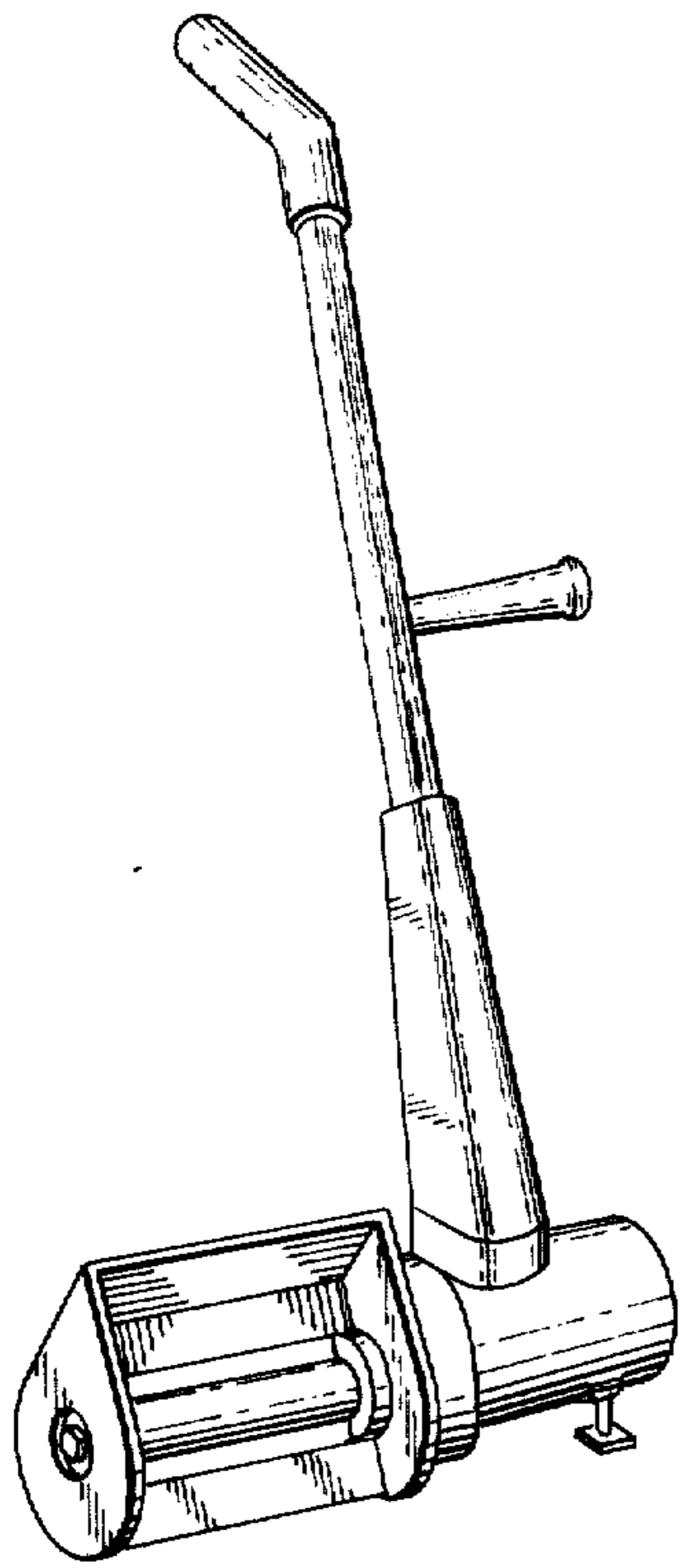
*FIG. 6*



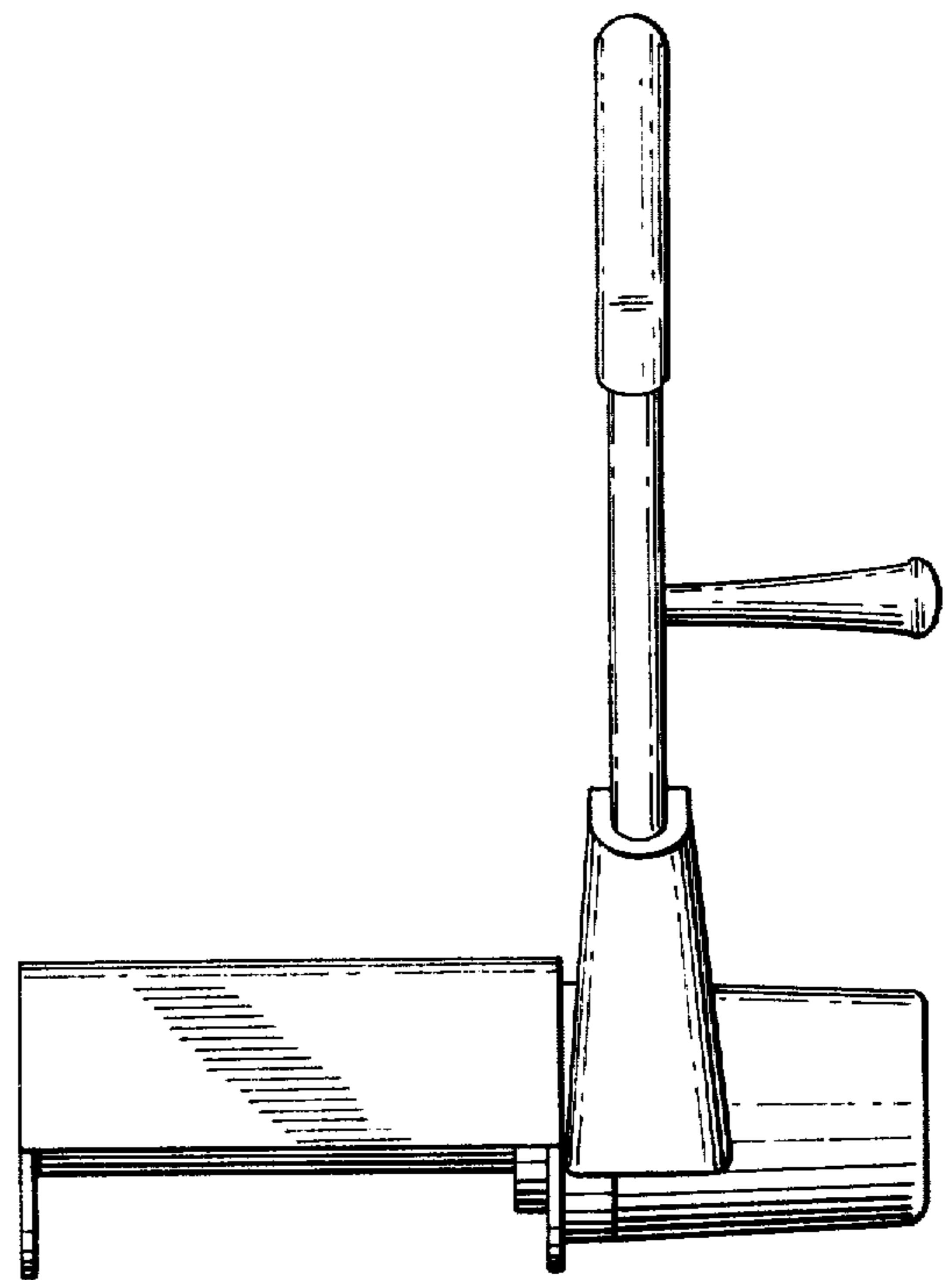
*FIG. 4*



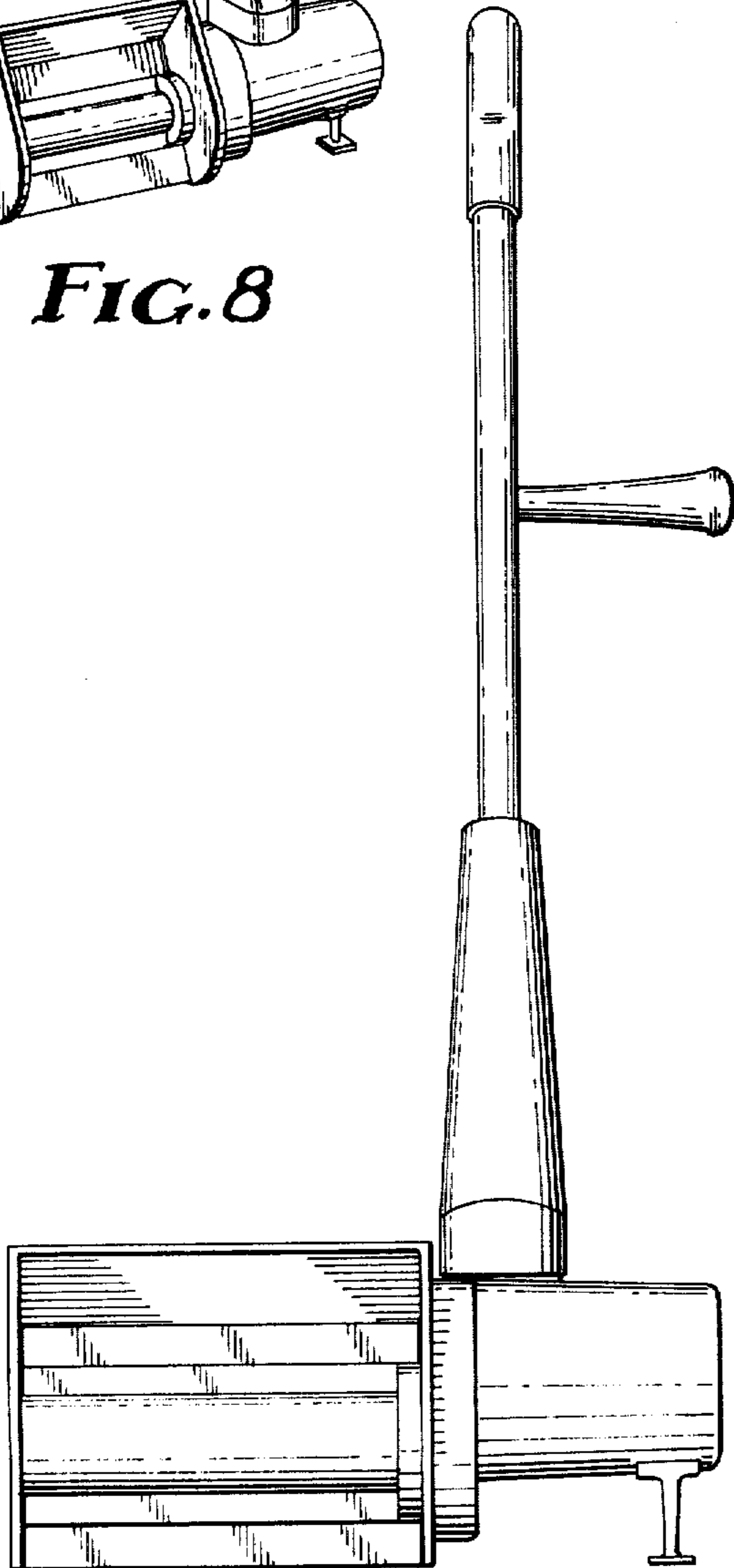
*FIG. 3*



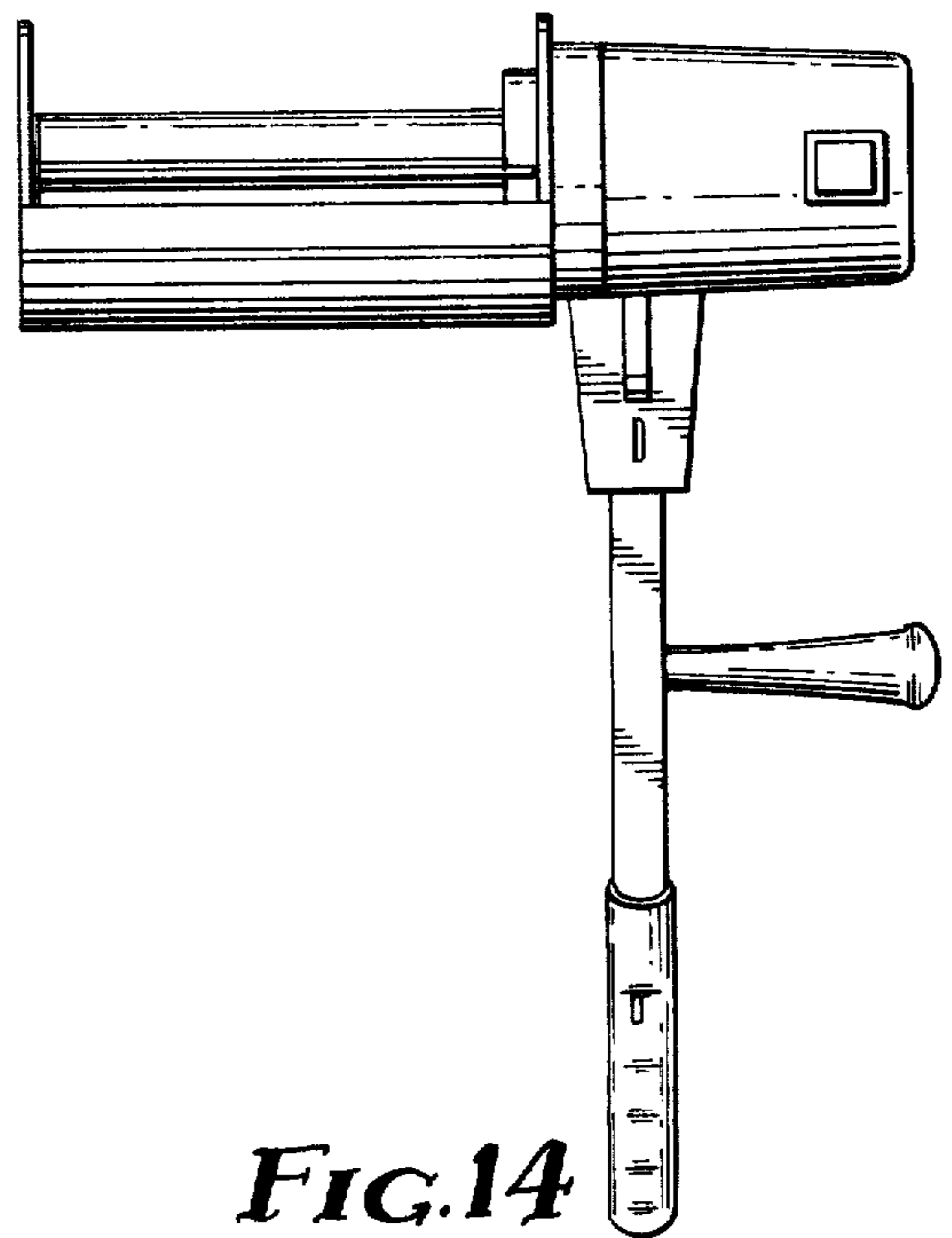
*FIG. 8*



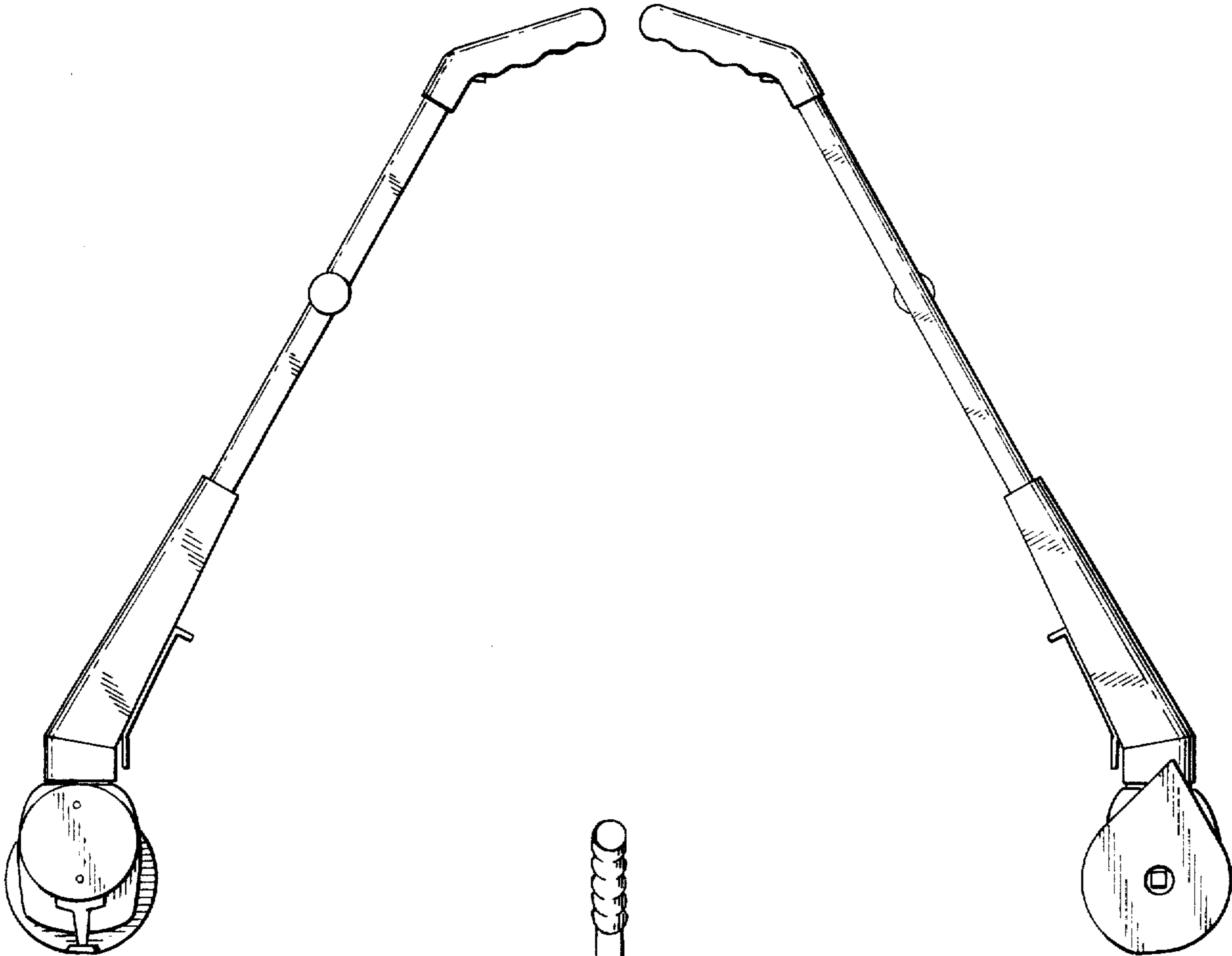
*FIG. 10*



*FIG. 9*

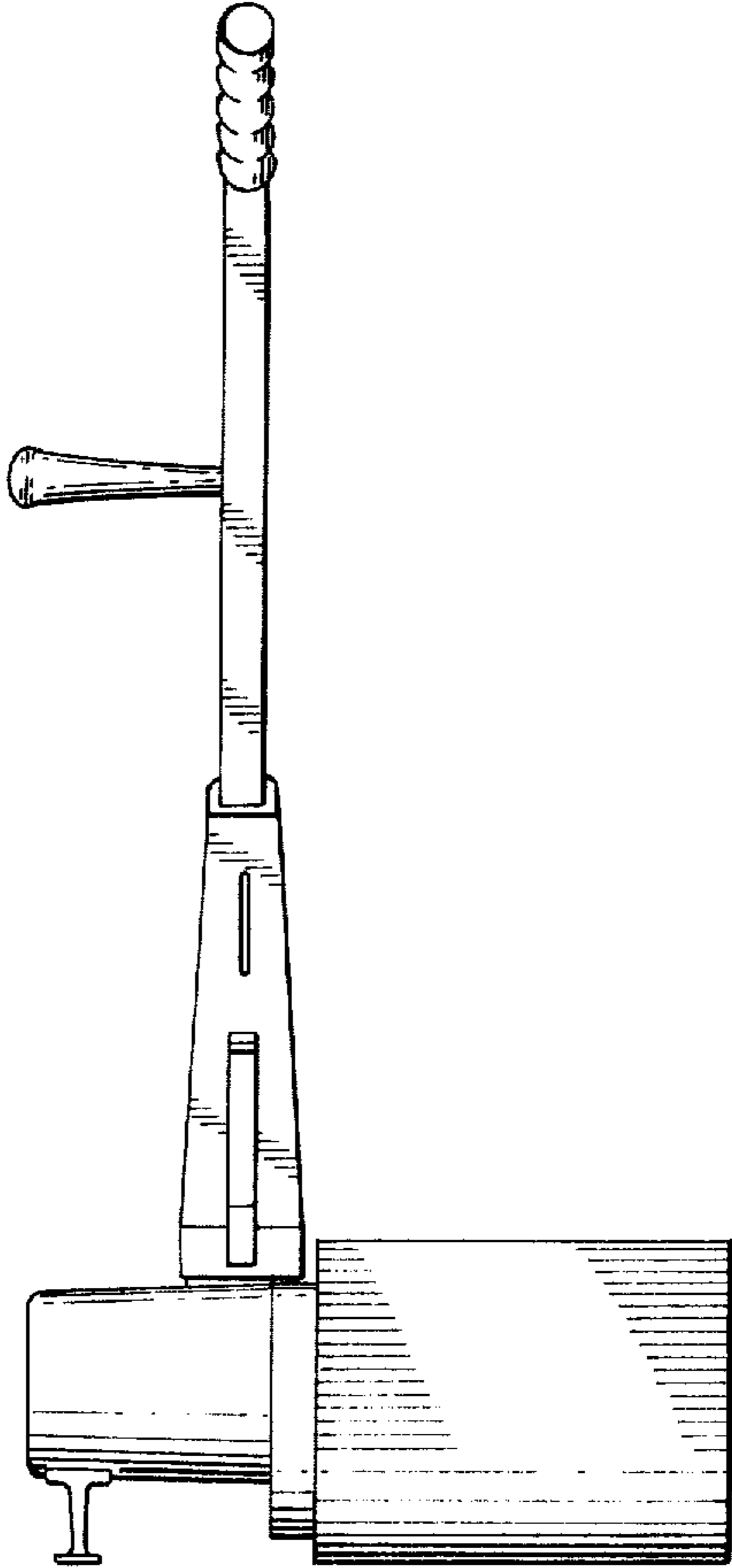


*FIG. 14*



*FIG. 12*

*FIG. 13*



*FIG. 11*