

[54] PADDLE BOAT

[75] Inventors: Paul K. Sabelhouse, Jr., Wolcottville;
Paul K. Sabelhouse, Sr., Rome City,
both of Ind.

[73] Assignee: Ayr-Way Industries, Inc.,
Kendallville, Ind.

[**] Term: 14 Years

[21] Appl. No.: 217,799

[22] Filed: Dec. 18, 1980

[51] Int. Cl. D12-06

[52] U.S. Cl. D12/306

[58] Field of Search D12/306, 310; 440/21,
440/25, 26, 27, 28, 29, 30

[56] References Cited

U.S. PATENT DOCUMENTS

D. 220,222	3/1971	Nolet	D12/306
D. 221,405	8/1971	Schropfer	D12/306
D. 230,349	2/1974	Kyryluk et al.	D12/306
D. 241,327	9/1976	Compton	D12/306
4,318,700	3/1982	Price	440/26

Primary Examiner—Alan P. Douglas
Attorney, Agent, or Firm—David A. Lundy

[57] CLAIM

The ornamental design for a paddle boat, as shown and described.

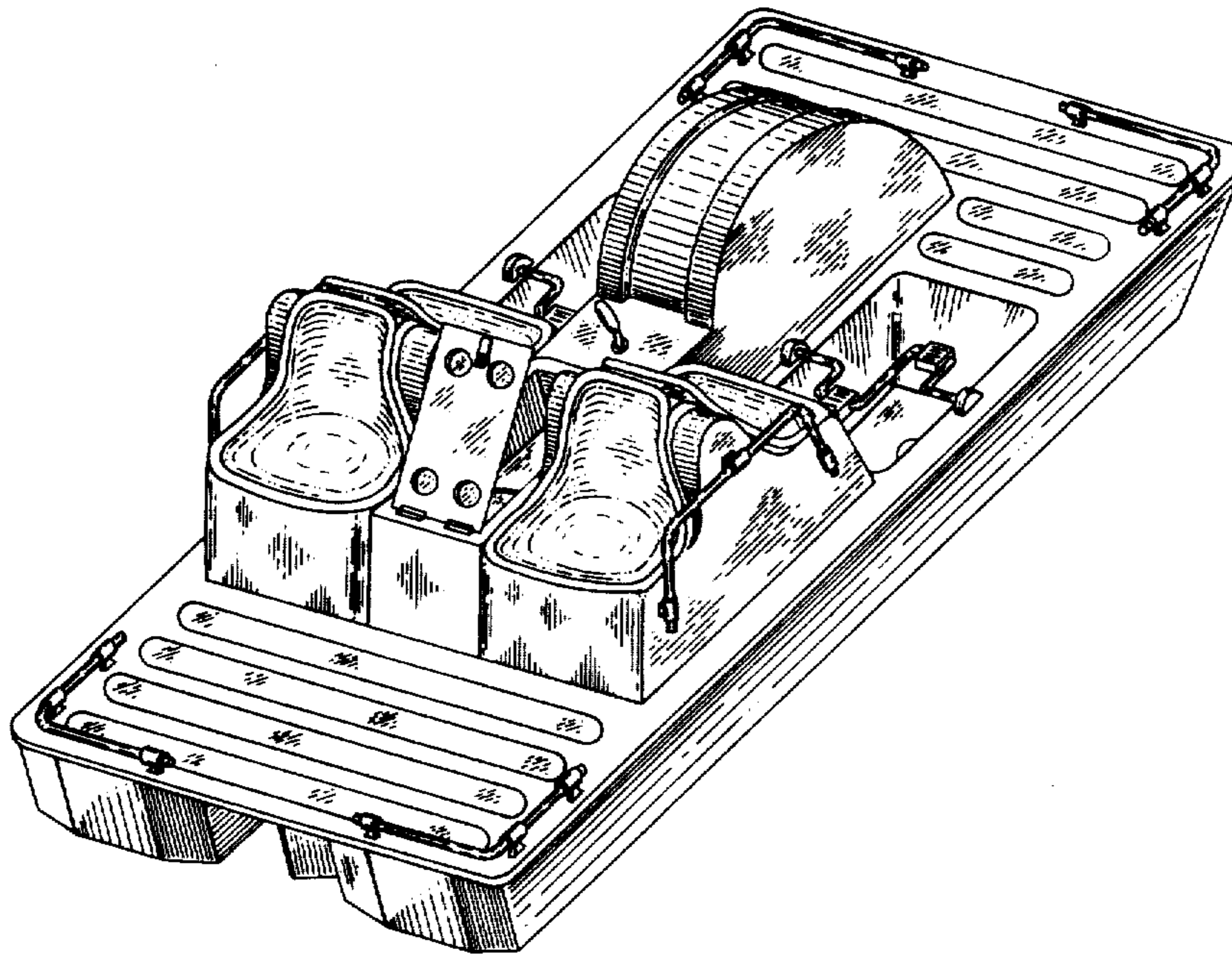
DESCRIPTION

FIG. 1 is a perspective view of the paddle boat showing my new design;

FIG. 2 is a top view thereof;

FIG. 3 is a bottom view thereof; and

FIG. 4 is a side view thereof; the diametrically opposite side view thereof is a mirror image thereof.



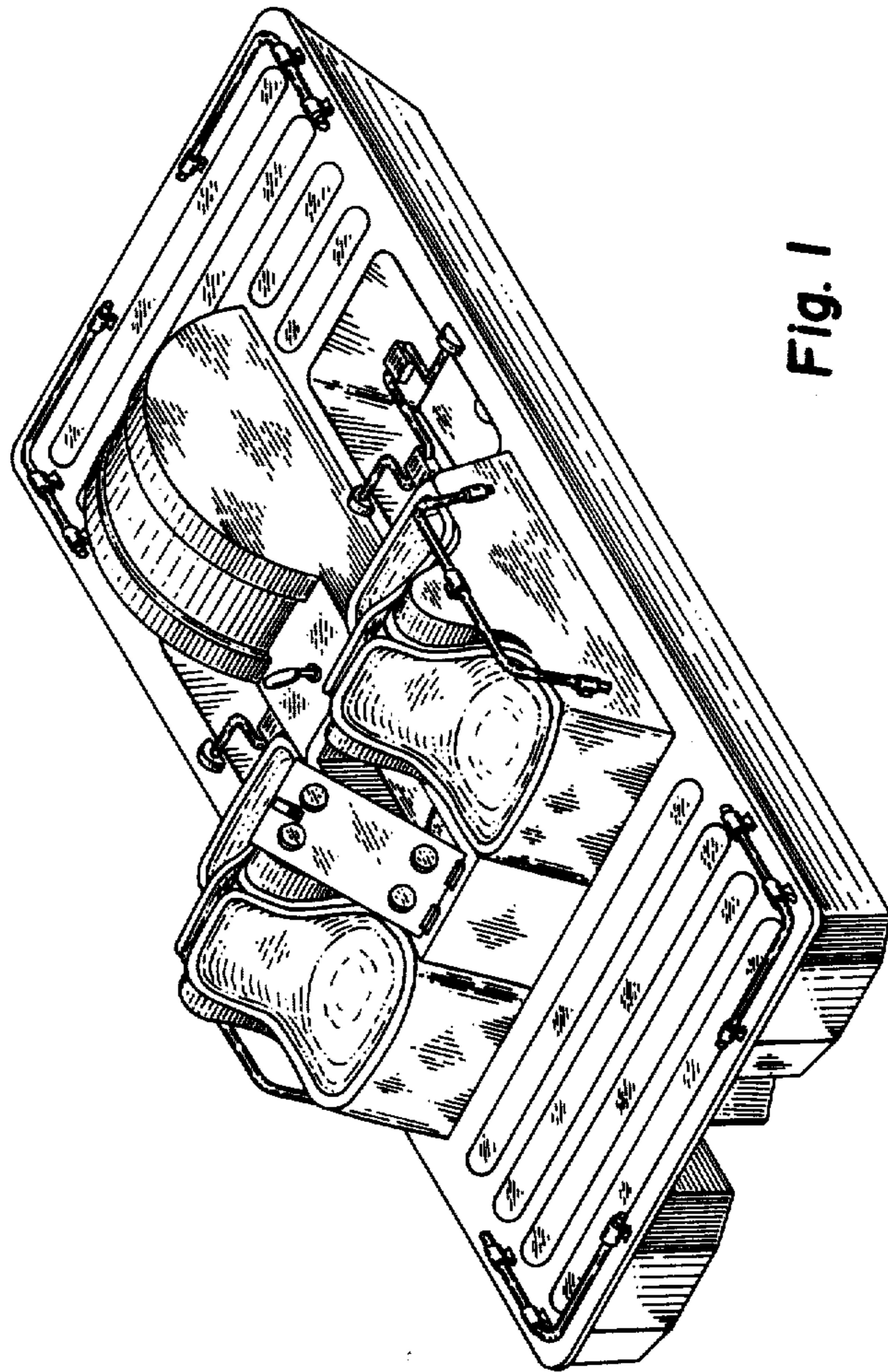


Fig. 1

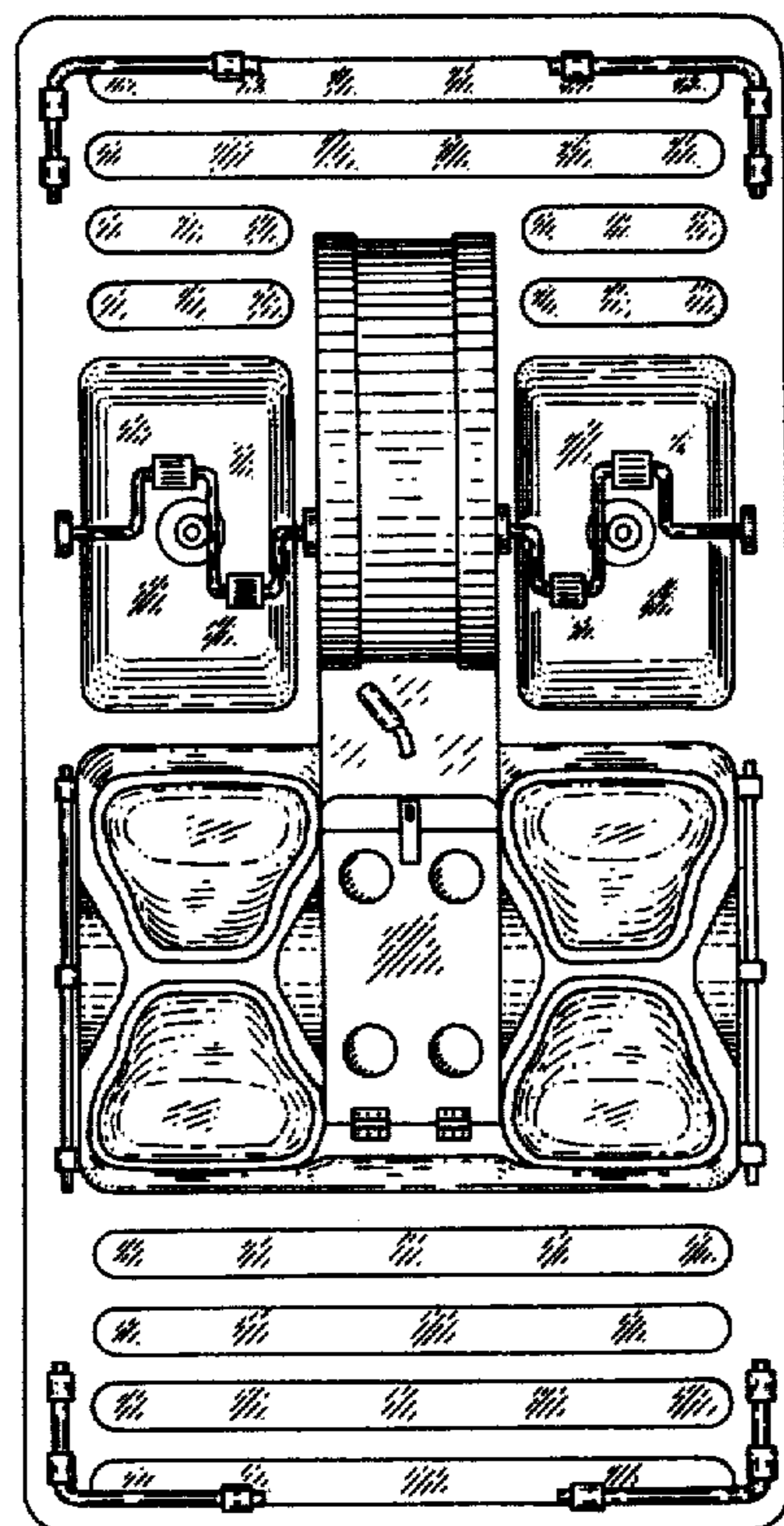


Fig. 2

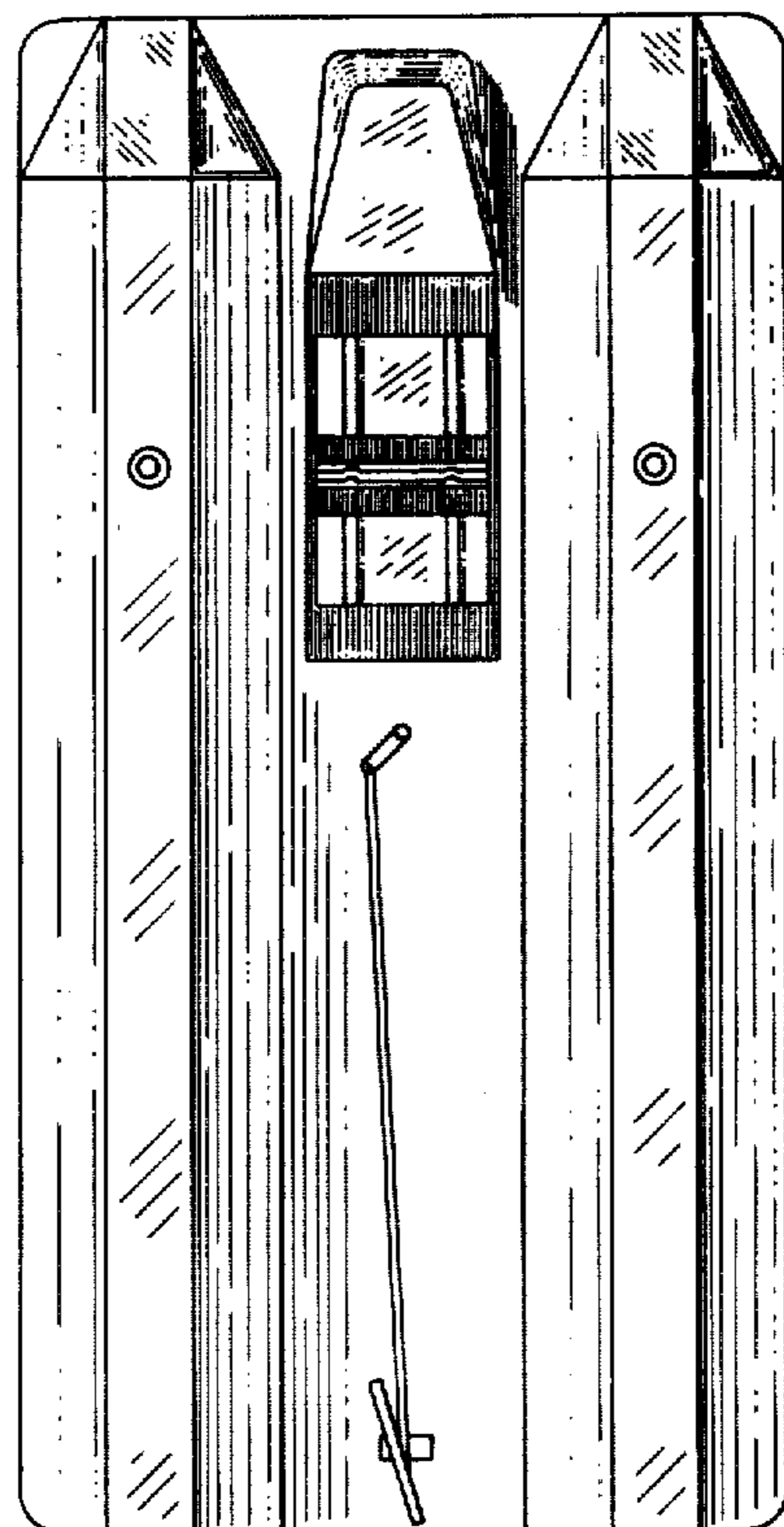


Fig. 3

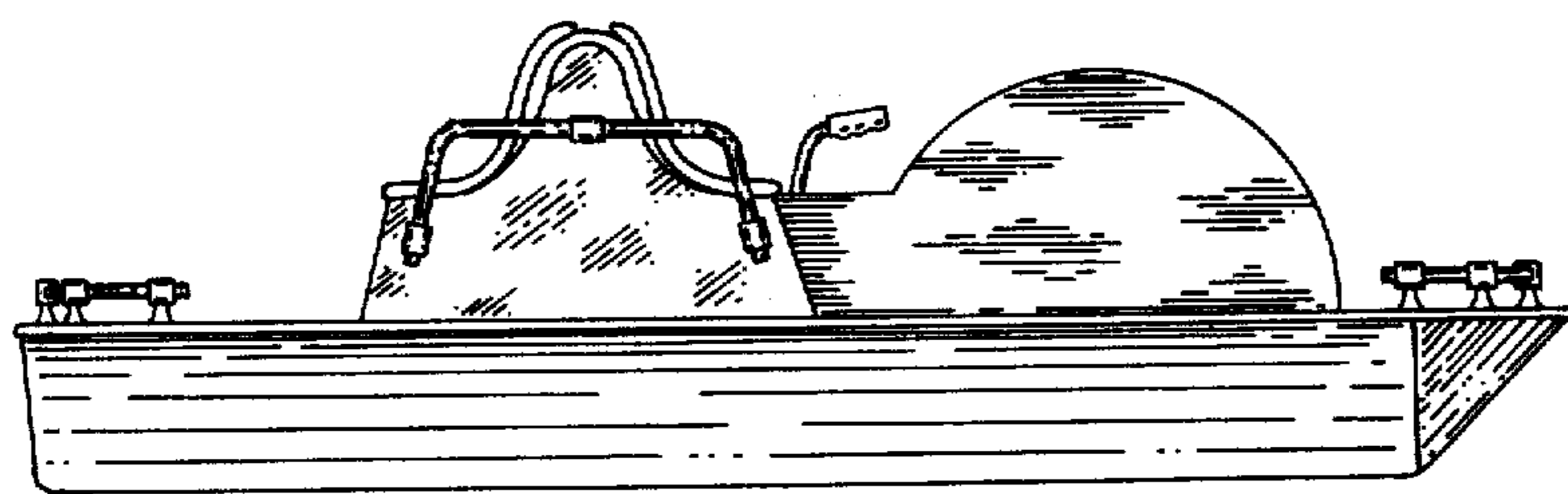


Fig. 4