

[54] WHEEL FOR MOTORCYCLE

[75] Inventors: Toshiyuki Suzuki, Shimada; Kazumi Inaba, Toyookamura; Kiyoshi Amaki, Kaga, all of Japan

[73] Assignee: Yamaha Hatsudoki Kabushiki Kaisha, Japan

[**] Term: 14 Years

[21] Appl. No.: 205,704

[22] Filed: Nov. 10, 1980

[30] Foreign Application Priority Data
May 13, 1980 [JP] Japan 55/18665

[51] Int. Cl. D12-16
[52] U.S. Cl. D12/205
[58] Field of Search D12/205, 207; 301/9 S,
301/9 DP, 37 SS, 64 R, 64 SD, 65, 66, 67, 73,
74, 79

[56] References Cited

U.S. PATENT DOCUMENTS

D. 218,964 10/1970 Shimano et al. D12/205
D. 239,272 3/1976 Campagnolo D12/205
D. 248,640 7/1978 Hsieh D12/207
1,041,097 10/1912 Kennedy D12/205

OTHER PUBLICATIONS

Cycle World, 2/80, p. 24, Motorcycle Wheel, top center of page.

Primary Examiner—James M. Gandy
Attorney, Agent, or Firm—Ostrolenk, Faber, Gerb & Soffen

[57] CLAIM

The ornamental design for a wheel for motorcycle, as shown.

DESCRIPTION

FIG. 1 is a perspective view of a wheel for motorcycle showing our new design;
FIG. 2 is a front elevational view thereof;
FIG. 3 is a rear elevational view thereof;
FIG. 4 is a top plan view thereof;
FIG. 5 is a bottom plan view thereof;
FIG. 6 is a left side elevational view thereof; and
FIG. 7 is a right side elevational view thereof.

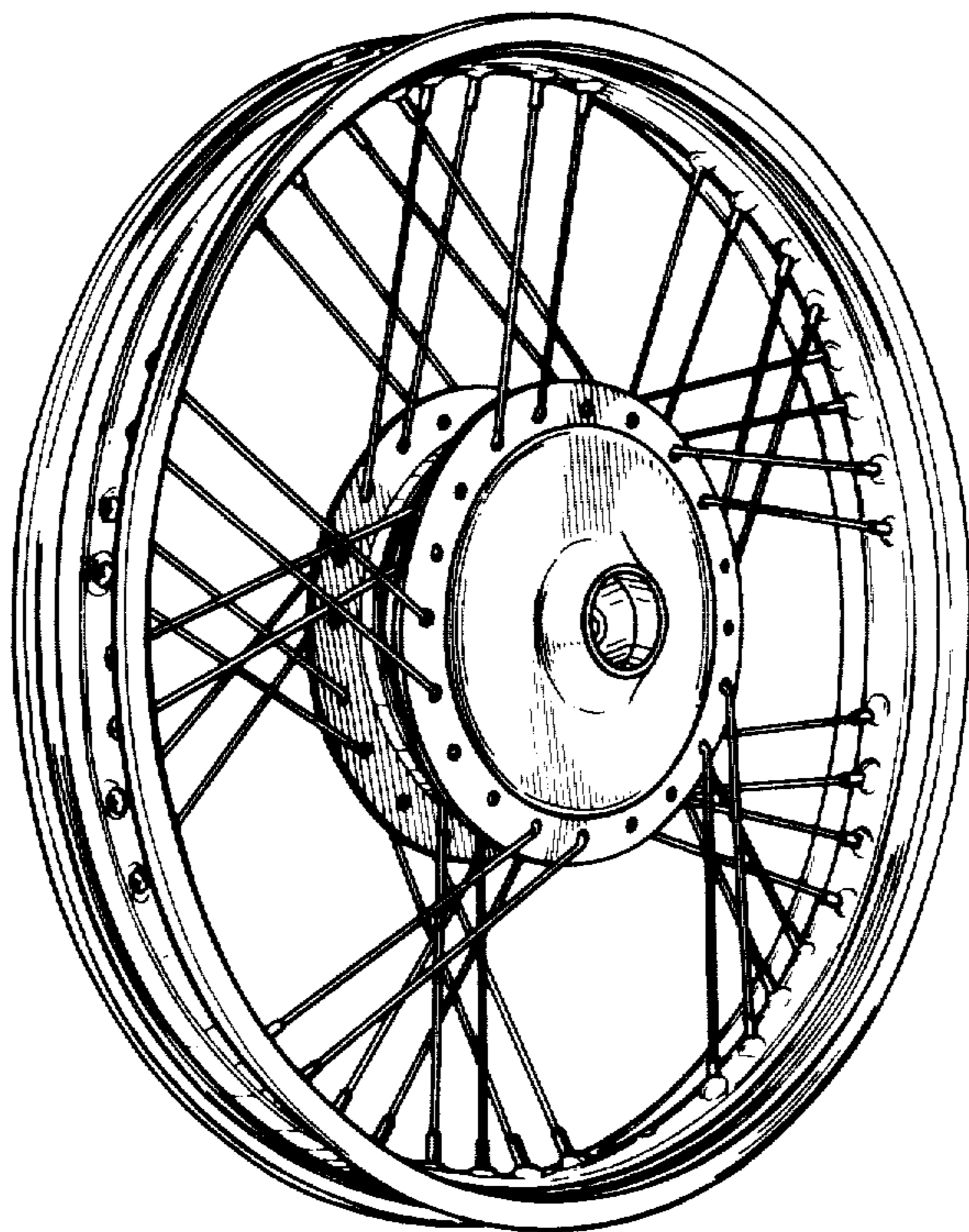


FIG. 1

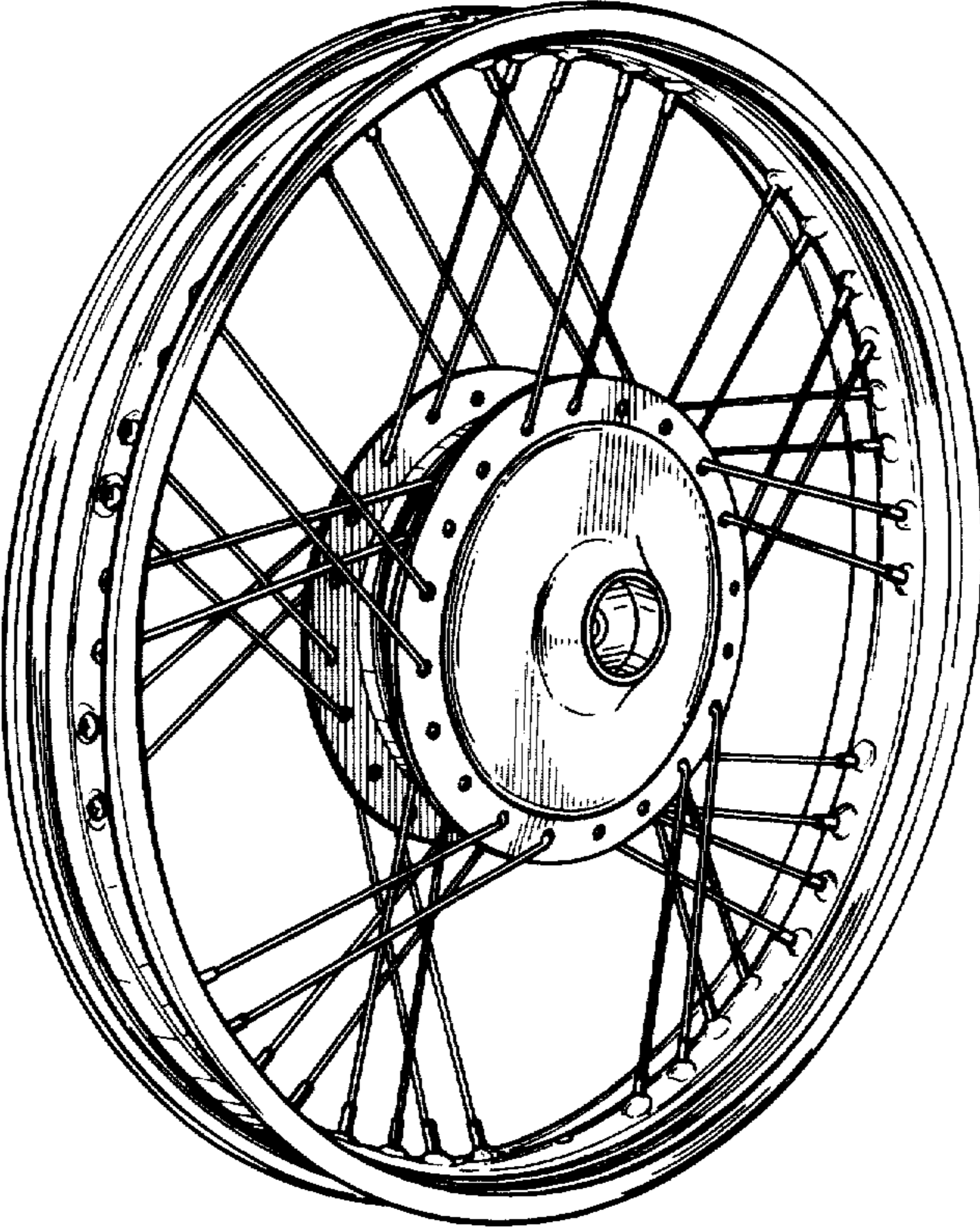


FIG. 2

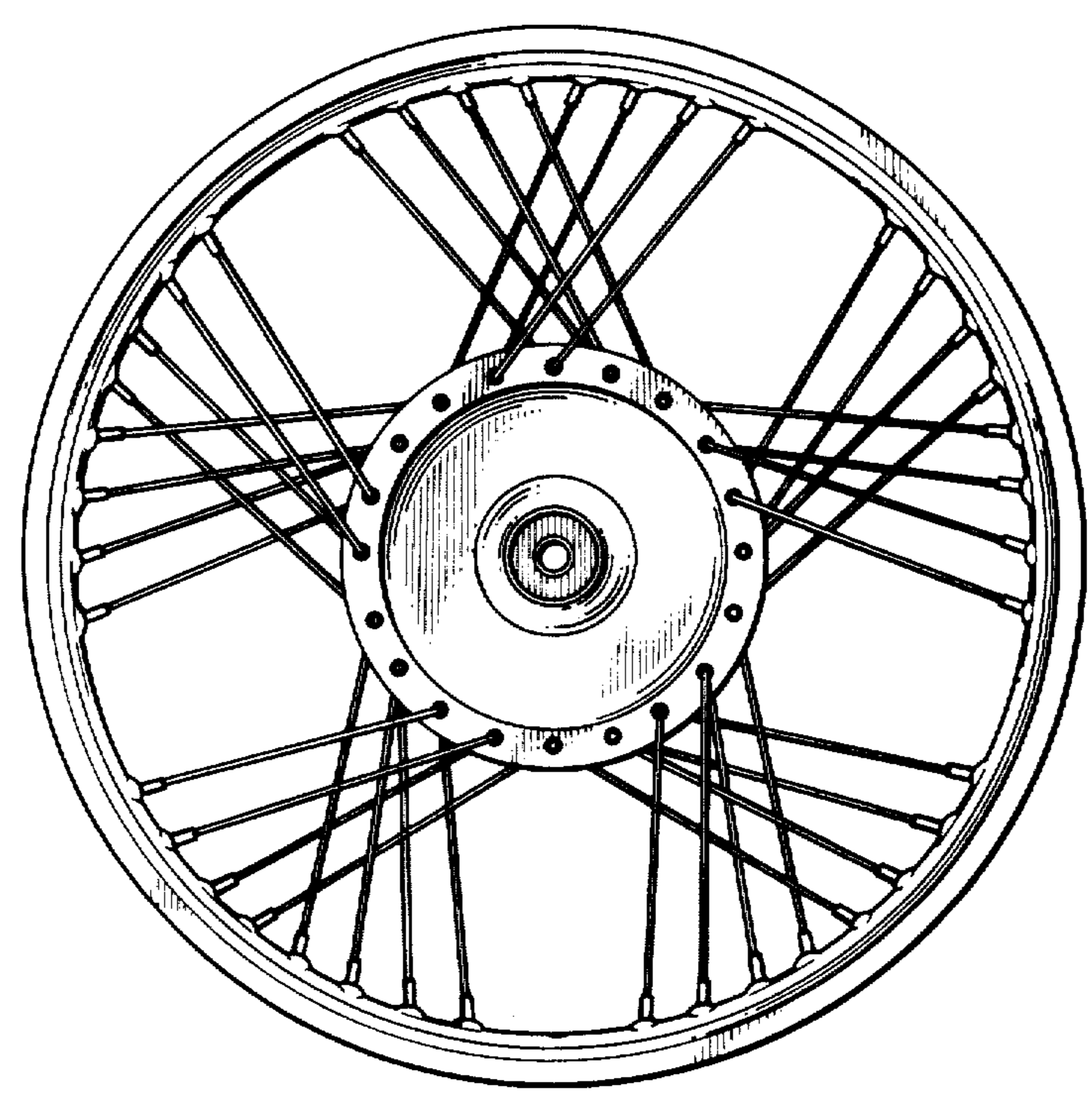


FIG.3

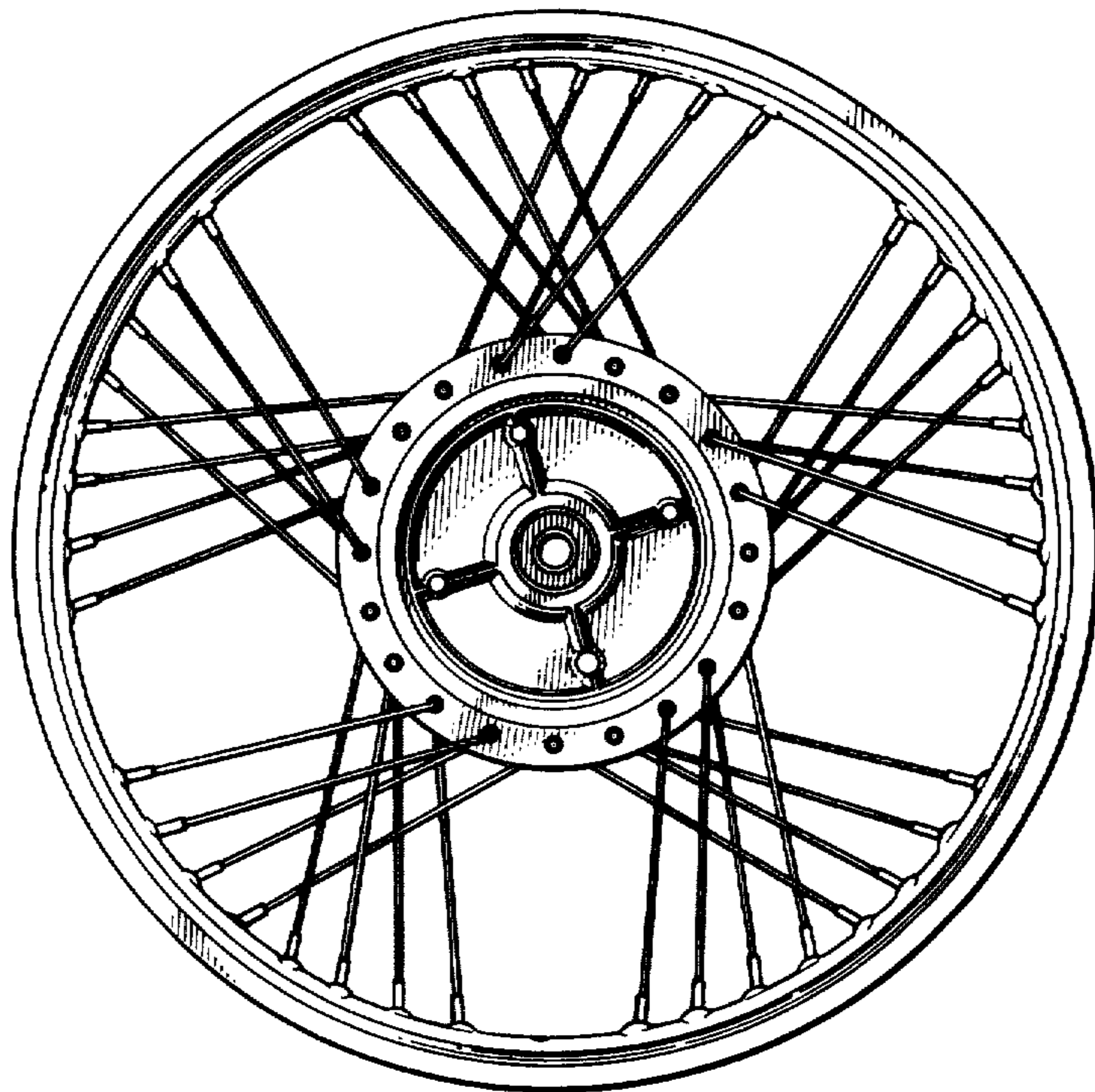


FIG.4

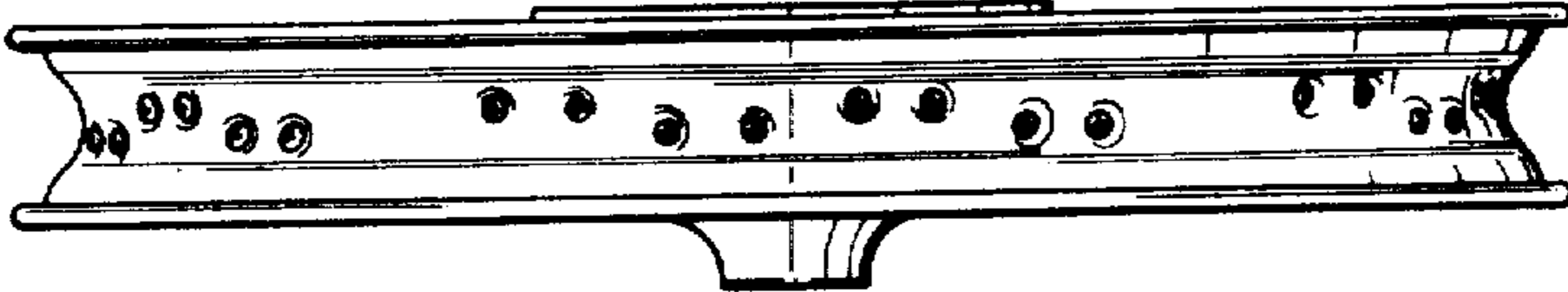


FIG.5

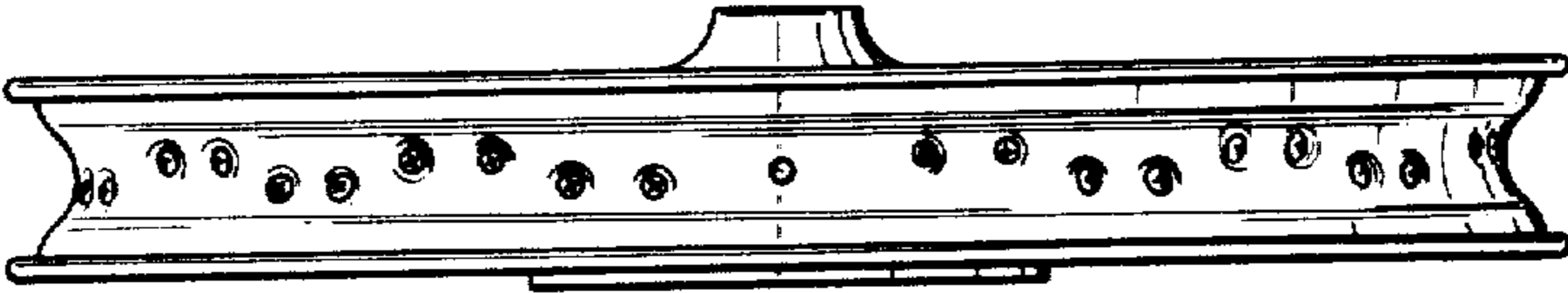


FIG.6

FIG.7

