

[54] **TRANSPORTATION VEHICLE**

[76] Inventor: **Gilbert L. Gordon**, 3513 Clark Rd.,  
Indianapolis, Ind. 46224

[\*\*] Term: **14 Years**

[21] Appl. No.: **226,049**

[22] Filed: **Jan. 19, 1981**

[51] Int. Cl. .... **D12-08**

[52] U.S. Cl. .... **D12/85**

[58] Field of Search ..... **D12/85; 180/210, 211,  
180/215; D21/87**

[56] **References Cited**

**U.S. PATENT DOCUMENTS**

D. 242,696 12/1976 Keyes ..... **D12/85**

**OTHER PUBLICATIONS**

Auto News, 4/24/61, p. 10, Three Wheel Vehicle.

*Primary Examiner*—James M. Gandy  
*Attorney, Agent, or Firm*—Woodard, Weikart, Emhardt  
& Naughton

[57] **CLAIM**

The ornamental design for a transportation vehicle, as shown and described.

**DESCRIPTION**

FIG. 1 is a top plan view of my transportation vehicle showing my new design;

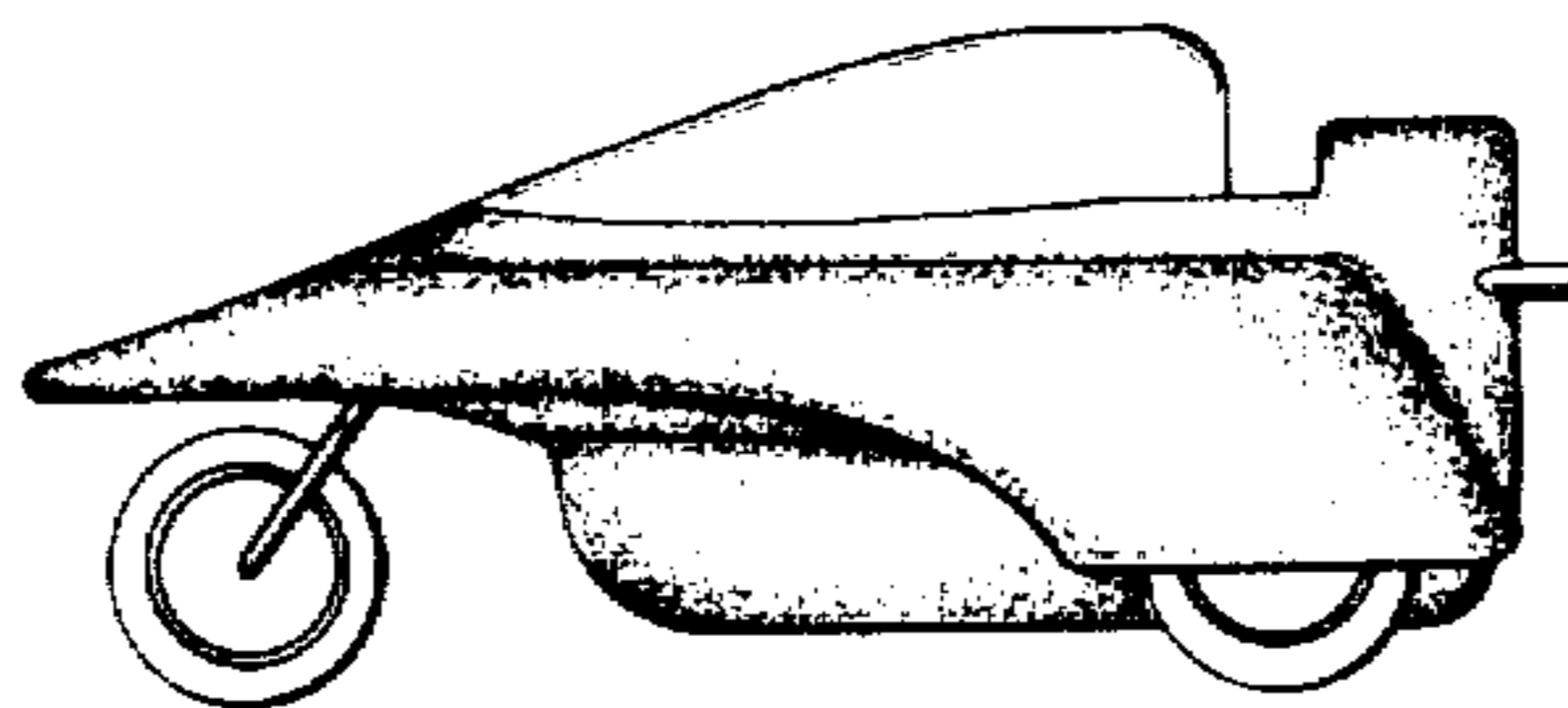
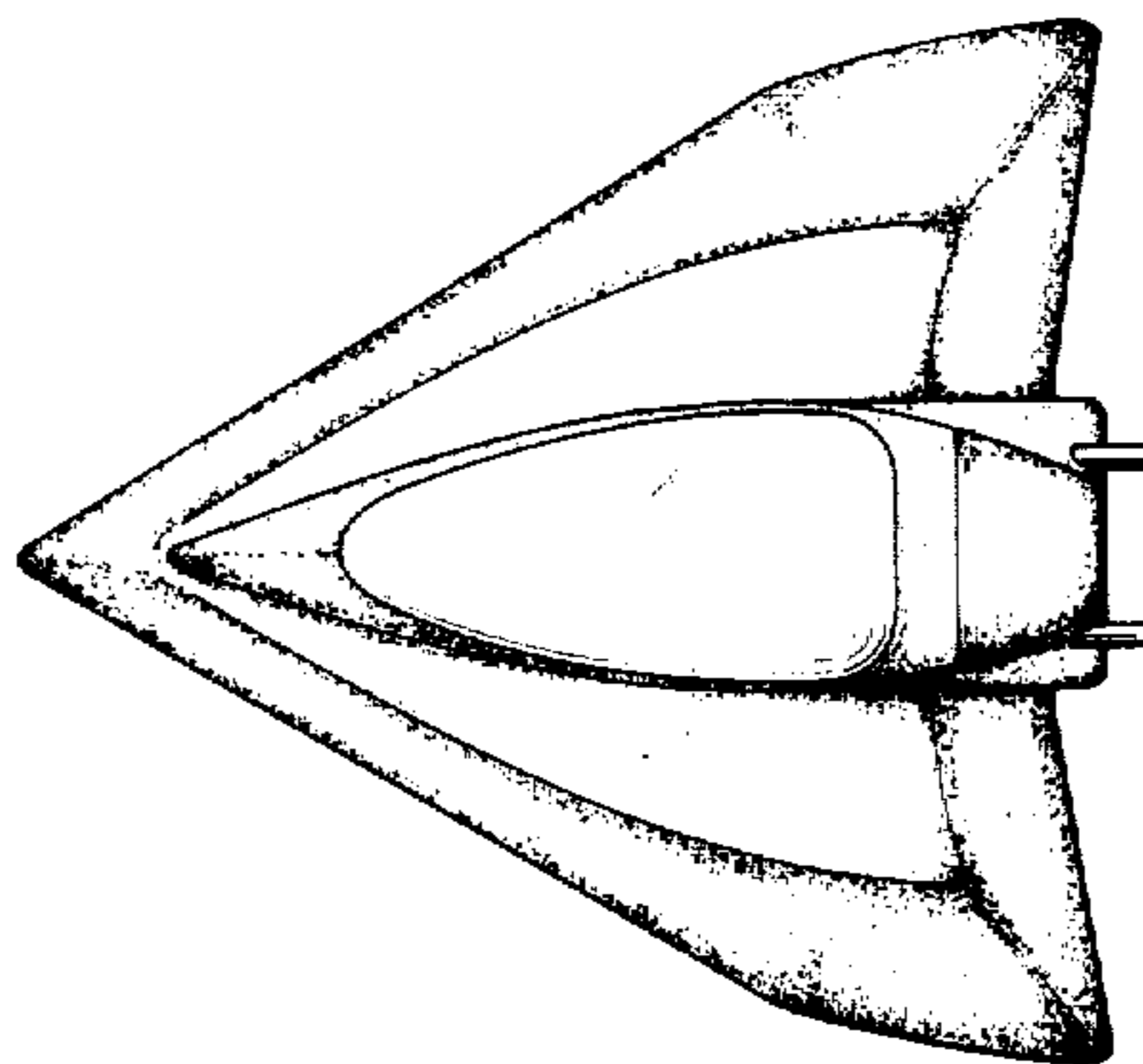
FIG. 2 is a left side elevation view thereof;

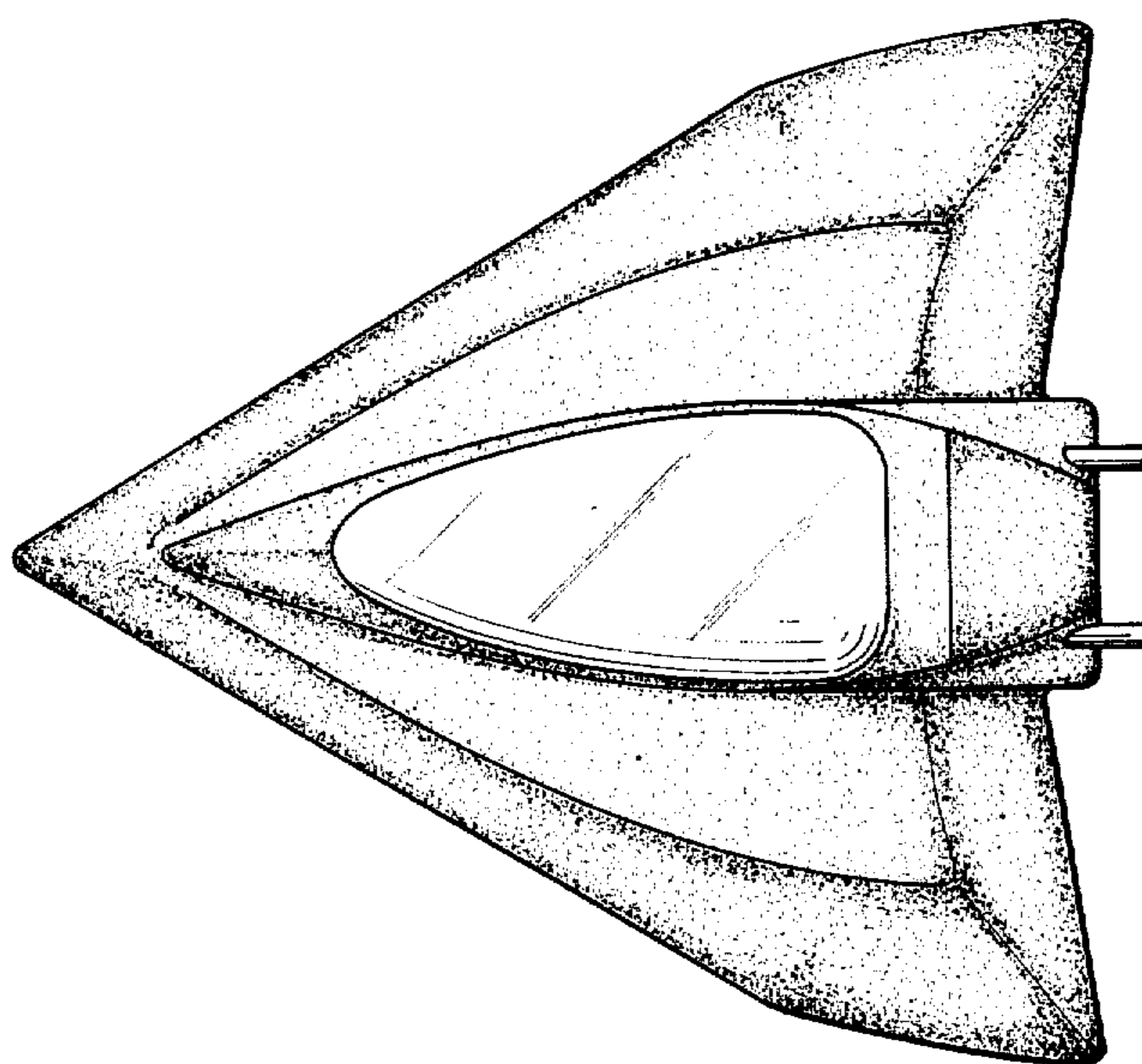
FIG. 3 is a front elevation view thereof;

FIG. 4 is a rear elevation view thereof;

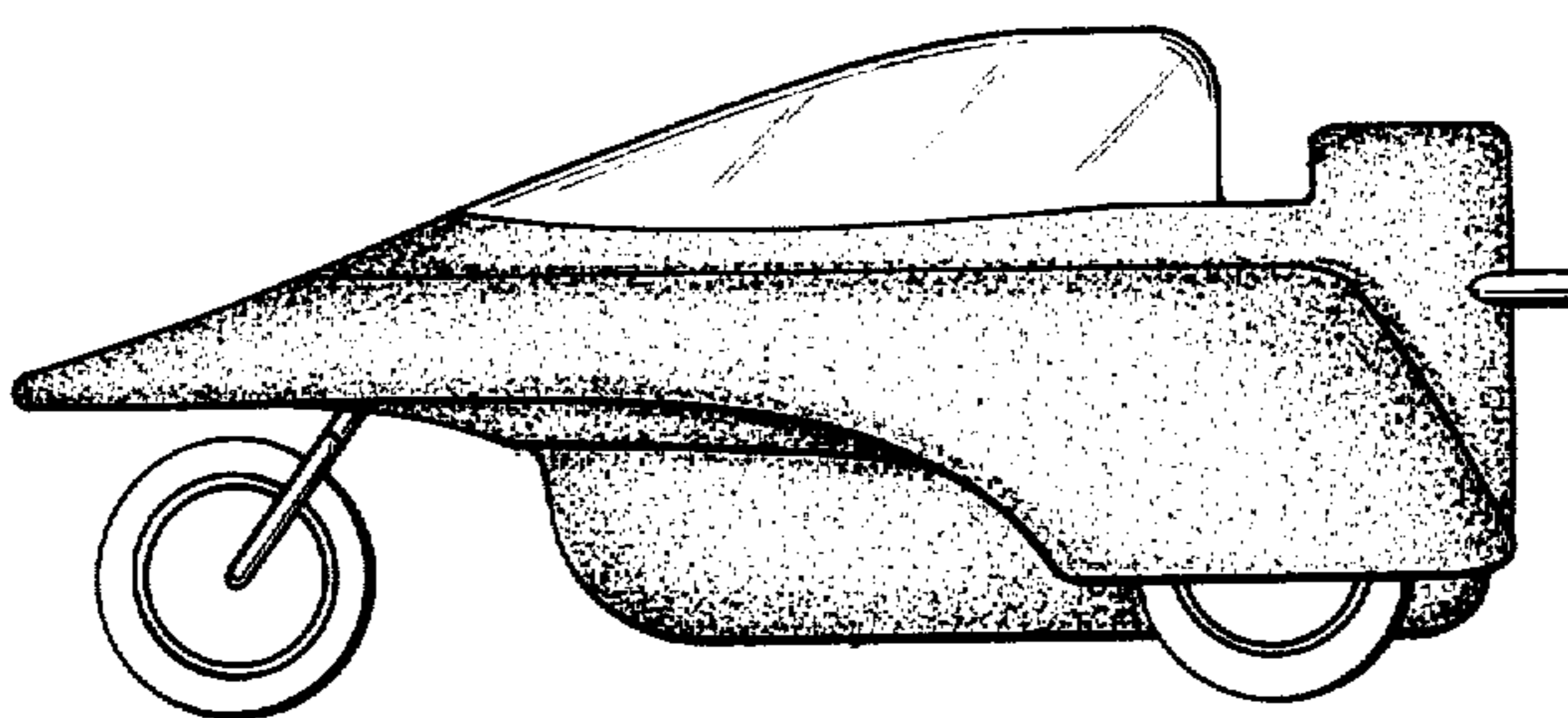
FIG. 5 is a right side elevation view thereof;

FIG. 6 is a bottom plan view thereof.

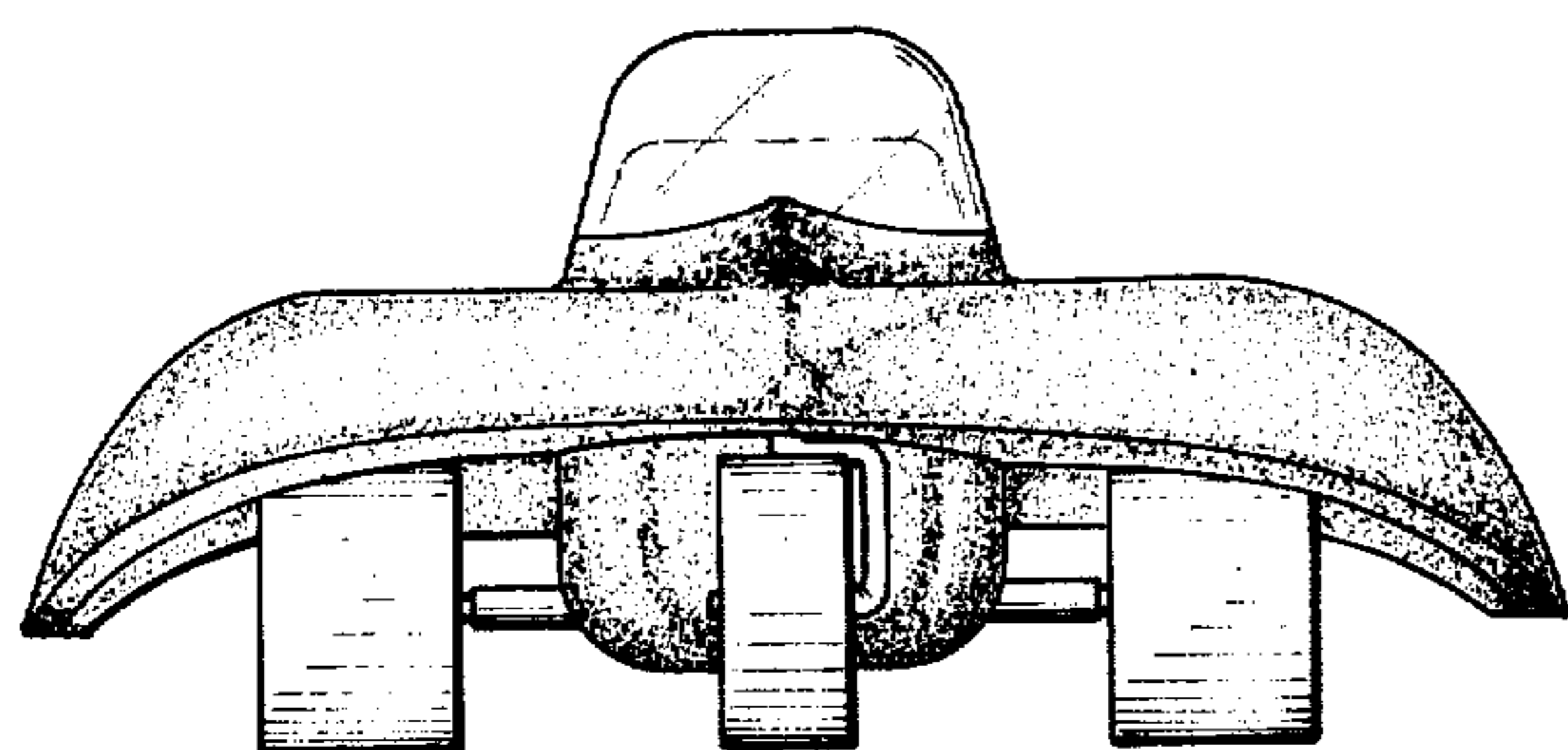




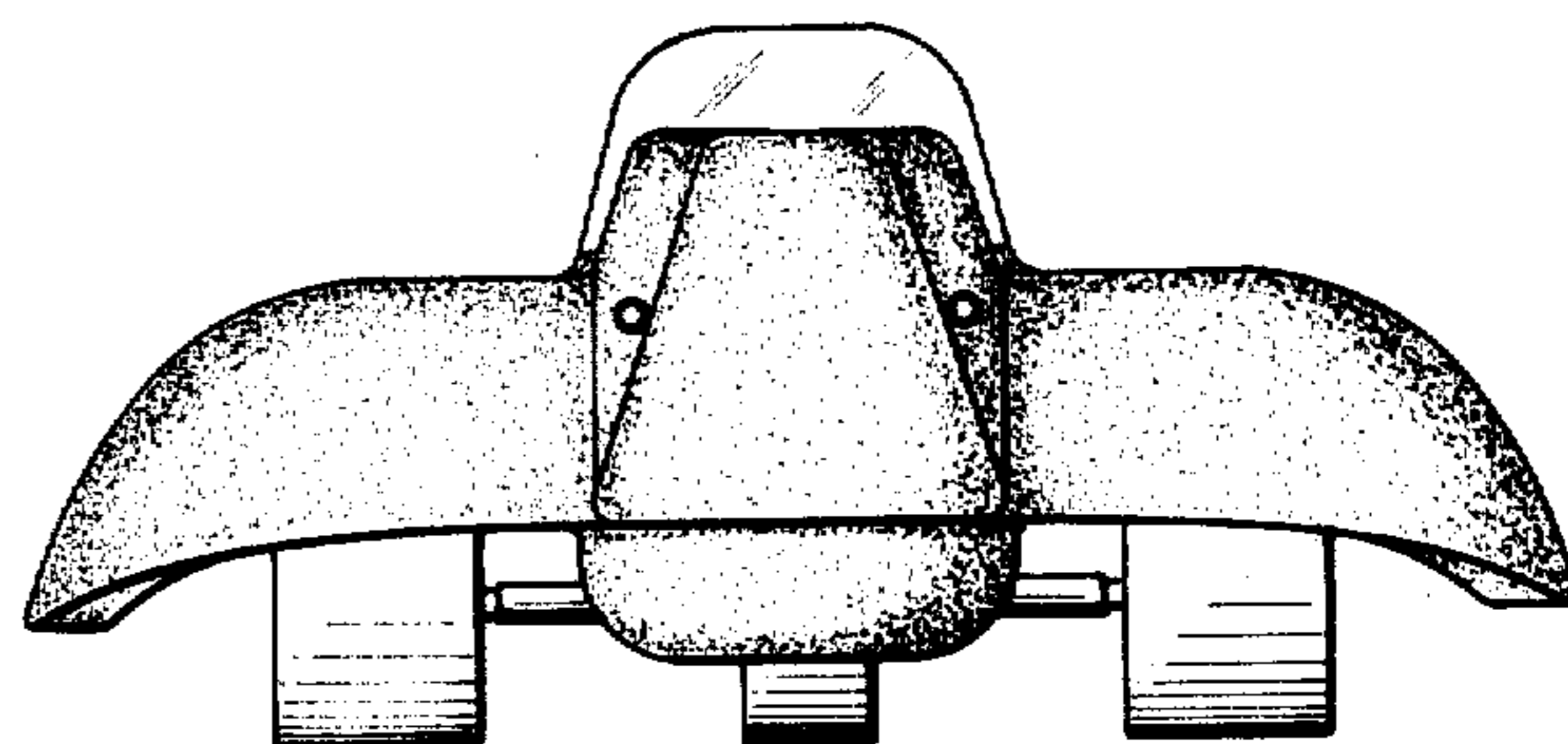
*FIG. 1*



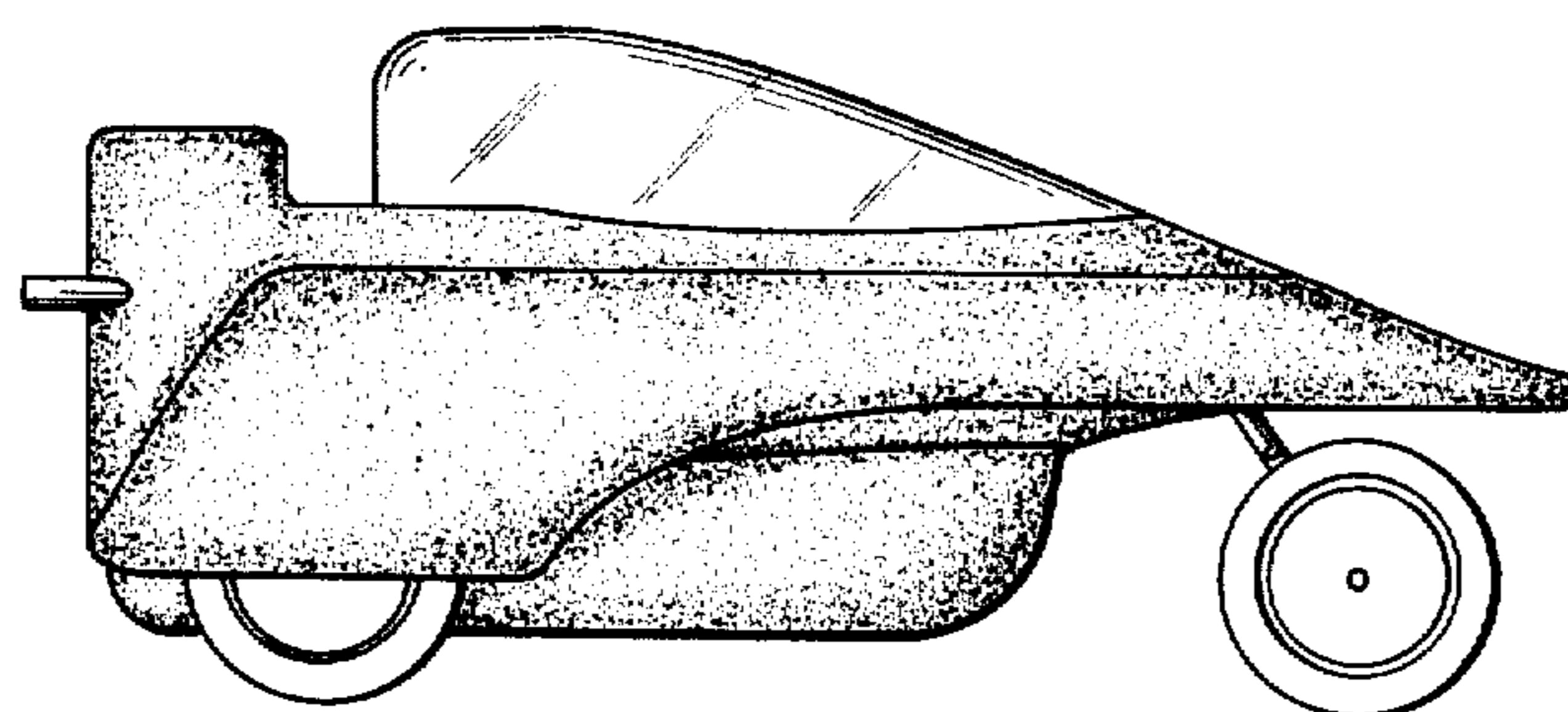
*FIG. 2*



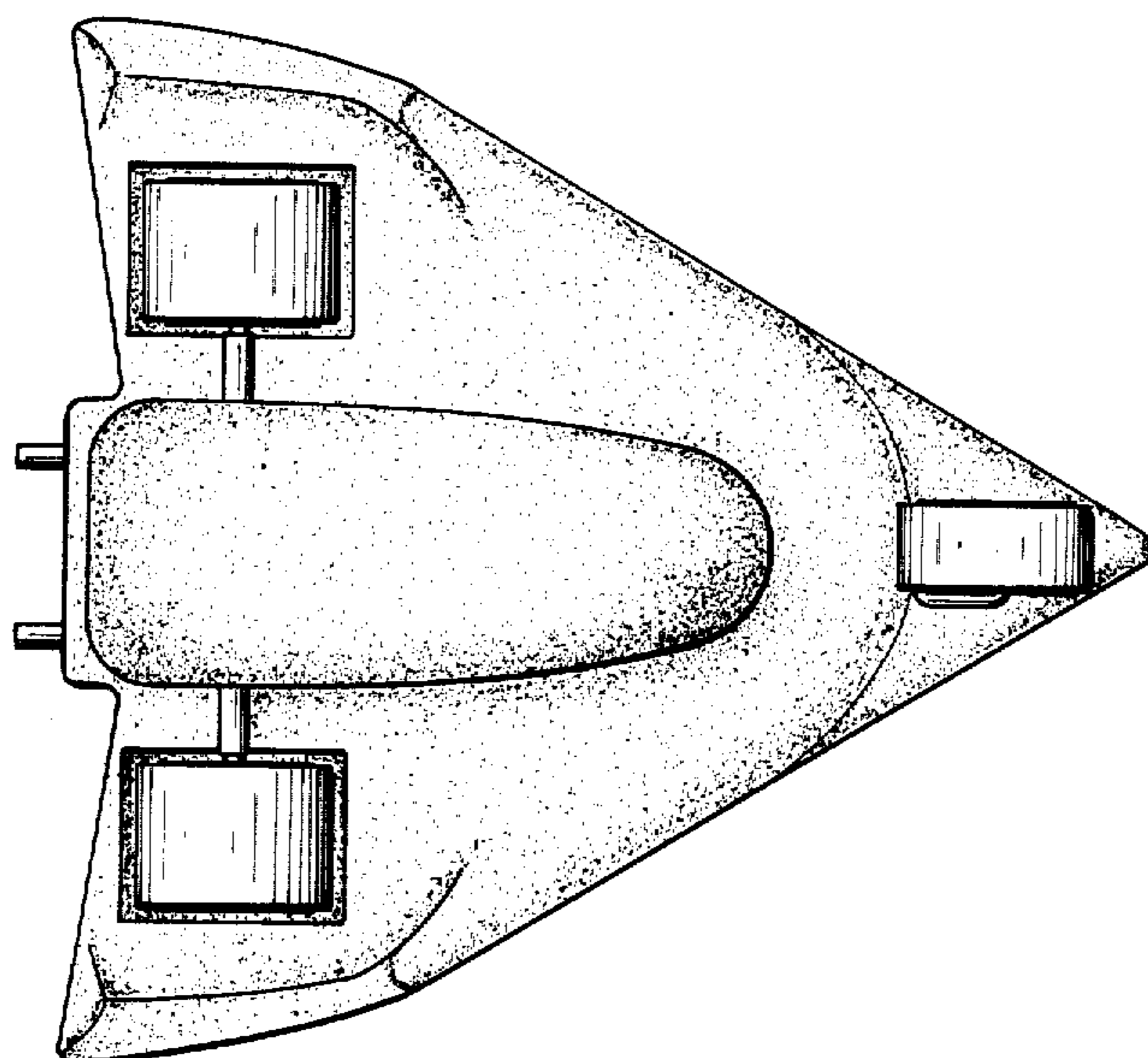
*FIG. 3*



*FIG. 4*



*FIG. 5*



*FIG. 6*