

[54] MACRAME MEASURE

[76] Inventor: Suzie Swenson, 29 Red Deer Rd., Londonderry, N.H. 03053

[\*\*] Term: 14 Years

[21] Appl. No.: 243,059

[22] Filed: Mar. 12, 1981

[51] Int. Cl. .... D10-04

[52] U.S. Cl. .... D10/71

[58] Field of Search ..... D10/70, 71, 72; 223/46; 33/190, 174, 125 R; 28/147

[56] References Cited

U.S. PATENT DOCUMENTS

- D. 188,806 9/1960 Davis ..... D10/71
- 2,245,903 6/1941 Cone ..... 28/147
- 2,353,640 7/1944 Bishop ..... 28/147

- 3,854,179 12/1974 Montoya ..... 28/147
- 3,857,143 12/1974 Montory ..... 30/124 X
- 4,337,578 7/1982 Seals ..... 33/125

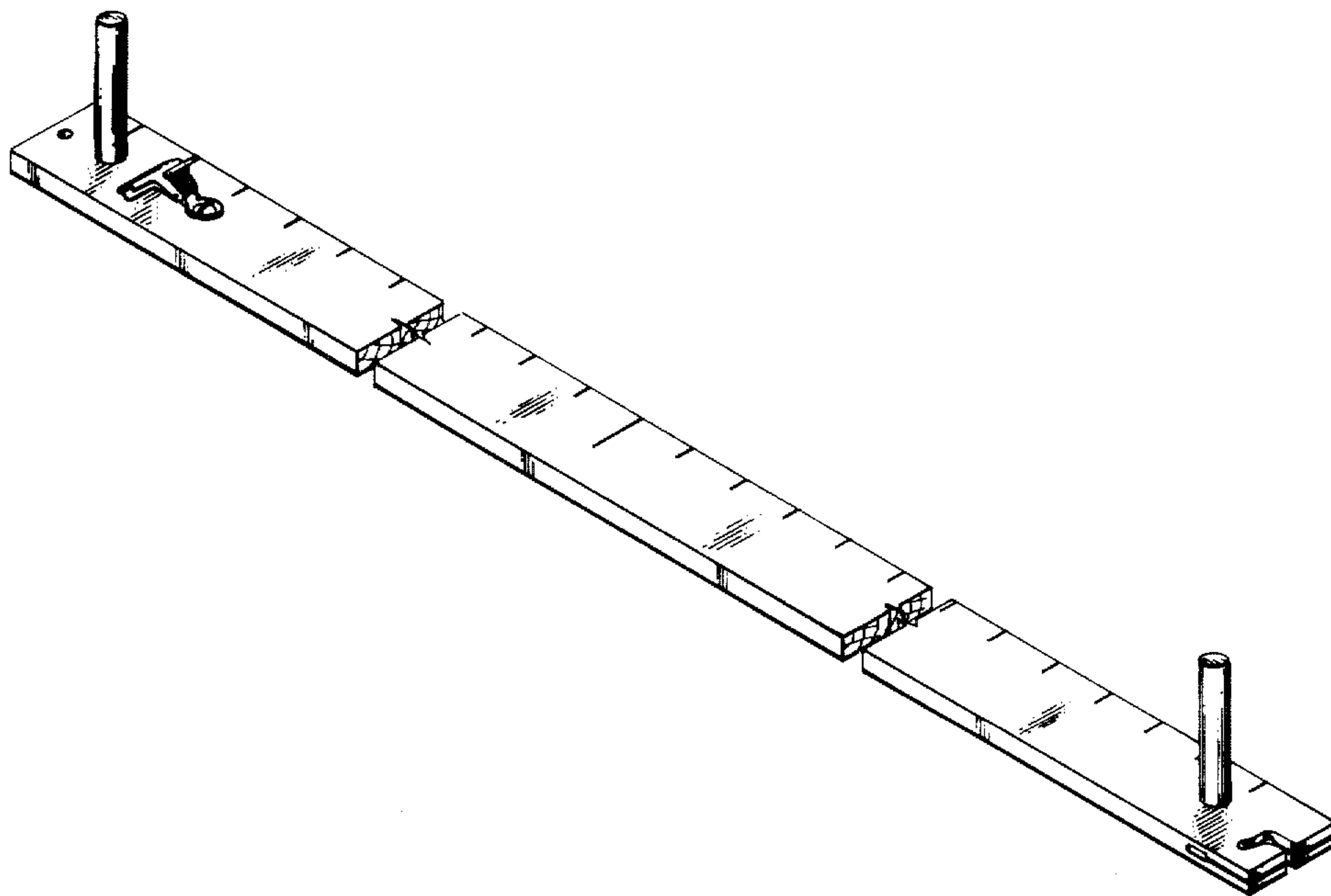
Primary Examiner—Nelson C. Holtje  
Attorney, Agent, or Firm—Hayes, Davis & Soloway

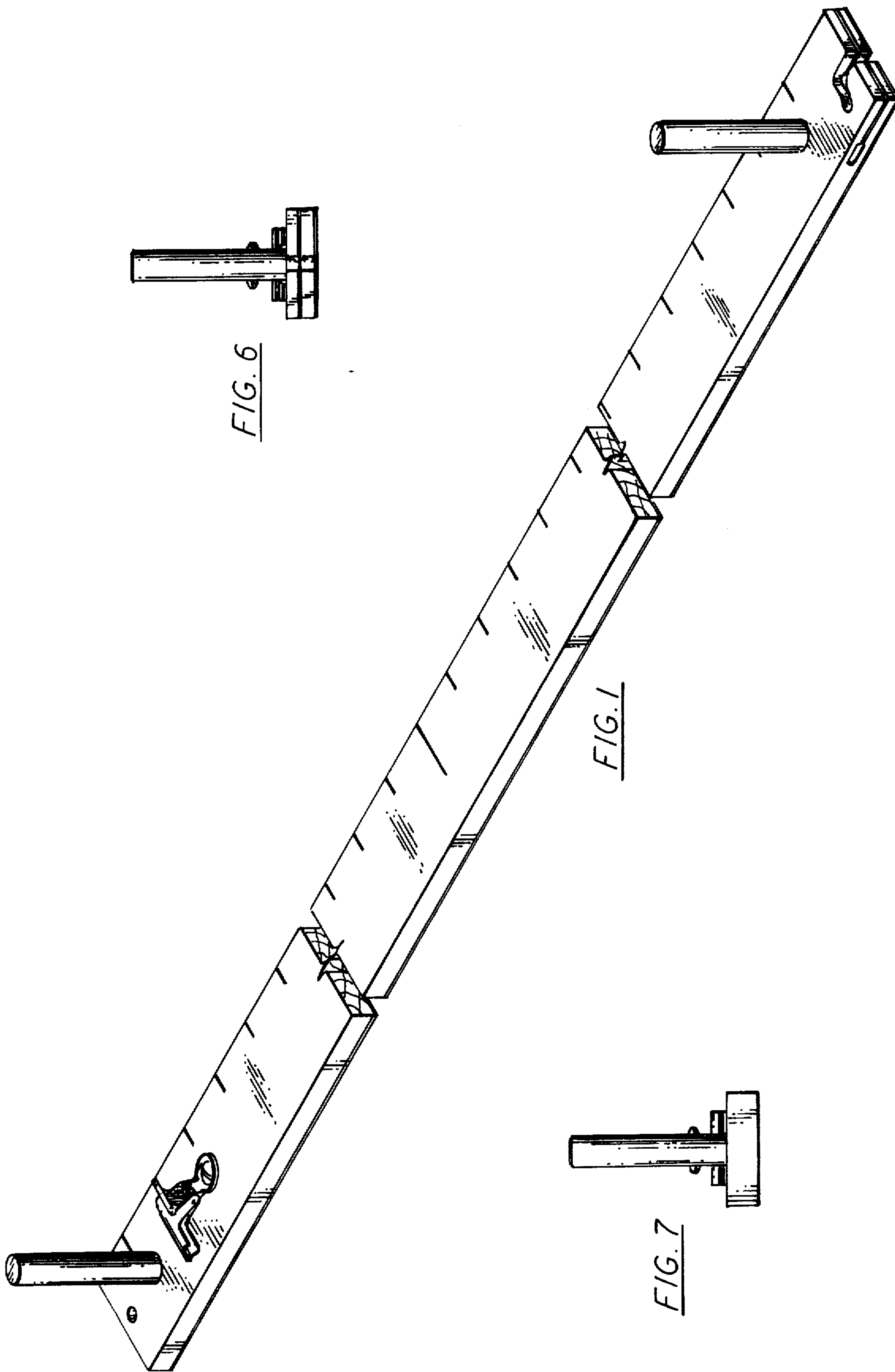
[57] CLAIM

The ornamental design for a macrame measure, as shown and described.

DESCRIPTION

- FIG. 1 is a top and right front perspective view of a macrame measure showing my new design;
- FIG. 2 is a top plan view thereof;
- FIG. 3 is a bottom plan view thereof;
- FIG. 4 is a front elevational view thereof;
- FIG. 5 is a rear elevational view thereof;
- FIG. 6 is a right end elevational view thereof;
- FIG. 7 is a left end elevational view thereof.





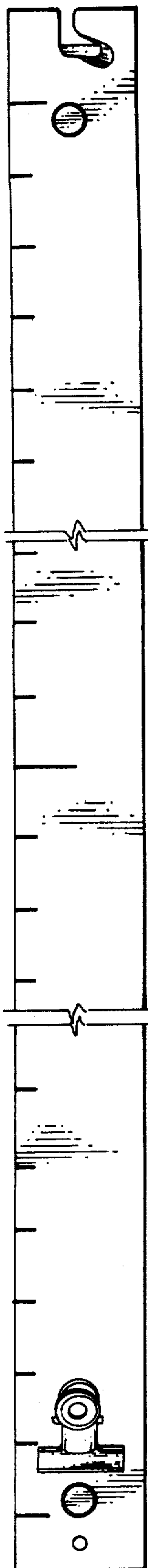


FIG. 2

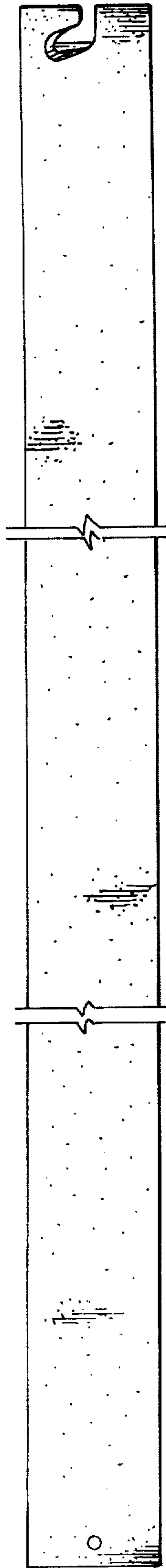


FIG. 3

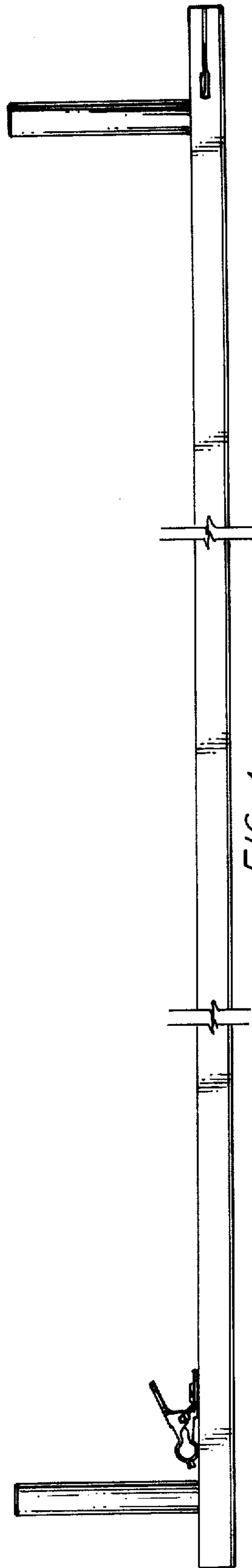


FIG. 4

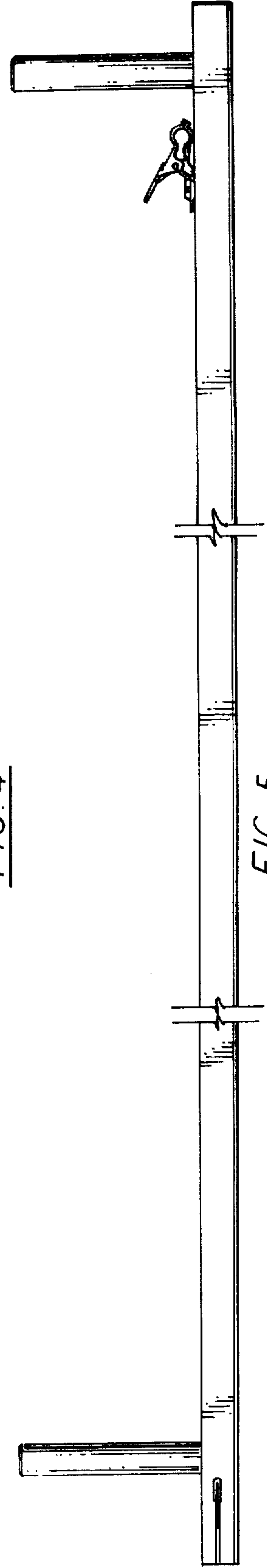


FIG. 5