

[54] DIGITAL WRISTWATCH

[75] Inventor: Masaharu Tanaka, Suwa, Japan

[73] Assignee: Kabushiki Kaisha Suwa Seikosha, Tokyo, Japan

[**] Term: 14 Years

[21] Appl. No.: 255,420

[22] Filed: Apr. 20, 1981

[30] Foreign Application Priority Data

Oct. 27, 1980 [JP] Japan 55-44816

[51] Int. Cl. D10-02

[52] U.S. Cl. D10/38

[58] Field of Search D10/15, 30-32, D10/38-40, 122-126; 368/239-242, 281-282, 276, 285

[56] References Cited

U.S. PATENT DOCUMENTS

D. 65,063	6/1982	Iida	D10/38
D. 114,788	5/1939	Freedman	D10/33
D. 259,107	5/1981	Fukumura	D10/38
D. 263,687	4/1982	Fukumura	D10/39

FIG. 6 is a front elevational view thereof in an operative condition showing a typical display in the dual time mode.

OTHER PUBLICATIONS

National Jeweler-6/73-p. 46-Pair of Watches at top center.

Primary Examiner—Nelson C. Holtje
Attorney, Agent, or Firm—Blum, Kaplan, Friedman, Silberman & Beran

[57] CLAIM

The ornamental design for a digital wristwatch, as shown and described.

DESCRIPTION

FIG. 1 is a front elevational view of a digital wristwatch showing my new design in an inactive mode; FIG. 2 is a left side elevational view thereof, the right side being a mirror image thereto; FIG. 3 is a top plan view thereof; FIG. 4 is a rear elevational view thereof; FIG. 5 is a bottom plan view thereof; and

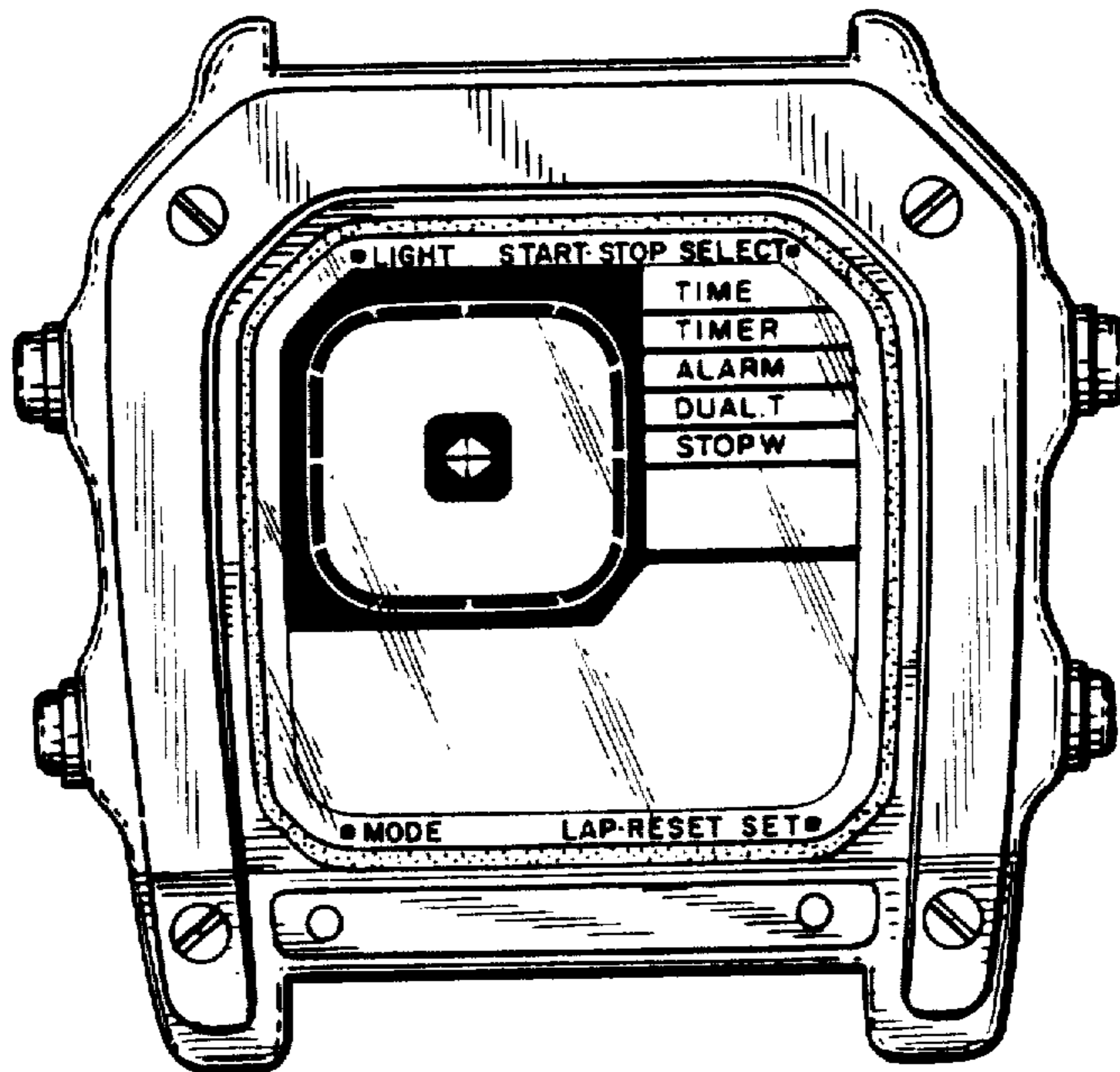


FIG. 1

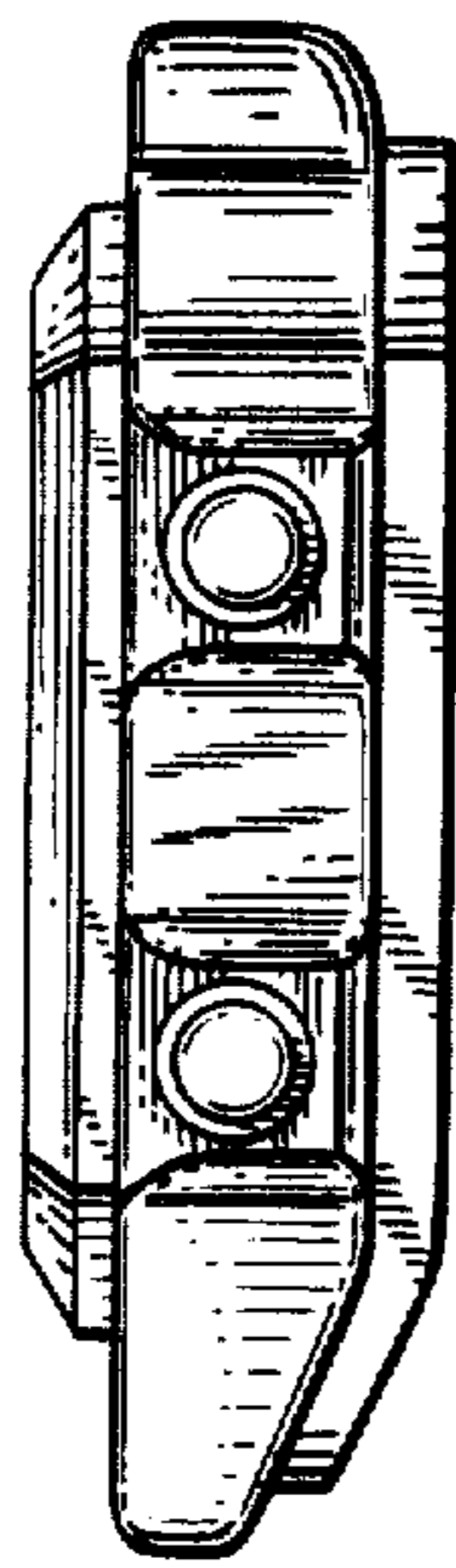
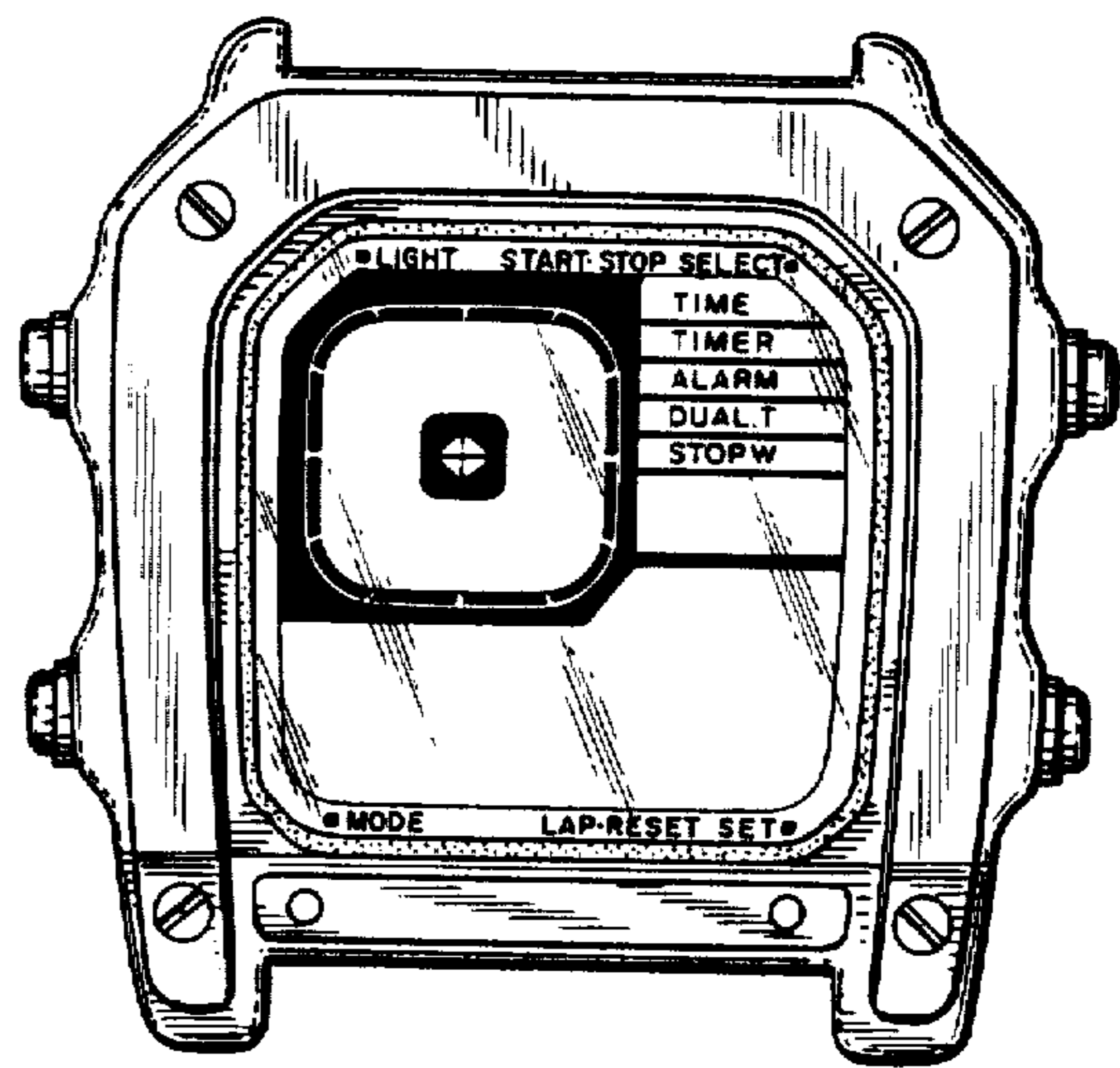


FIG. 2

FIG. 3

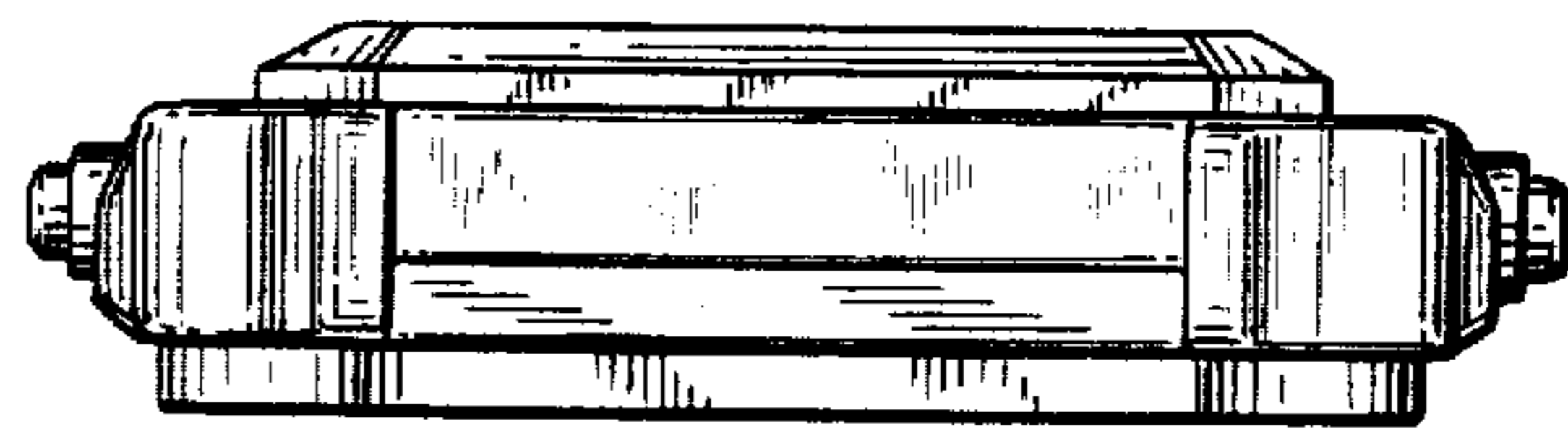


FIG. 4

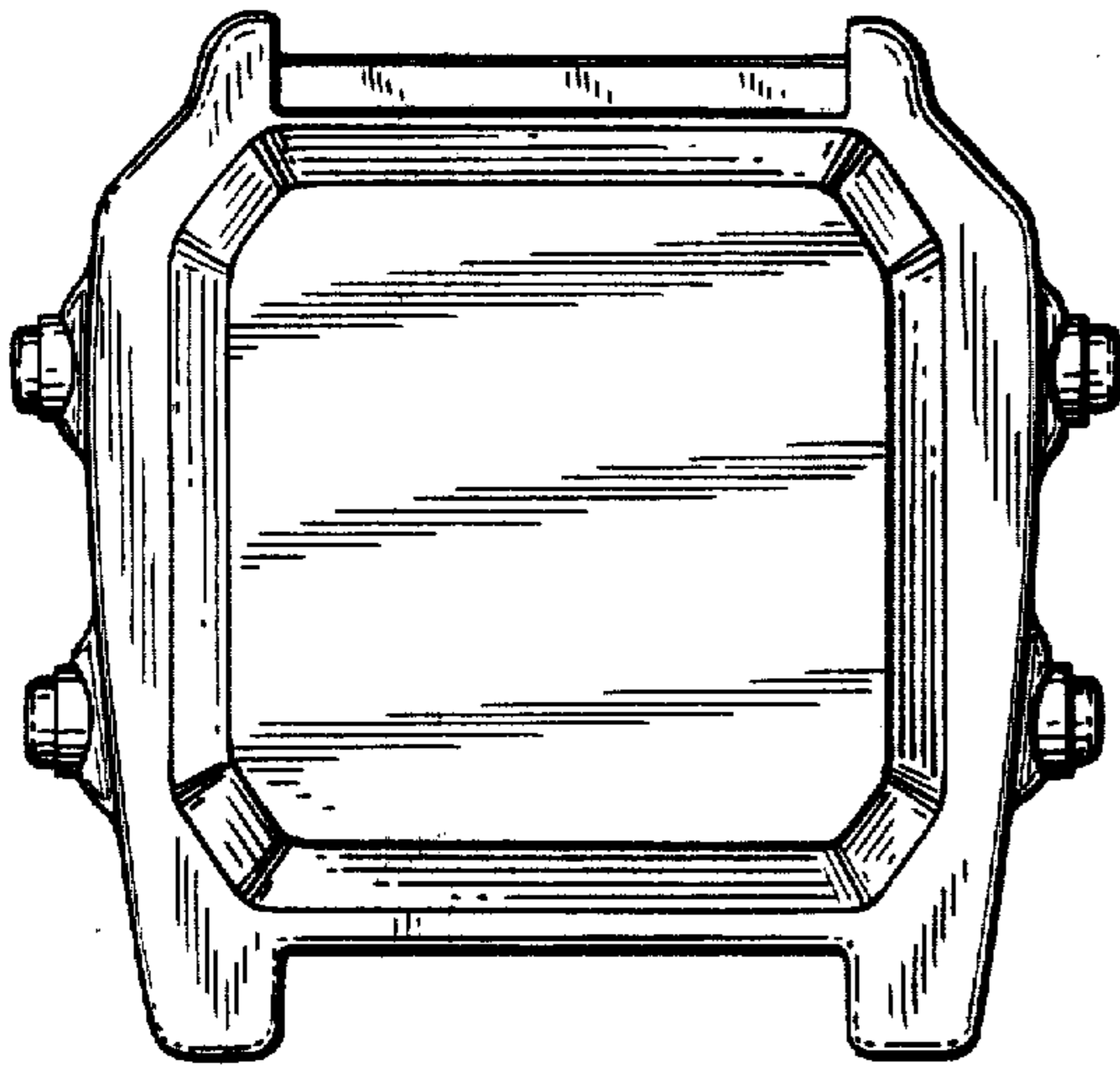


FIG. 6

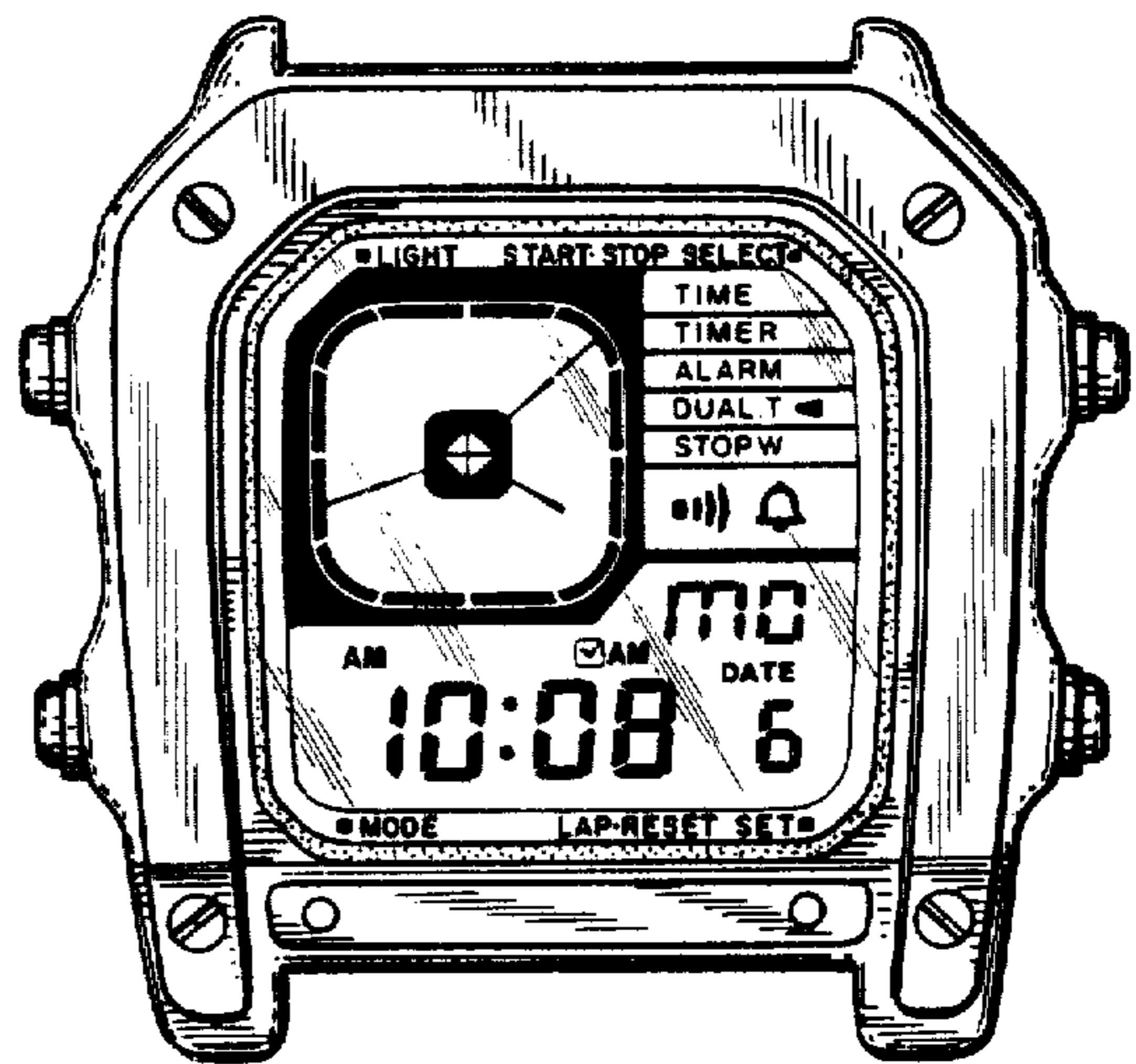


FIG. 5

