

[54] SUPPORT FOR SPOOLS OF ELECTRICAL WIRES OR THE LIKE

[76] Inventor: Jack C. Beall, 9440 S. Central Expressway, Dallas, Tex. 75216

[\*\*] Term: 14 Years

[21] Appl. No.: 232,885

[22] Filed: Feb. 9, 1981

[51] Int. Cl. .... D06-06

[52] U.S. Cl. .... D6/85

[58] Field of Search ..... D6/85, 181, 157; D3/25; 211/57.1, 59.1, 13; 248/49, 127, 176

[56] References Cited

U.S. PATENT DOCUMENTS

1,565,464 12/1927 Kay ..... 211/13

OTHER PUBLICATIONS

*Display World*, Mar. 1973, p. 67, All Chrome Display Rack, bottom right of page.

*Visual Merchandising*, Apr. 1980, p. 50, "Acrylic" and Chrome Fashion Fixtures, bottom left of page.

*Visual Merchandising*, Sep. 1980, backcover page, "Kason" Fixture Ware on page.

Primary Examiner—Joel Stearman

Assistant Examiner—Carmen H. Vales

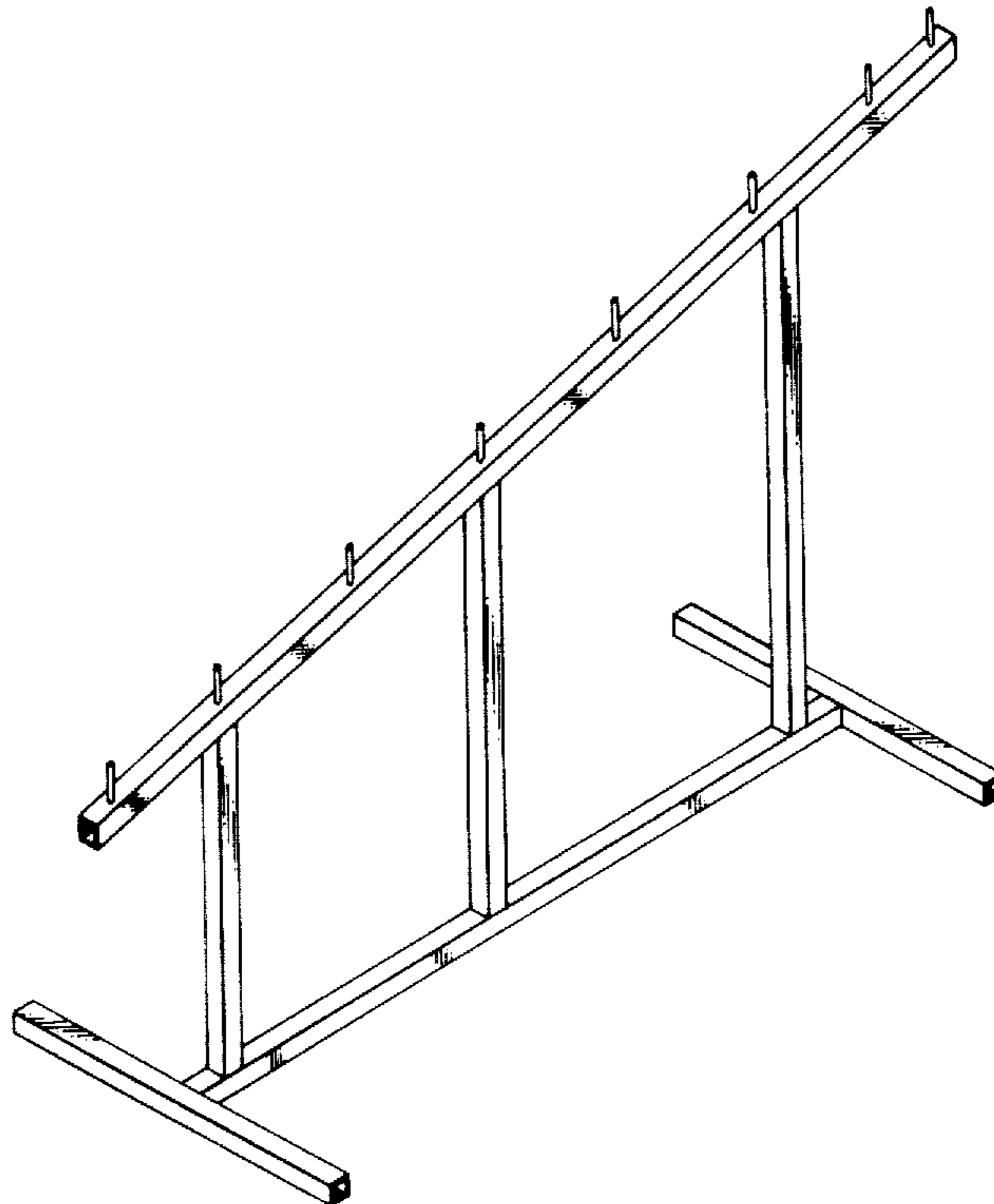
Attorney, Agent, or Firm—Kanz & Timmons

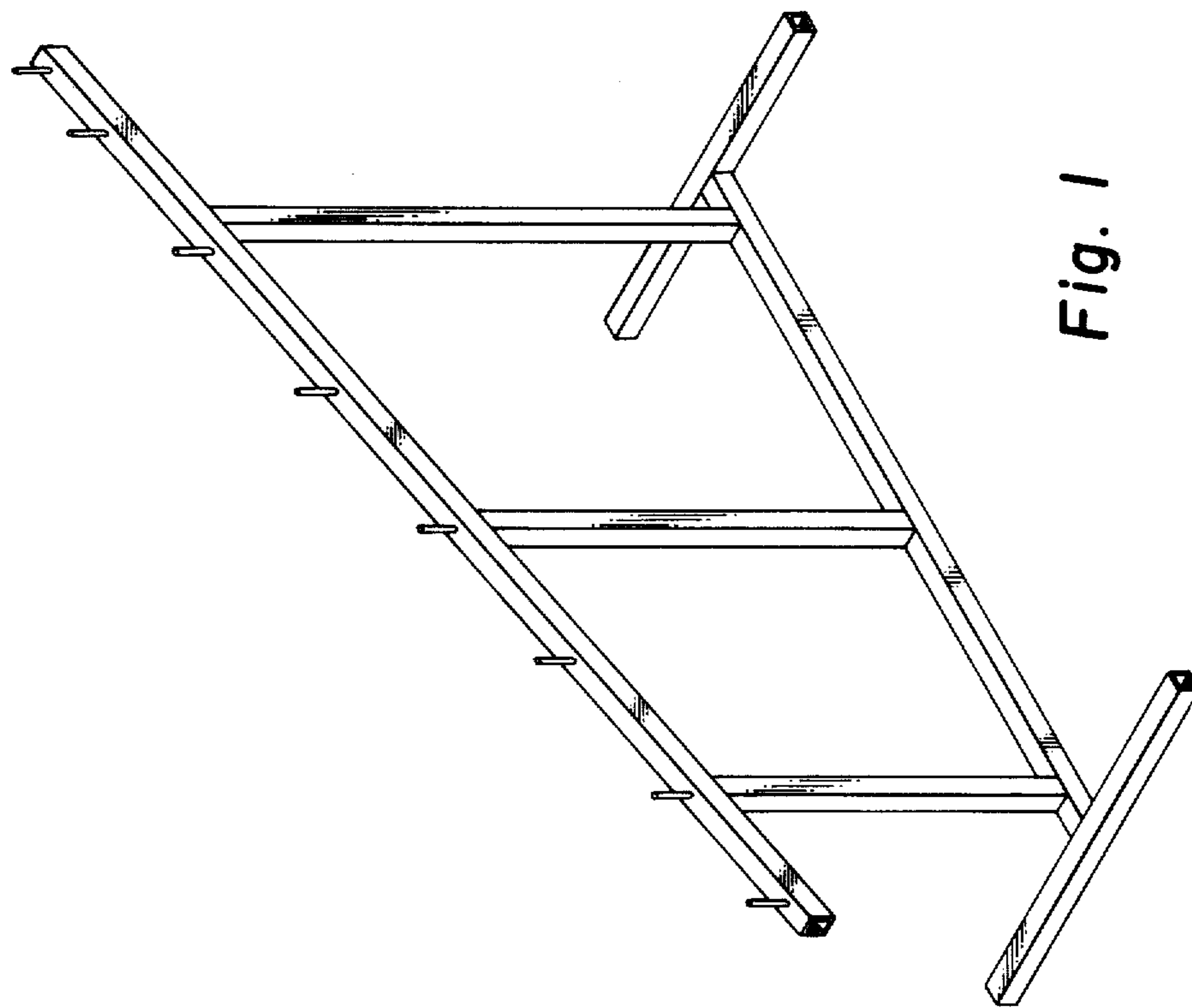
[57] CLAIM

The ornamental design for a support for spools of electrical wires or the like, substantially as shown.

DESCRIPTION

FIG. 1 is a perspective view of a support for spools of electrical wires or the like showing my new design; FIG. 2 is a side elevational view thereof; FIG. 3 is a rear elevational view thereof; and FIG. 4 is a bottom plan view thereof.





*Fig. 1*

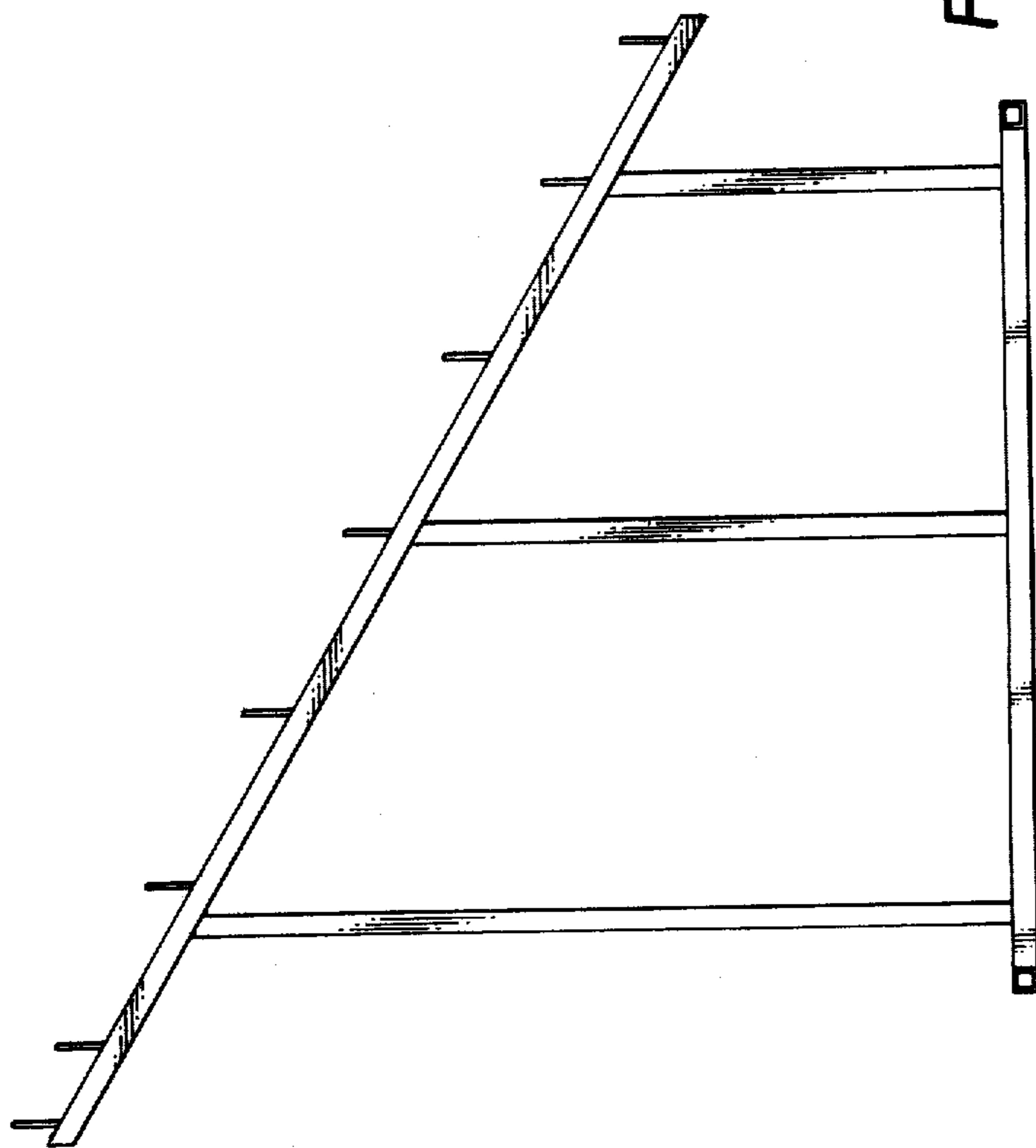


Fig. 2

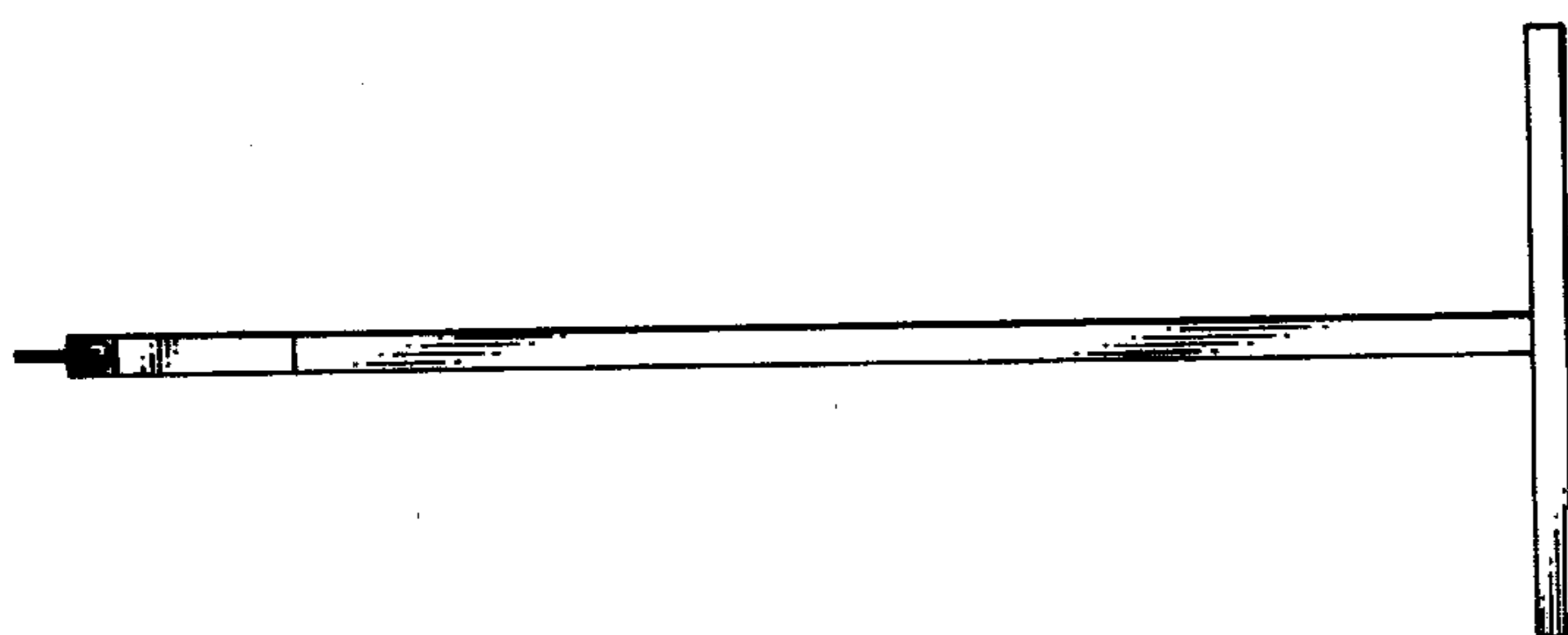


Fig. 3

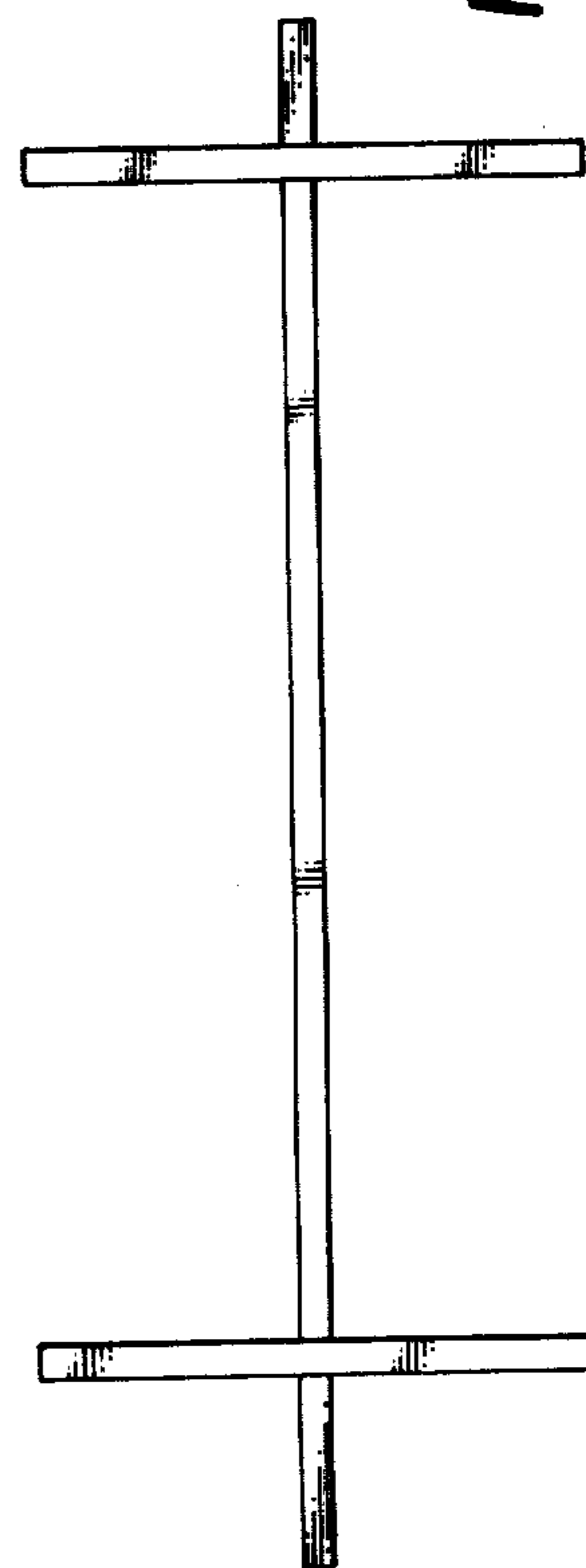


Fig. 4