

[54] COMBINED DISPENSER AND BRUSH ATTACHMENT FOR A SHAVING CREAM CONTAINER OR THE LIKE

2,756,908 7/1956 Miller ..... D4/19 X  
2,932,840 4/1960 Lathrop ..... D9/338 X  
3,164,856 1/1965 Samaras et al. .... D4/19 X  
3,299,465 1/1967 Dykes, Jr. .... D9/434 X

[76] Inventor: Edward P. Souza, 255 Union Ave., Campbell, Calif. 95008

Primary Examiner—Robert C. Spangler  
Attorney, Agent, or Firm—Jack M. Wiseman; Francis W. Anderson

[\*\*] Term: 14 Years

[21] Appl. No.: 247,837

[22] Filed: Mar. 26, 1981

[51] Int. Cl. .... D4-02

[52] U.S. Cl. .... D4/19; D9/434

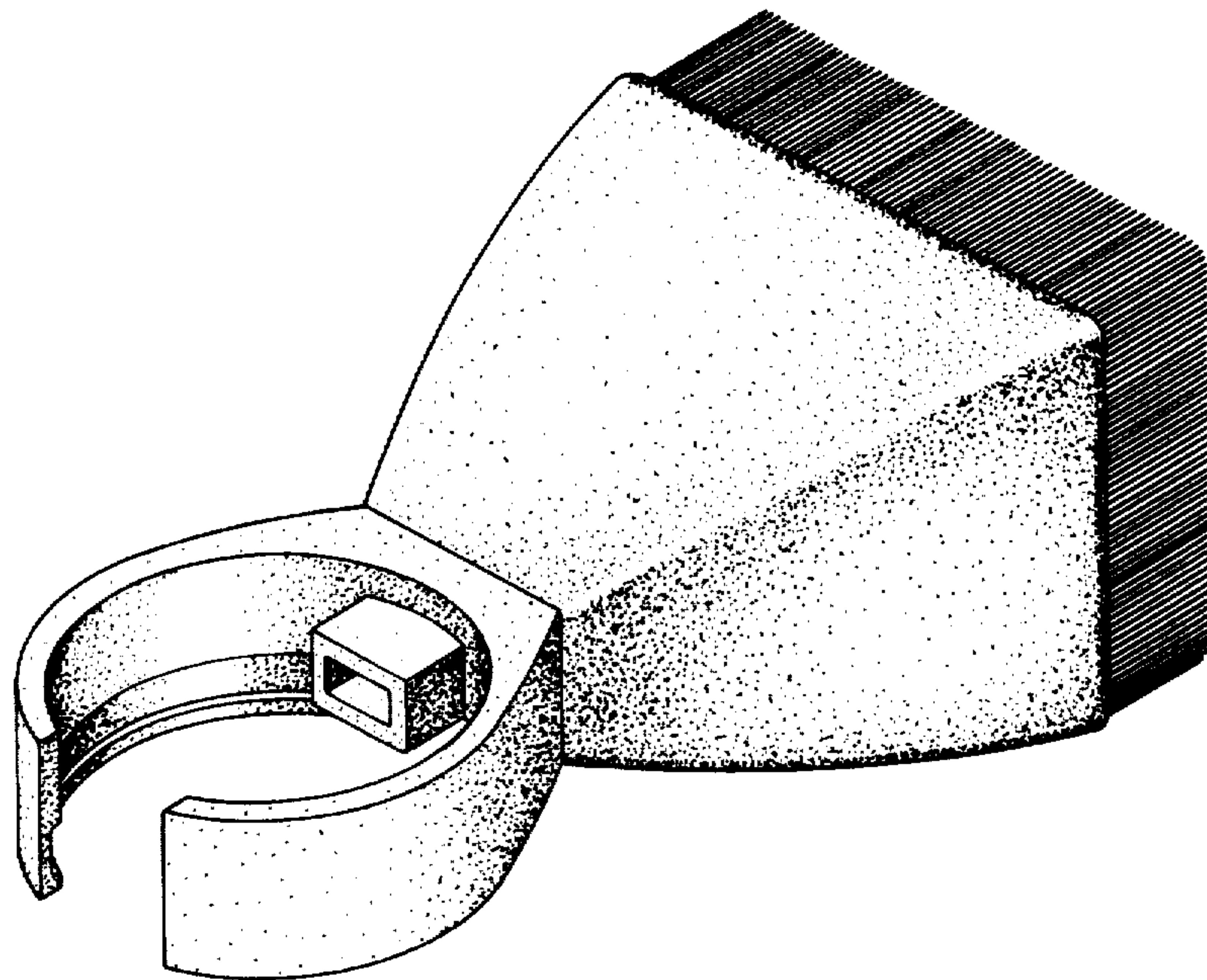
[58] Field of Search ..... D4/19, 13, 14, 30; D9/434, 443, 447-450, 499, 300, 338; 222/498, 499, 566, 573; 15/159 R, 160, 159 A

[57] CLAIM

The ornamental design for a combined dispenser and brush attachment for a shaving cream container or the like, substantially as shown.

DESCRIPTION

FIG. 1 is a top perspective view of a combined dispenser and brush attachment for a shaving cream container or the like showing my new design; FIG. 2 is a bottom perspective view; FIG. 3 is a top plan view; FIG. 4 is a side elevational view; FIG. 5 is an end elevational view; and FIG. 6 is a bottom plan view.



[56] References Cited

U.S. PATENT DOCUMENTS

D. 239,599 4/1976 Carroll et al. .... D9/434  
D. 251,159 2/1979 Tolliver ..... D4/19  
D. 266,538 10/1982 Kahn ..... D9/338 X

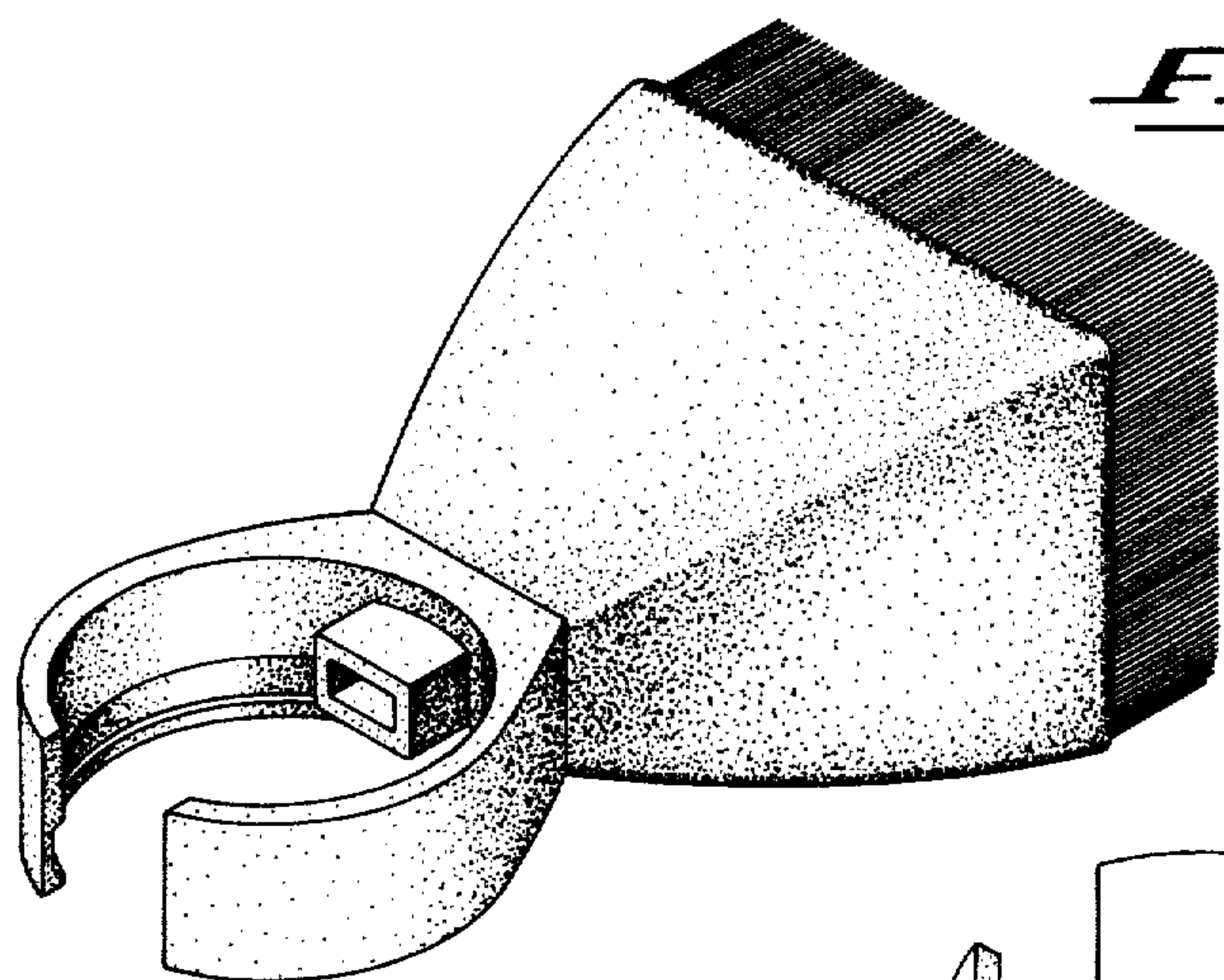


Fig-1

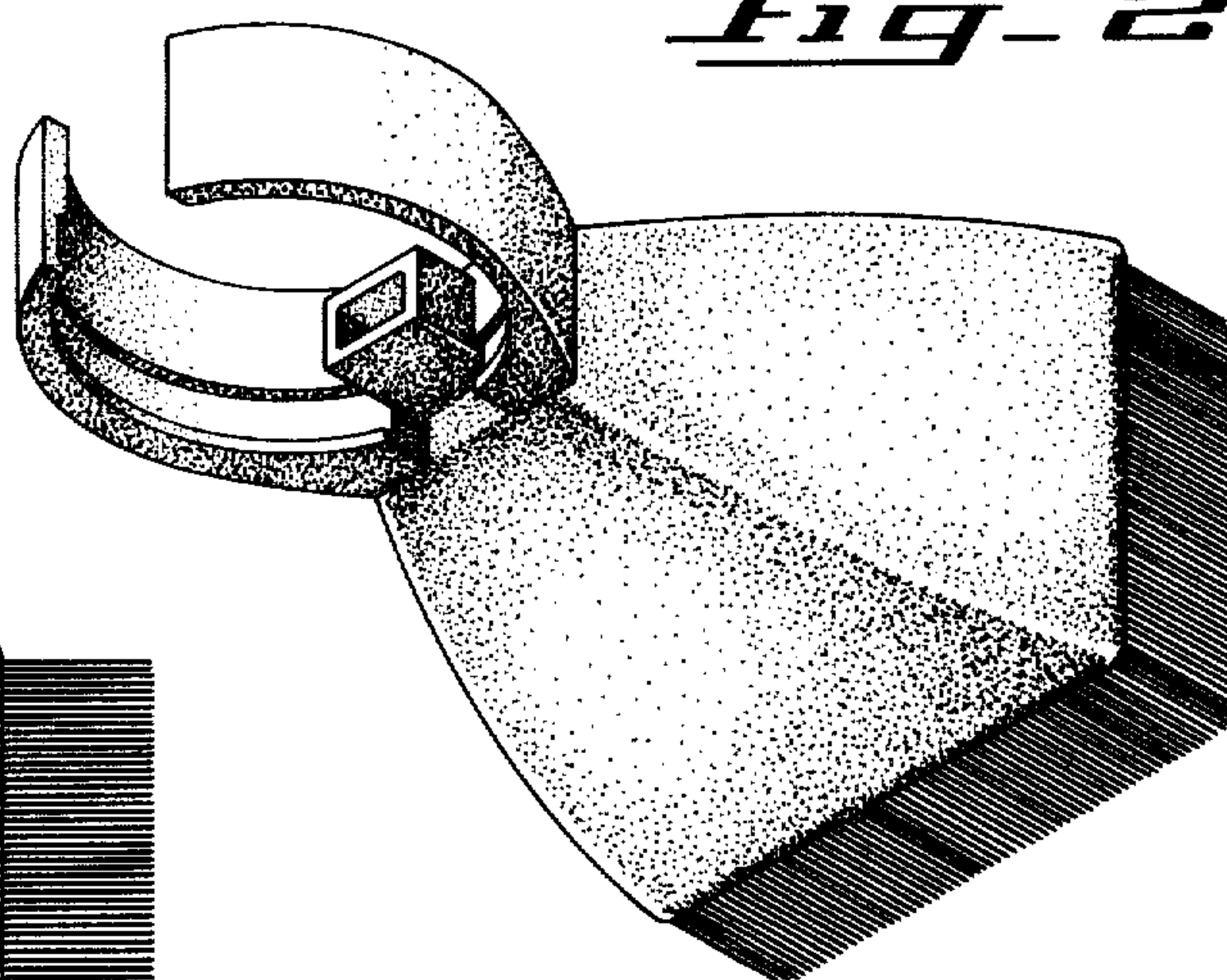


Fig-2

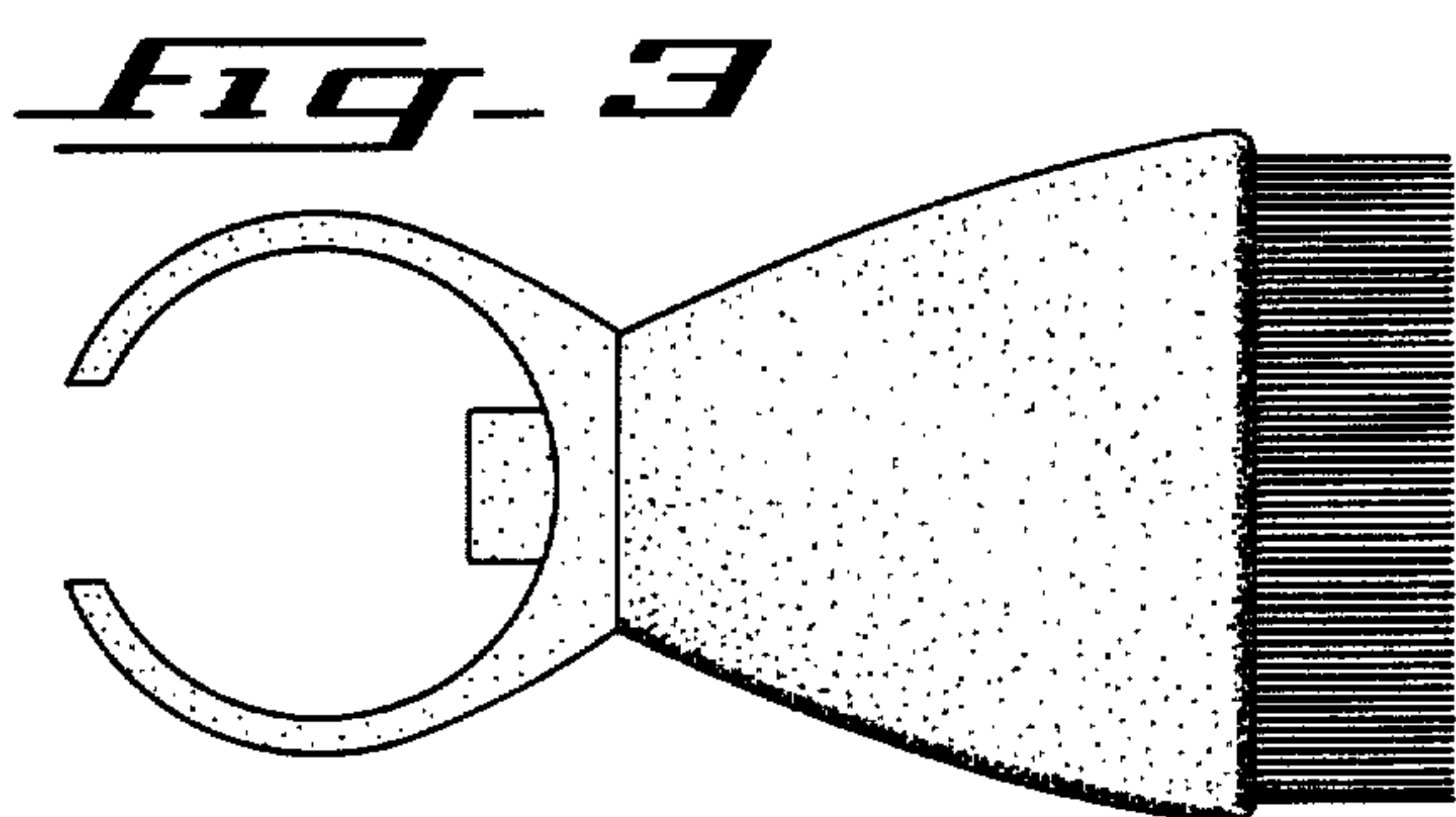


Fig-3

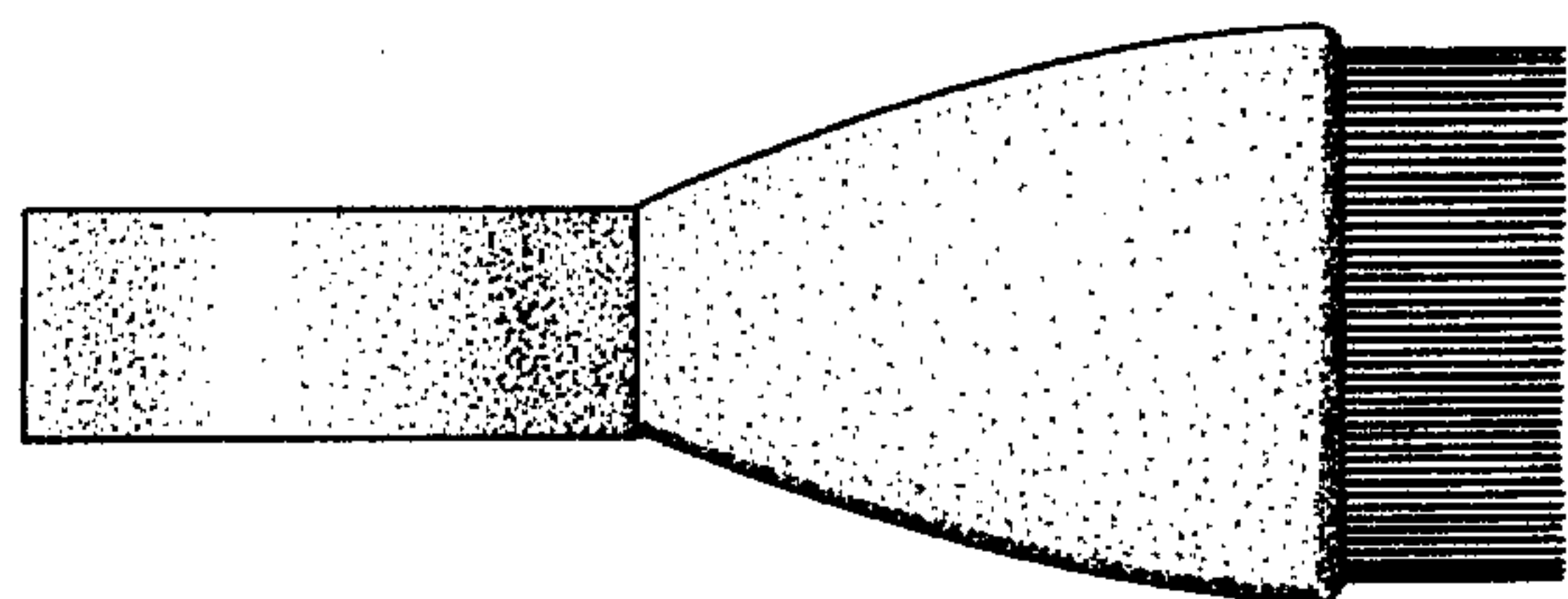


Fig-4

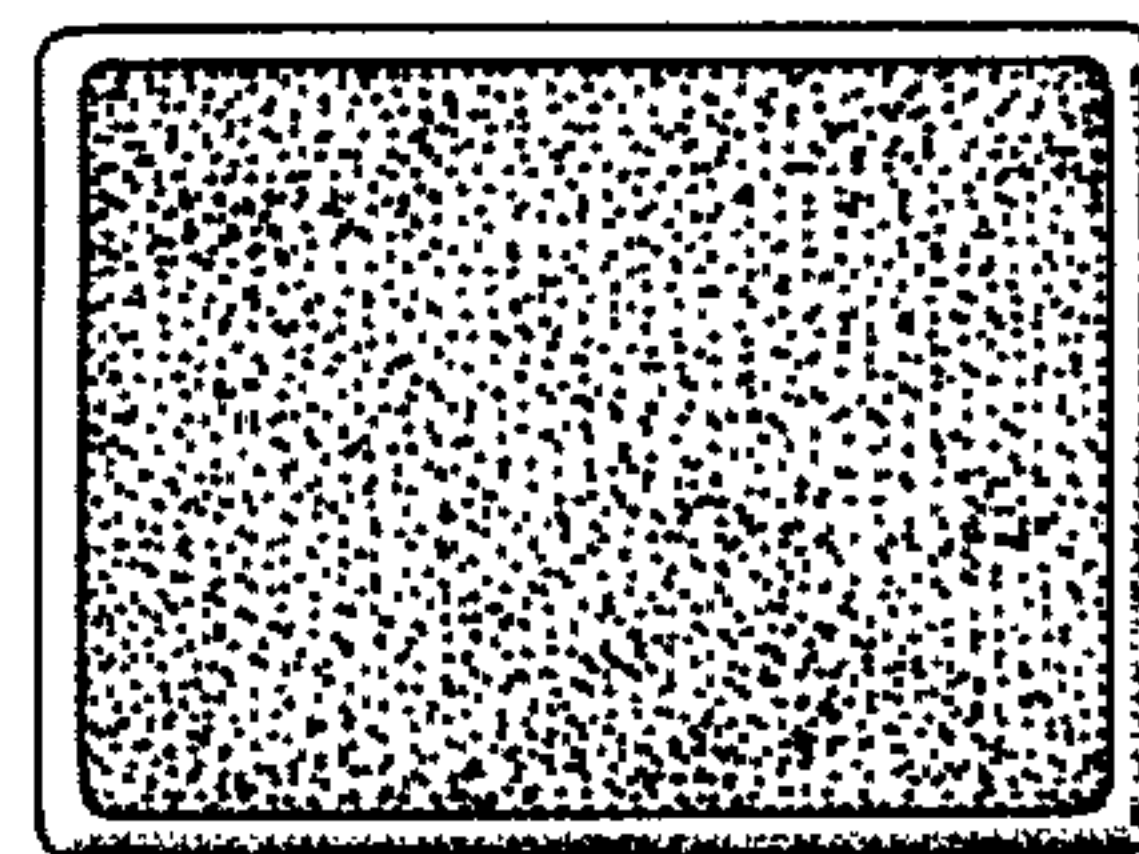


Fig-5

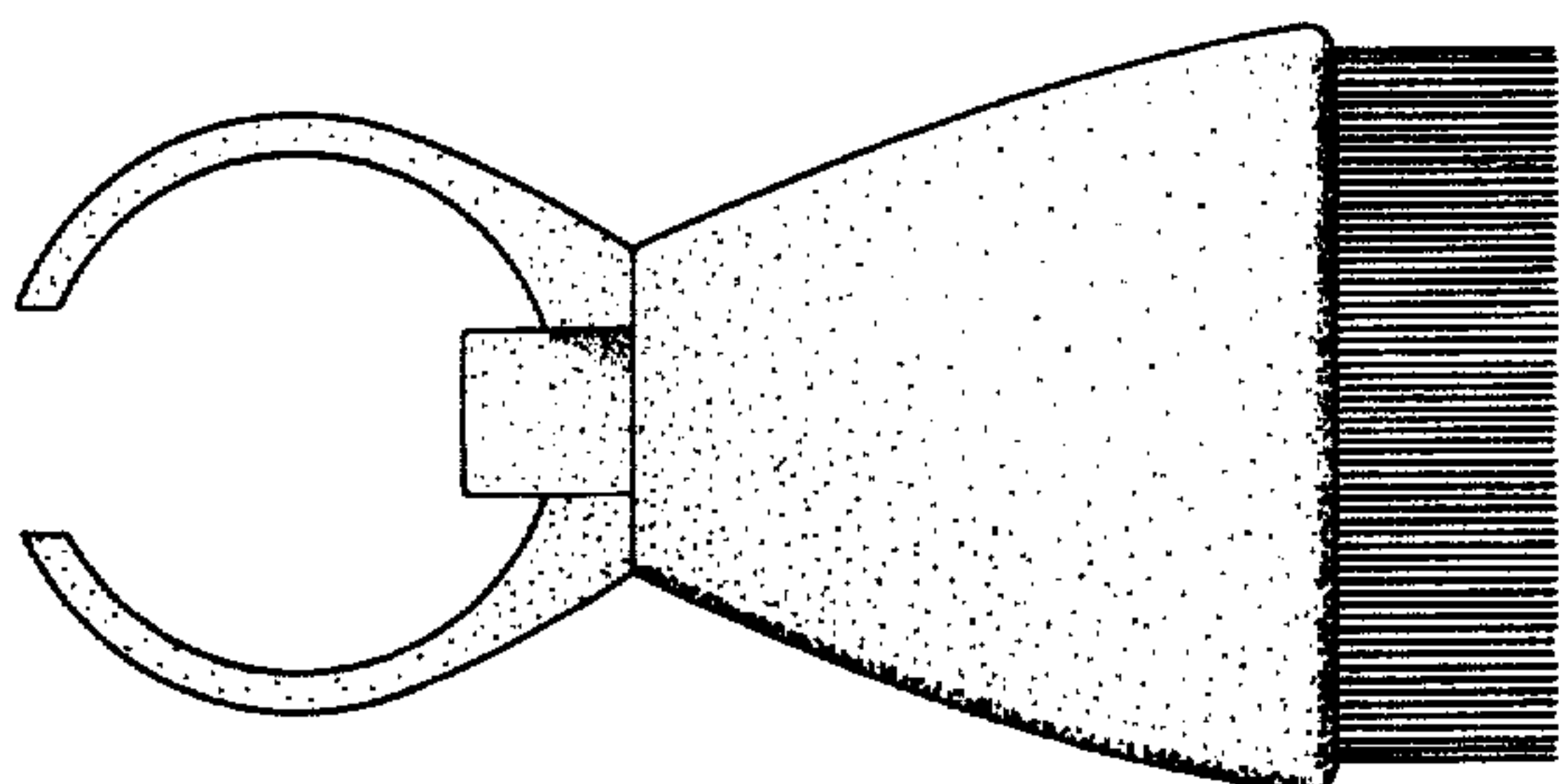


Fig-6