

[54] COMBINED CARRYING AND STORAGE CASE AND CONTROL DISPLAY STAND FOR ELECTRONIC MUSICAL INSTRUMENT COMPONENTS

[75] Inventors: Richard H. Peterson, 11748 Walnut Ridge Dr., Palos Park, Ill. 60464; Patrick J. Bovenizer, Alsip, Ill.; Richard W. Jensen, Elmhurst, Ill.; William H. Hass, Hickory Hills, Ill.

[73] Assignee: Richard H. Peterson, Palos Park, Ill.

[**] Term: 14 Years

[21] Appl. No.: 271,760

[22] Filed: Jun. 9, 1981

[51] Int. Cl. D3-01
[52] U.S. Cl. D3/76; D3/70; D14/96

[58] Field of Search D3/30.1, 70, 72, 76; D14/33, 96; D17/2; 206/14, 314; 190/11; 84/1.01, 116, 327, 329, DIG. 3, DIG. 17

[56] References Cited

U.S. PATENT DOCUMENTS

- D. 209,288 11/1967 Spranger D14/96
D. 213,967 4/1969 Hardy D14/96
D. 247,993 5/1978 Calzone D3/76

- 2,231,235 2/1941 Weir 84/1.01
3,298,473 1/1967 Soprani 190/11
3,326,337 6/1967 Bell 190/11

Primary Examiner—George P. Word
Attorney, Agent, or Firm—Jones, Tullar & Cooper

[57] CLAIM

The ornamental design for a combined carrying and storage case and control display stand for electronic musical instrument components, as shown and described.

DESCRIPTION

FIG. 1 is a top perspective view of a combined carrying and storage case and control display stand for electronic musical instrument components, showing our new design;

FIG. 2 is a top perspective view of the design of FIG. 1, showing the end closures in the open position;

FIG. 3 is a perspective view of the design of FIG. 1, with the control panel end open in a control display stand configuration;

FIG. 4 is an elevational view of one end of the design of FIG. 1, with the control panel separated therefrom;

FIG. 5 is a right end elevational view of FIG. 1;

FIG. 6 is a left end elevational view thereof;

FIG. 7 is a bottom plan view thereof;

FIG. 8 is a rear elevational view thereof; and

FIG. 9 is a front elevational view thereof.

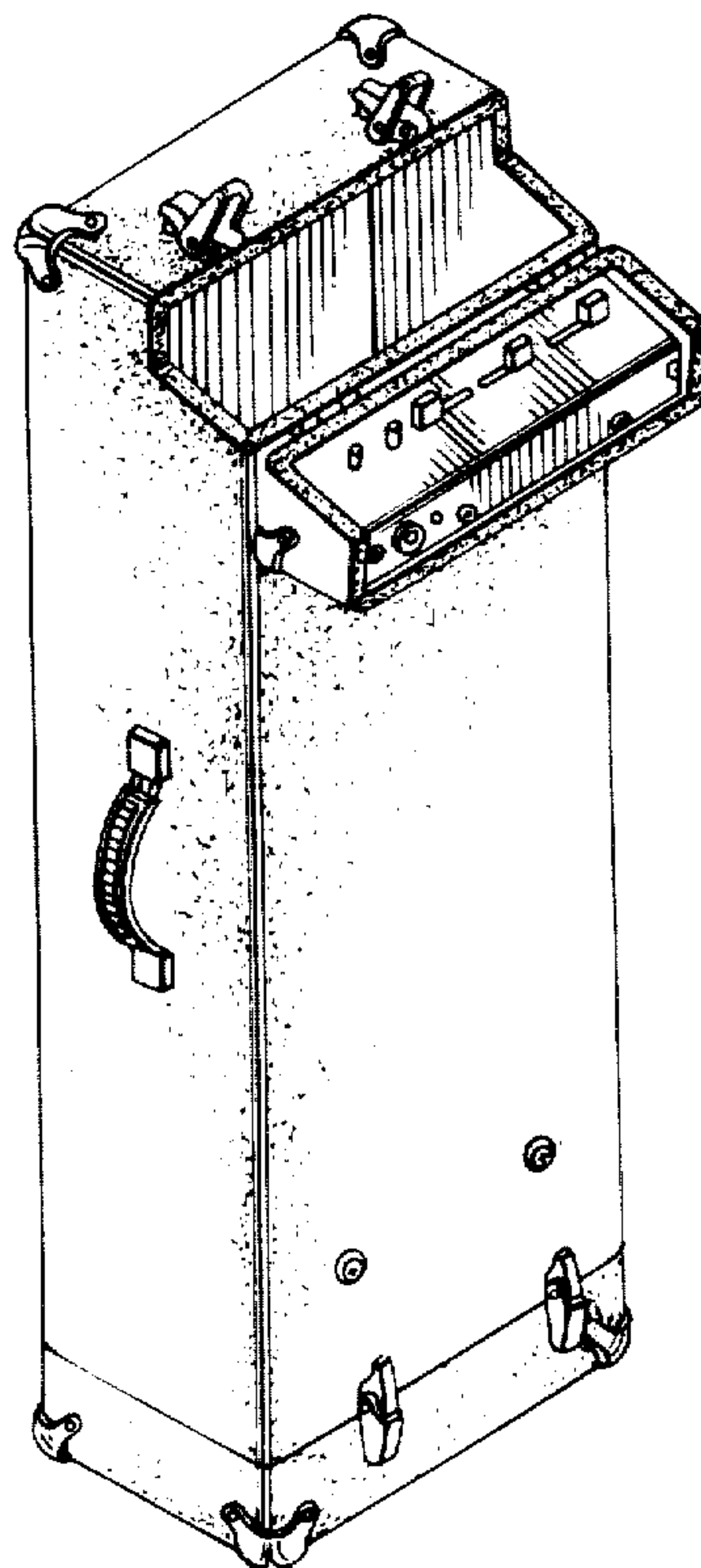


FIG. 1.

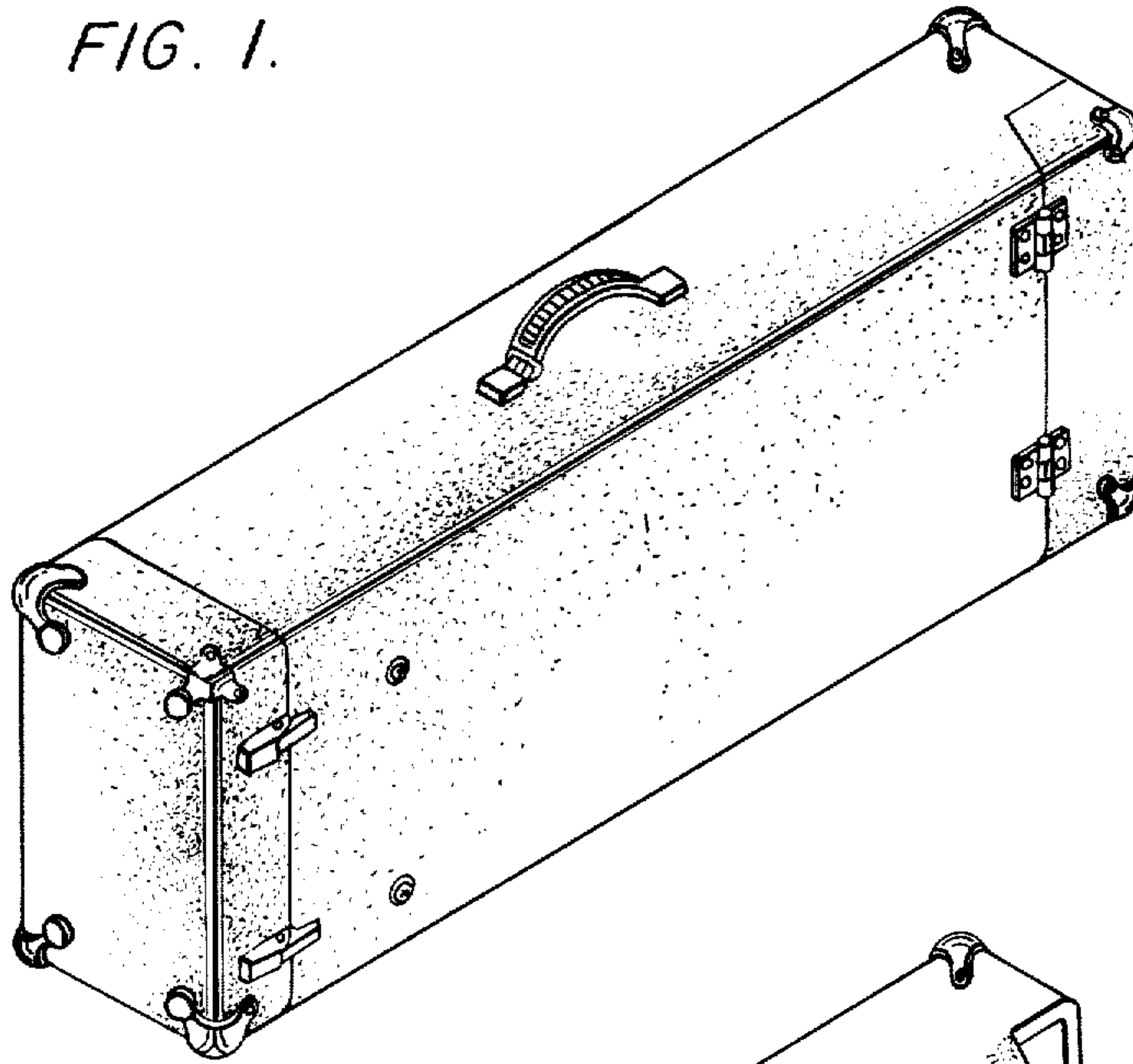


FIG. 2.

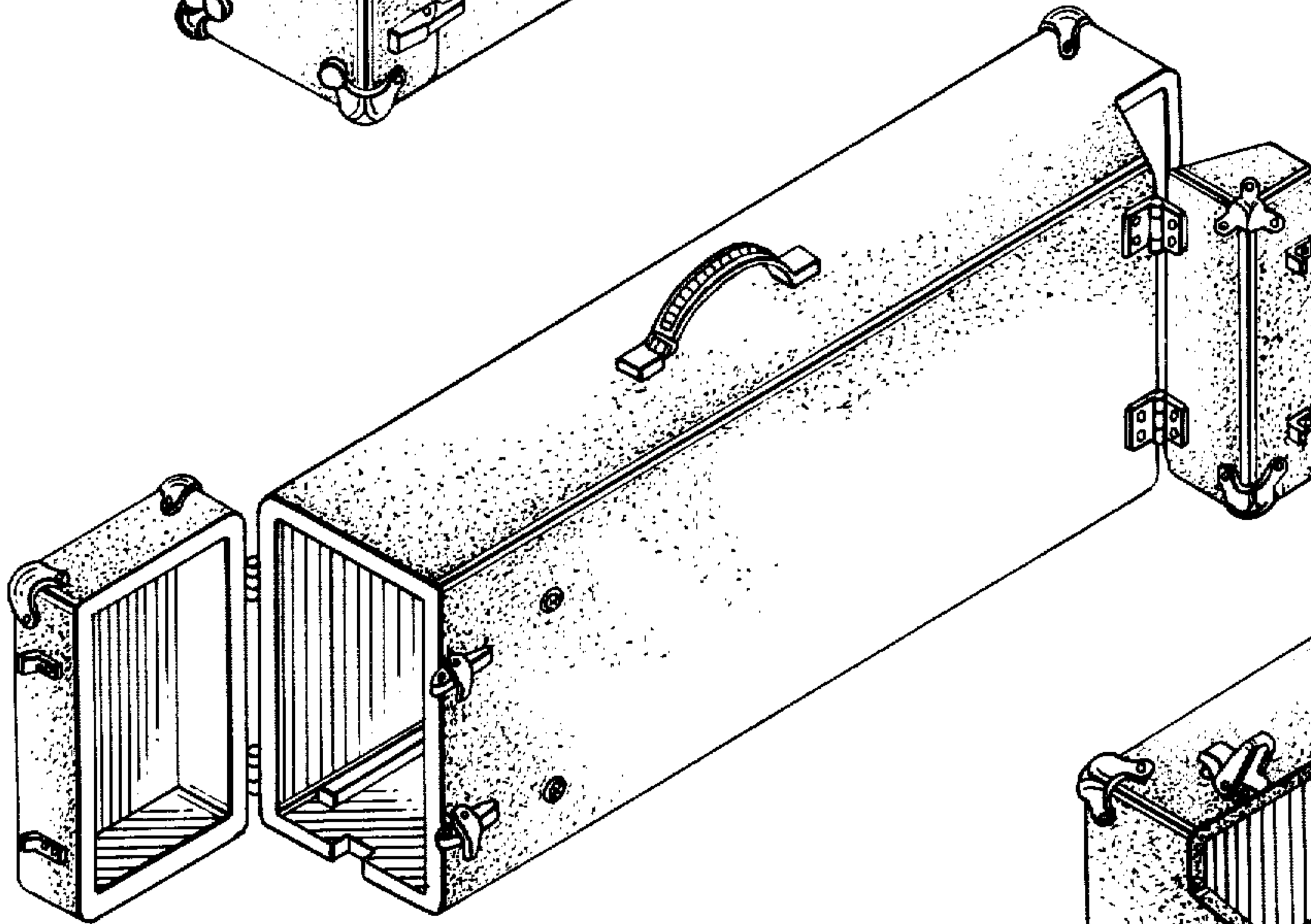


FIG. 3.

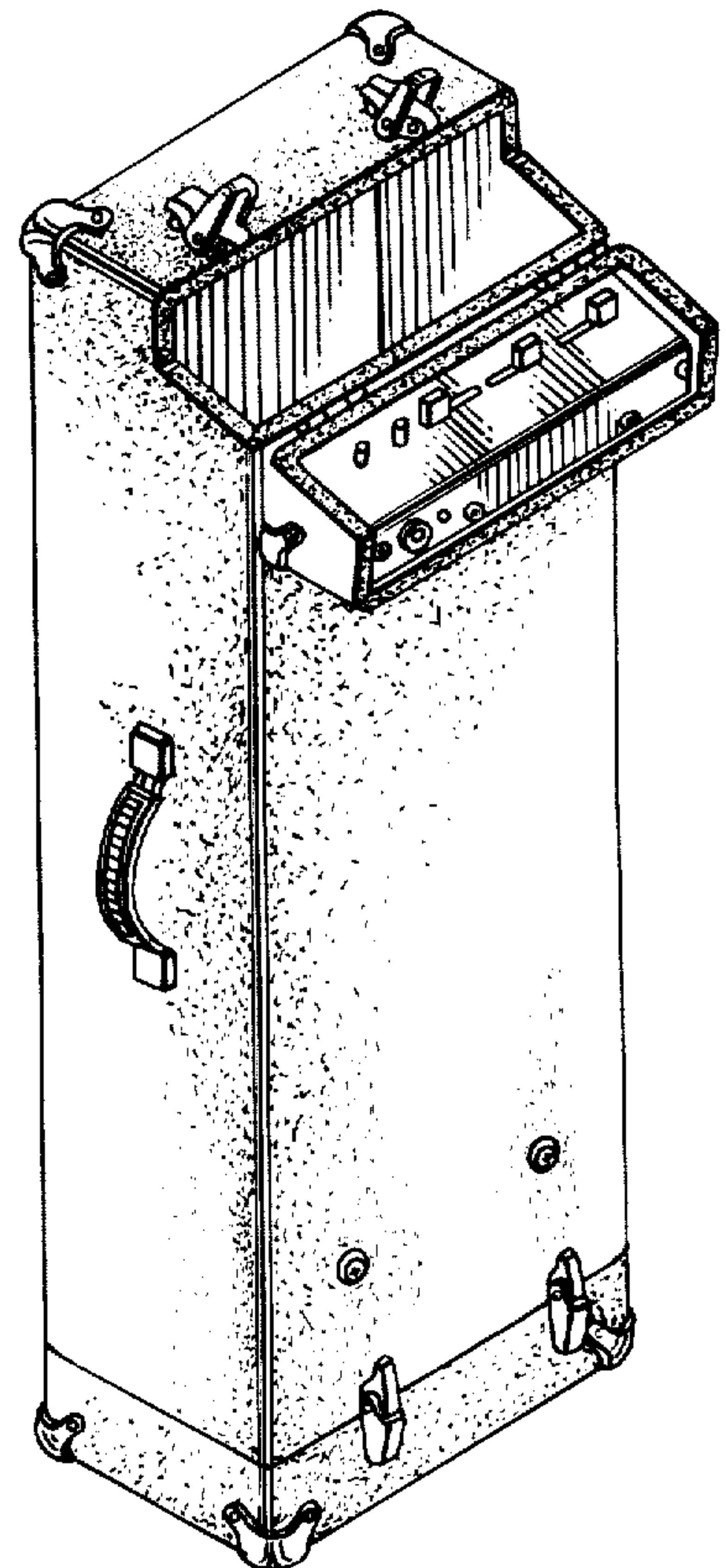


FIG. 4.

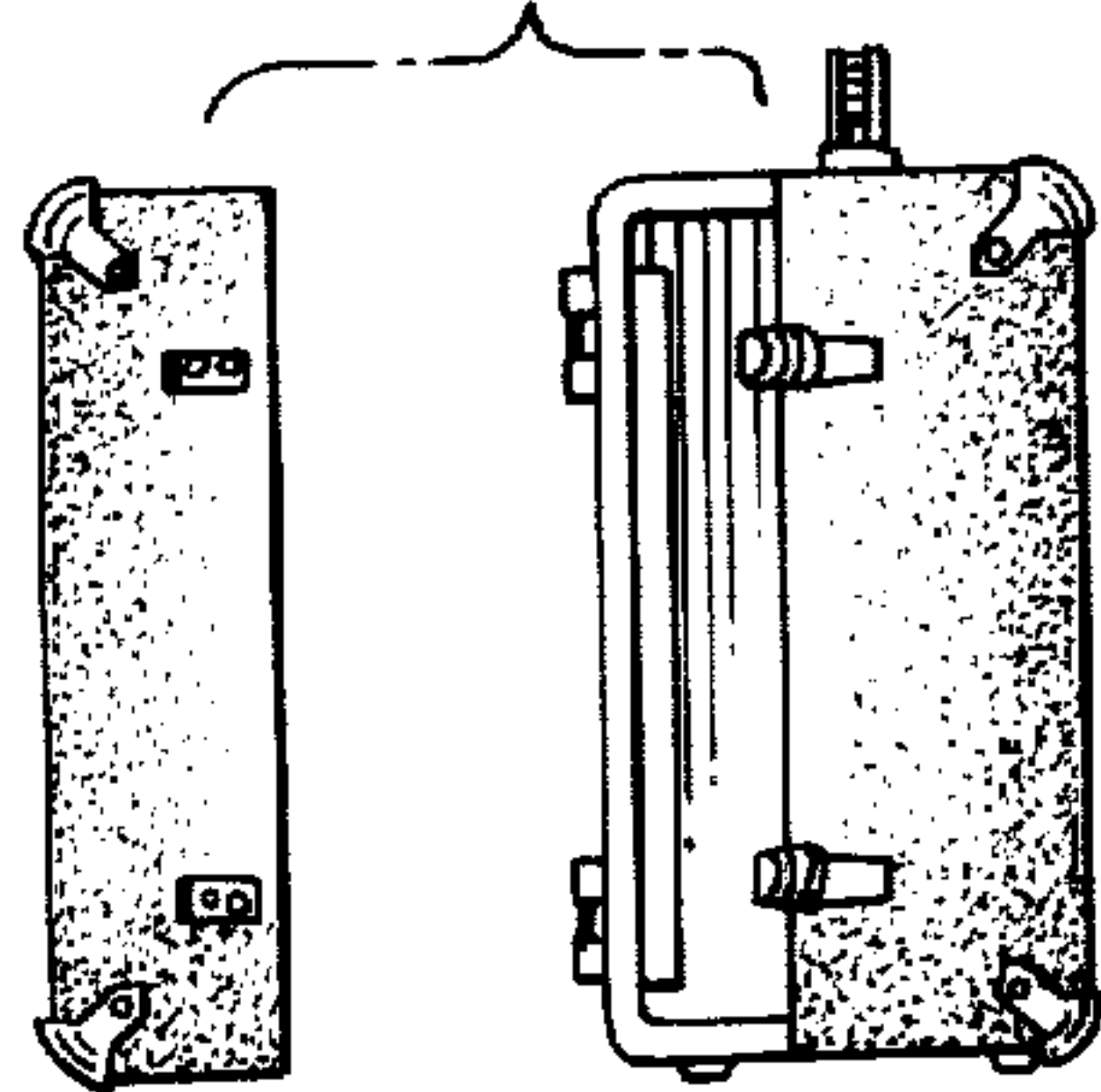


FIG. 5.

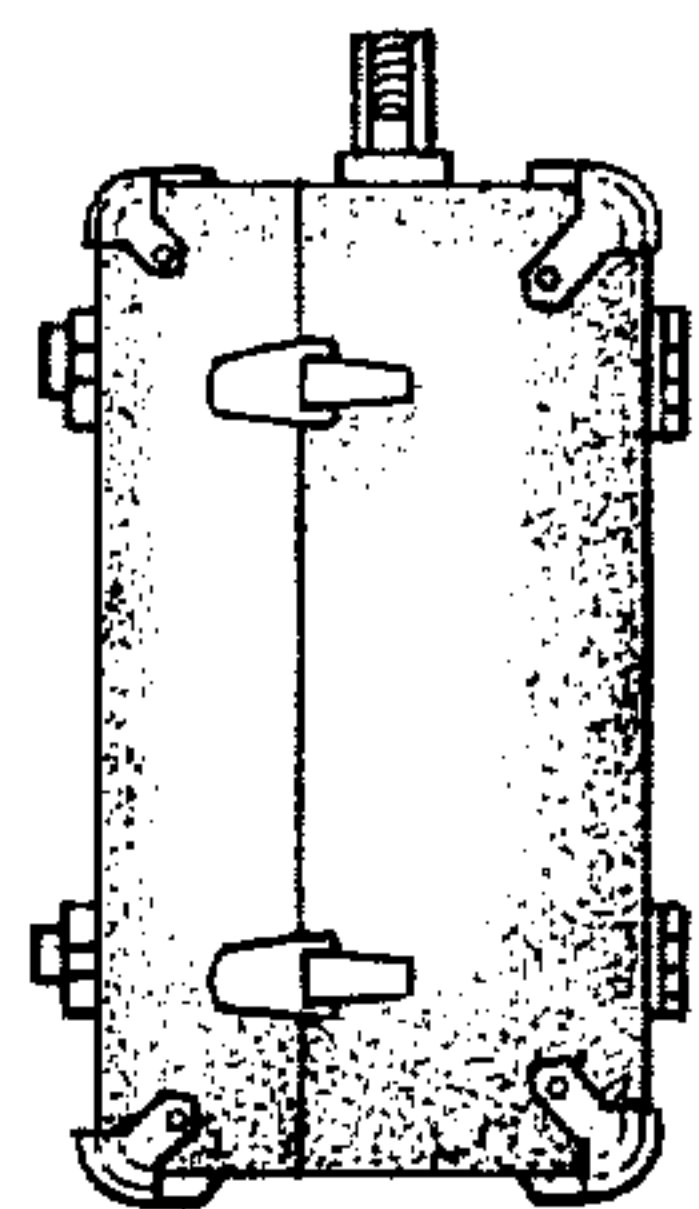


FIG. 6.

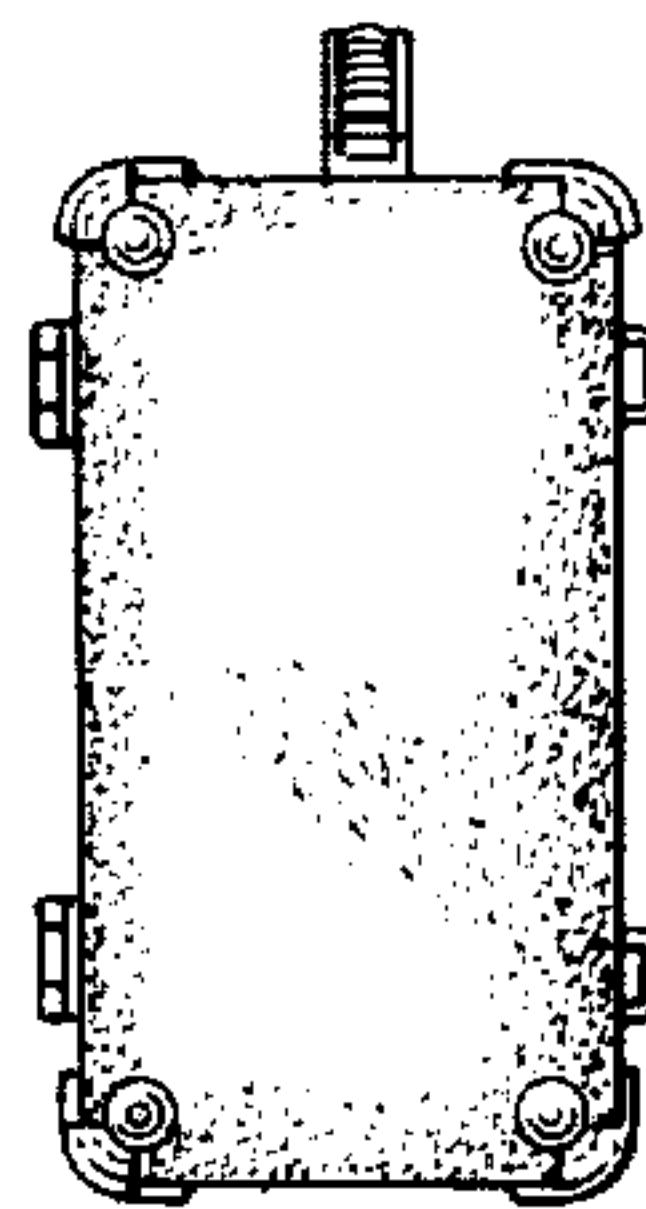


FIG. 7.

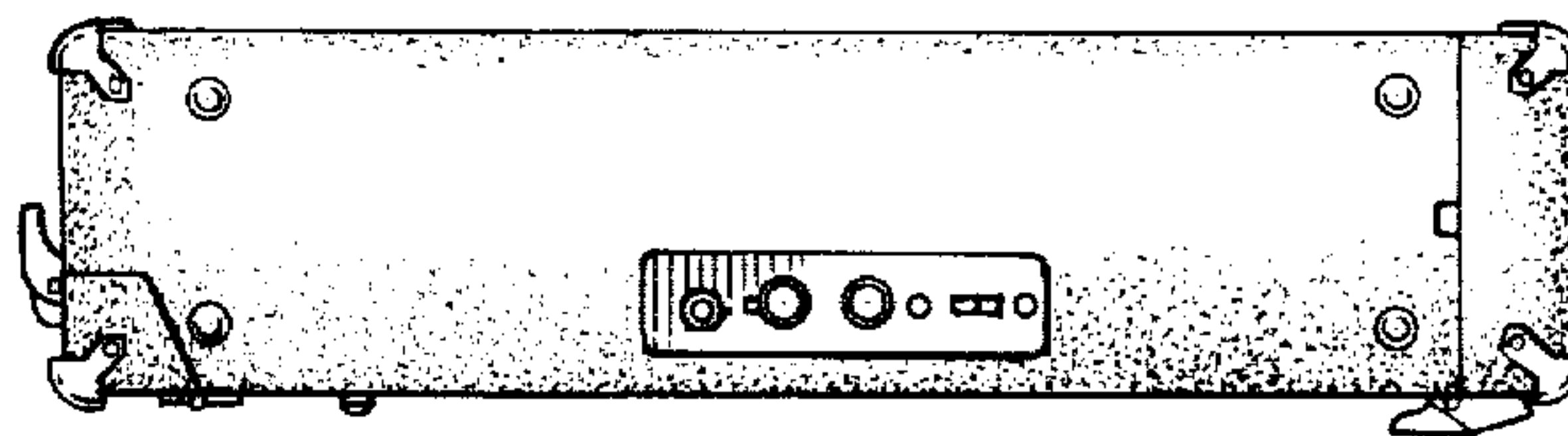


FIG. 8.

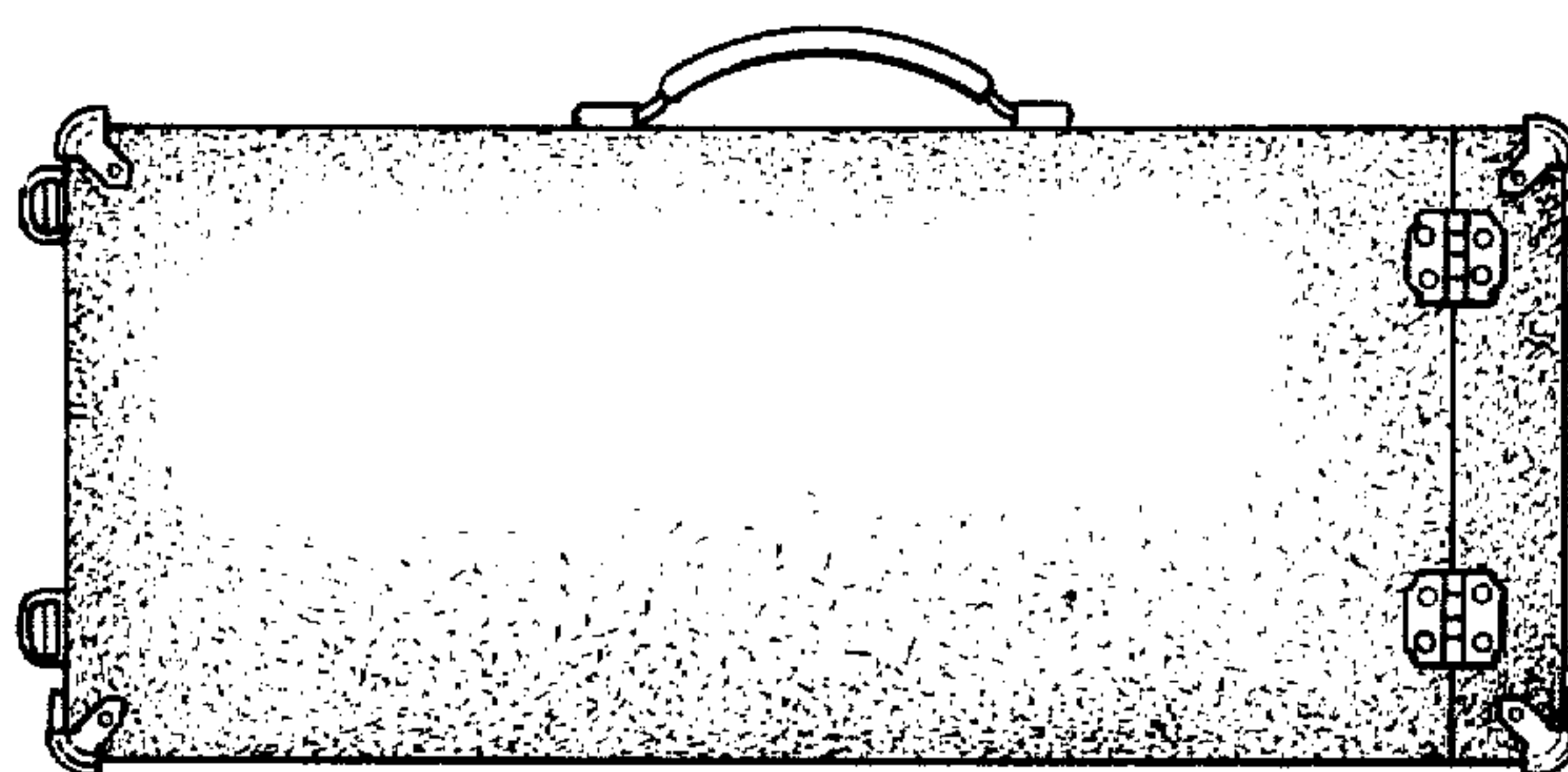


FIG. 9.

