

[54] GOLF CLUB BAG CARRIER FOR A
MOTORIZED GOLF CART

[76] Inventor: Michael J. Avis, 5212 W. 104th St.,
Overland Park, Kans. 66207

[**] Term: 14 Years

[21] Appl. No.: 193,732

[22] Filed: Oct. 3, 1980

[51] Int. Cl. D12-02

[52] U.S. Cl. D34/15; D12/157

[58] Field of Search D34/15; 280/DIG. 5,
280/DIG. 6; D12/16, 23, 157

[56] References Cited

U.S. PATENT DOCUMENTS

- D. 151,008 9/1948 Rycroft 280/DIG. 5
- D. 261,749 11/1981 Hampton 280/DIG. 6

2,822,969 2/1958 Cooper D12/16

Primary Examiner—Wallace R. Burke

Assistant Examiner—Jr. Fay

Attorney, Agent, or Firm—Litman, Day and McMahon

[57] CLAIM

The ornamental design for a golf club bag carrier for a motorized golf cart, as shown and described.

DESCRIPTION

FIG. 1 is a perspective view of a golf cart attachment embodying my design.

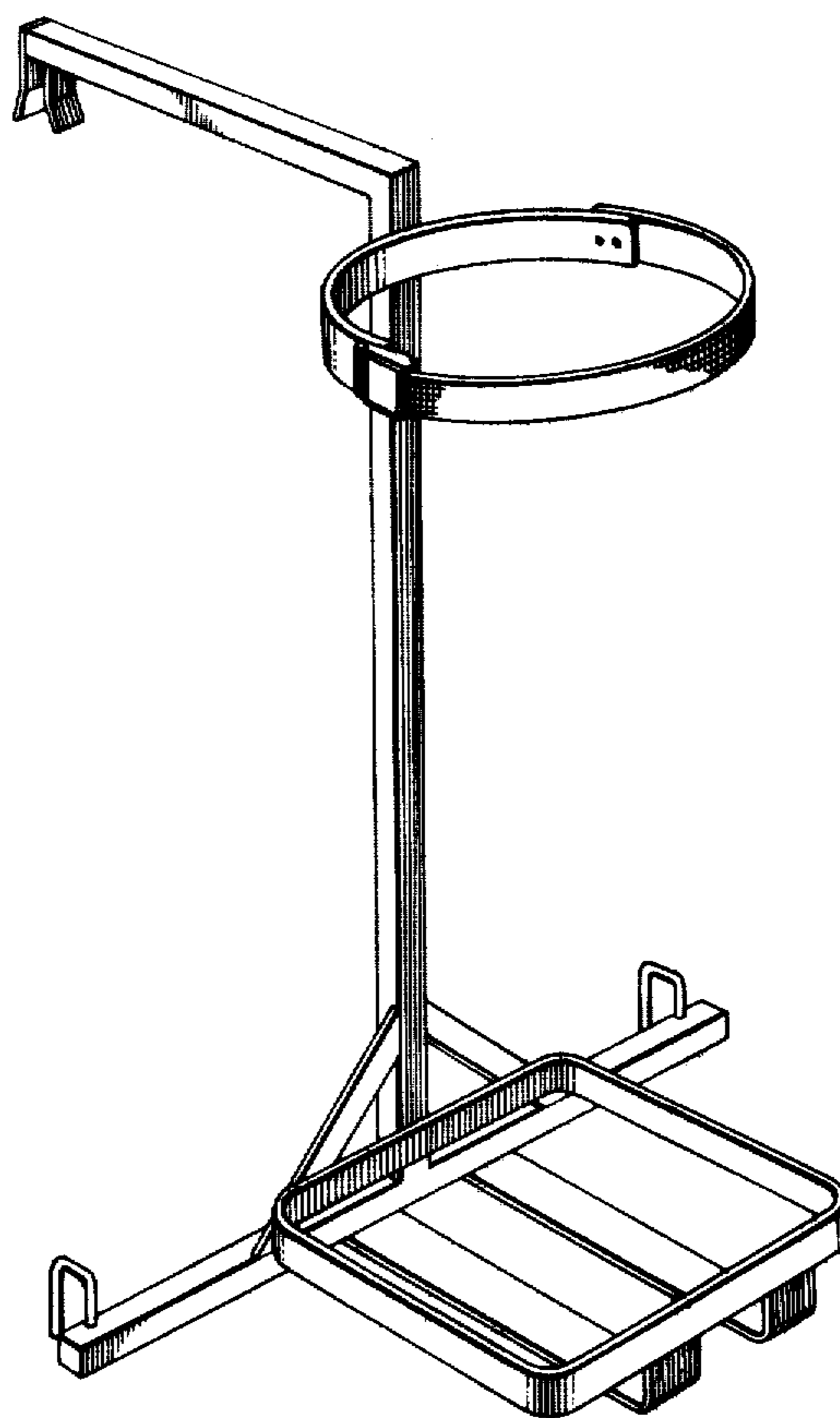
FIG. 2 is a front elevational view thereof.

FIG. 3 is a top plan view thereof.

FIG. 4 is a side elevational view thereof.

FIG. 5 is a rear elevational view thereof.

FIG. 6 is a fragmentary side elevational view of the top portion opposite the side shown in FIG. 4, the bottom portion of the side opposite the side shown in FIG. 4 being a mirror image of the side shown in FIG. 4.



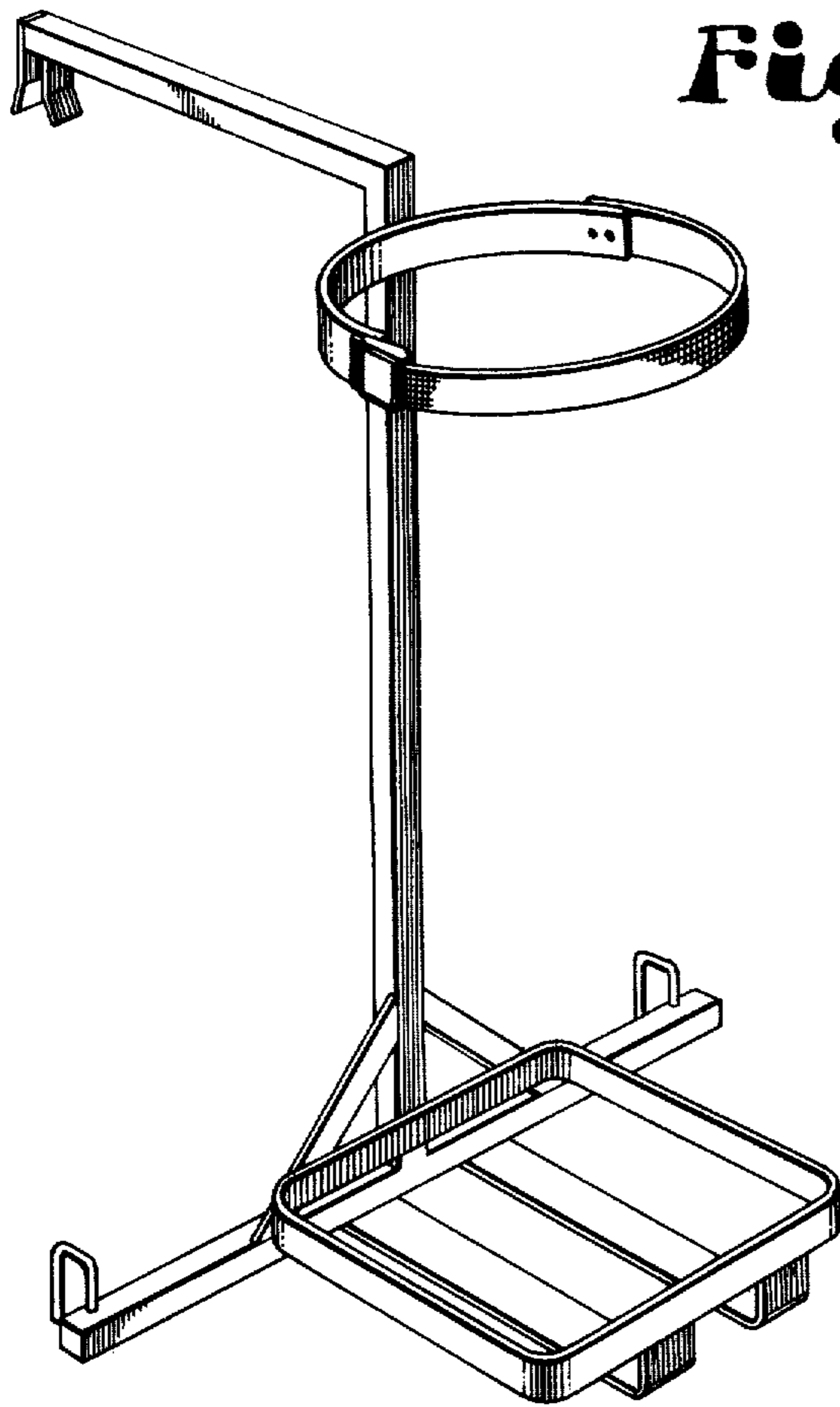


Fig. 1.

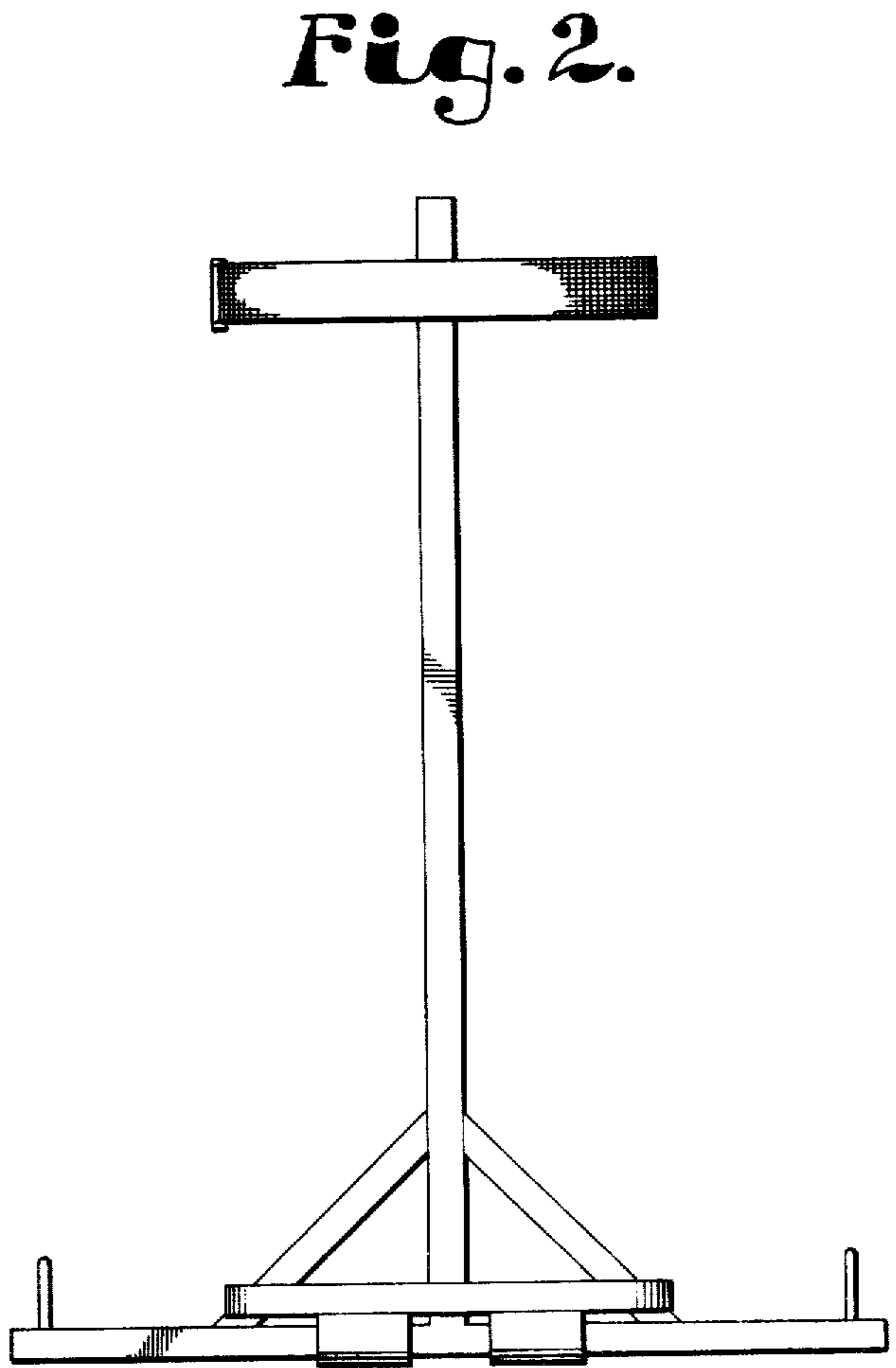


Fig. 2.

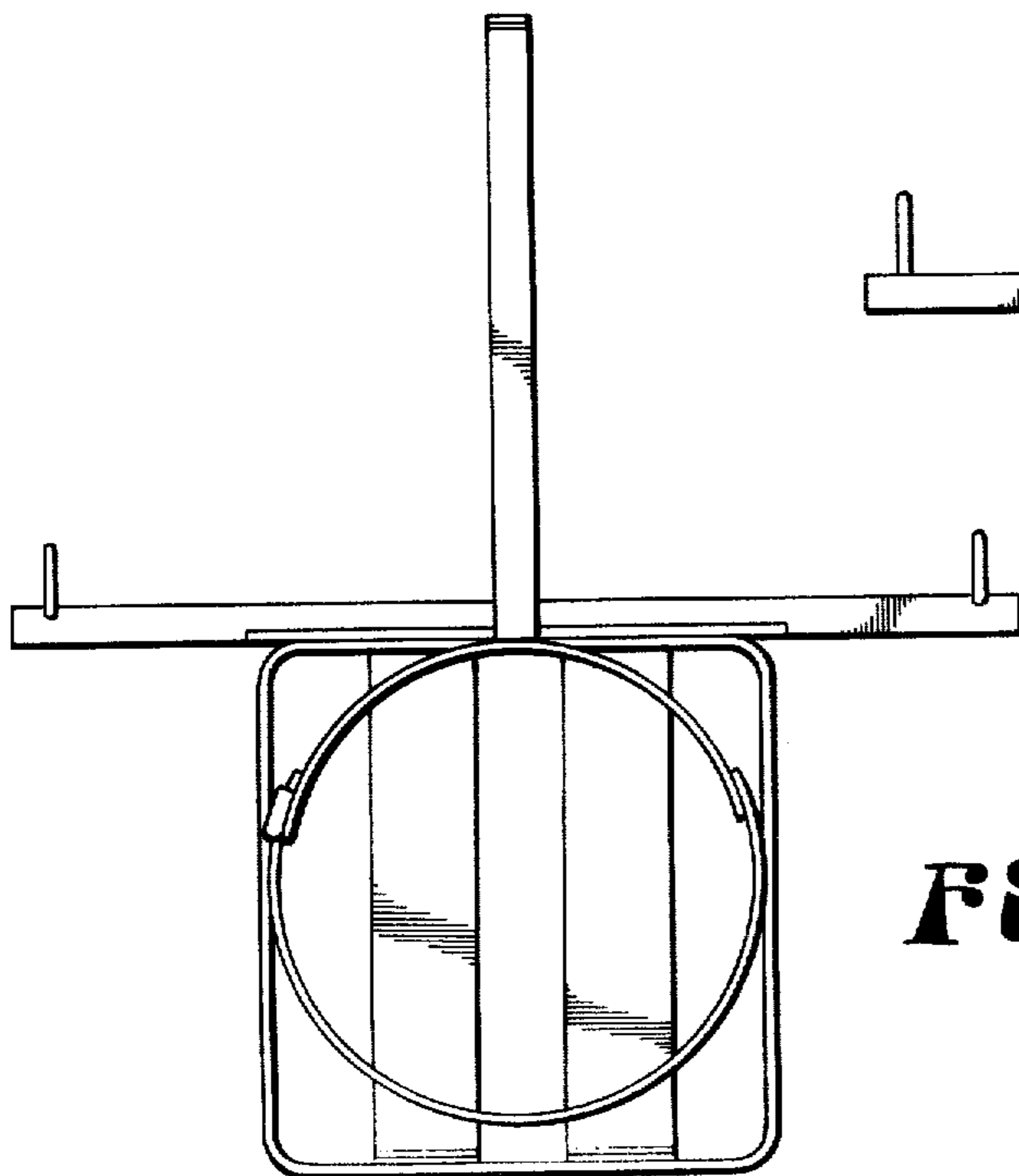


Fig. 3.

Fig. 4.

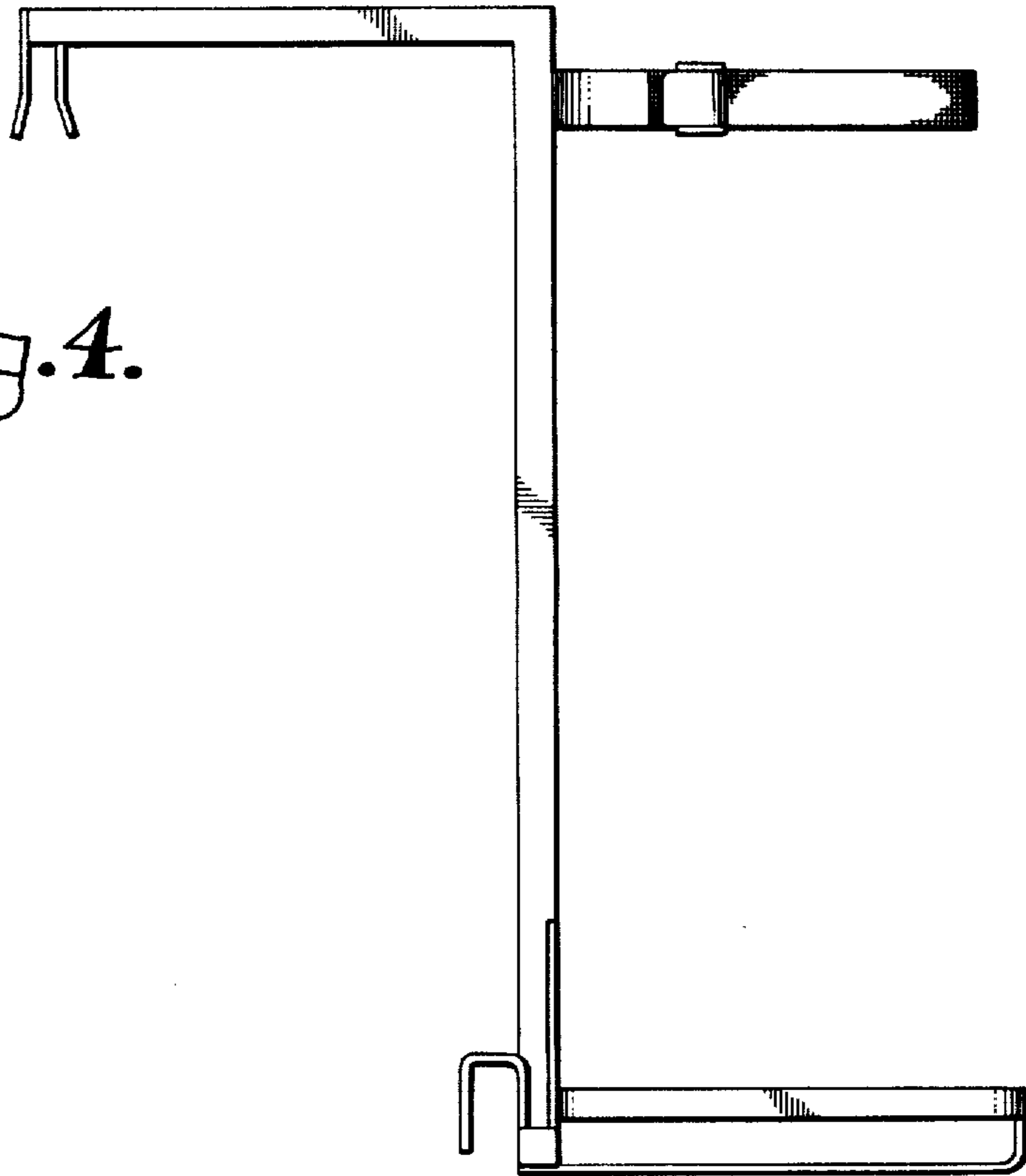


Fig. 5.

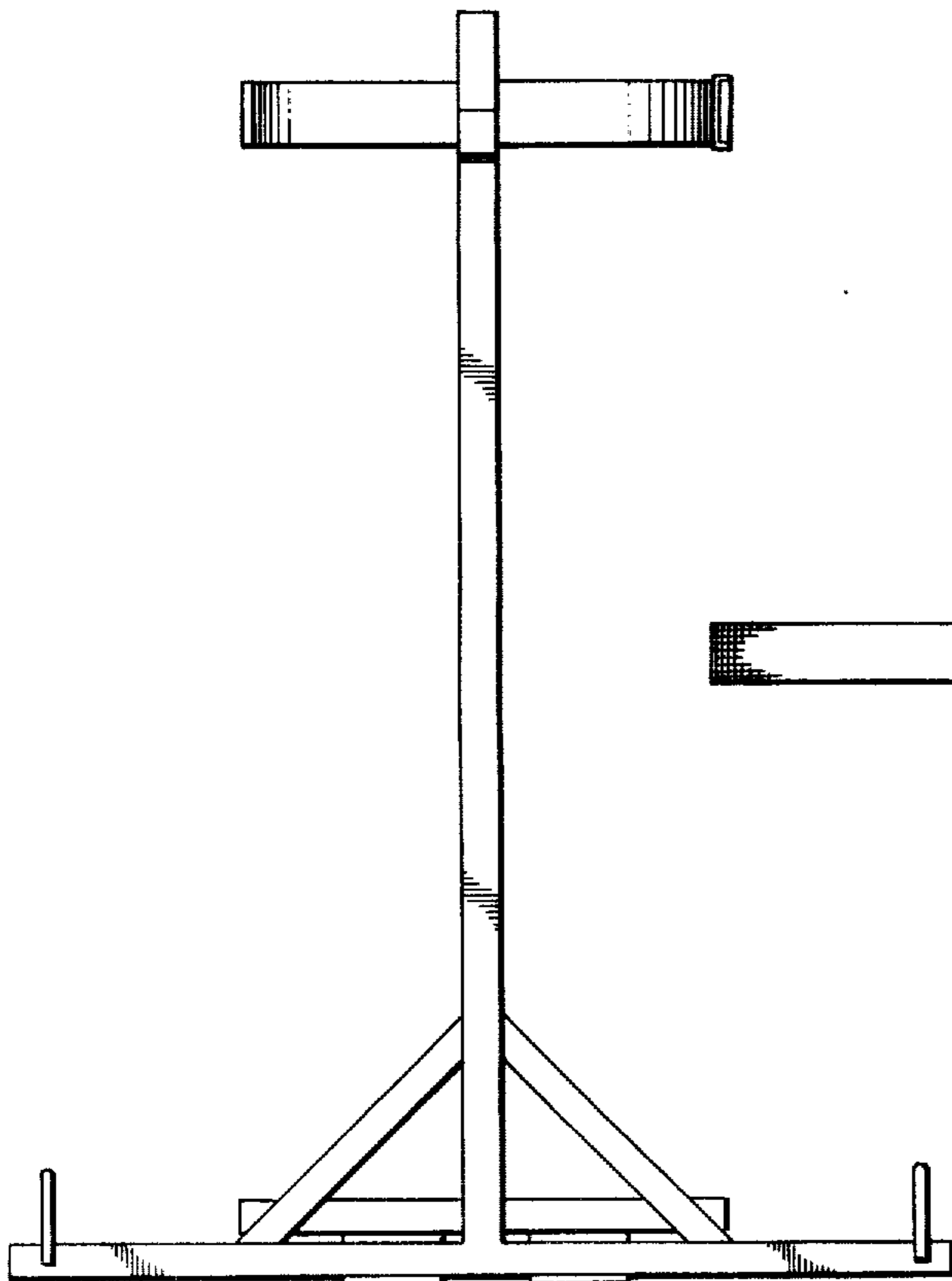


Fig. 6.

