

- [54] **HOT WAX EPILATION CONSOLE**
- [75] Inventor: **Samuel J. Mann**, Englewood, N.J.
- [73] Assignee: **Inverness International Corporation**,
River Edge, N.J.
- [**] Term: **14 Years**
- [21] Appl. No.: **344,136**
- [22] Filed: **Jan. 29, 1982**
- [51] Int. Cl. **D28-03**
- [52] U.S. Cl. **D28/73; D3/39;**
D3/74; D9/377; D9/423
- [58] Field of Search **D28/44, 73, 76-78,**
D28/81, 83-91, 38; D9/420, 423, 337, 341, 377,
403, 413; D3/39, 74; 206/581, 235, 385, 823;
219/222; 220/DIG. 26; 132/79 R-79 D, 79 F,
79 G, 82 R-82 G, 83 R-83 H, 84 R, 84 B-84 D

- [56] **References Cited**
- U.S. PATENT DOCUMENTS**
- | | | | | |
|------------|---------|-----------|-------|---------|
| D. 252,794 | 9/1979 | Lucas | | D9/377 |
| D. 258,097 | 2/1981 | Wistrand | | D3/39 |
| 3,410,985 | 11/1968 | Giacchero | | 219/222 |
- Primary Examiner*—Louis S. Zarfes
Attorney, Agent, or Firm—Blum, Kaplan, Friedman,
Silberman & Beran

[57] **CLAIM**

The ornamental design for a hot wax epilation console, as shown and described.

DESCRIPTION

FIG. 1 is a left side perspective view of a hot wax epilation console showing my new design;
FIG. 2 is an enlarged top plan view thereof;
FIG. 3 is an enlarged right side elevational view thereof;
FIG. 4 is an enlarged rear elevational view thereof; and
FIG. 5 is an enlarged bottom plan view thereof.

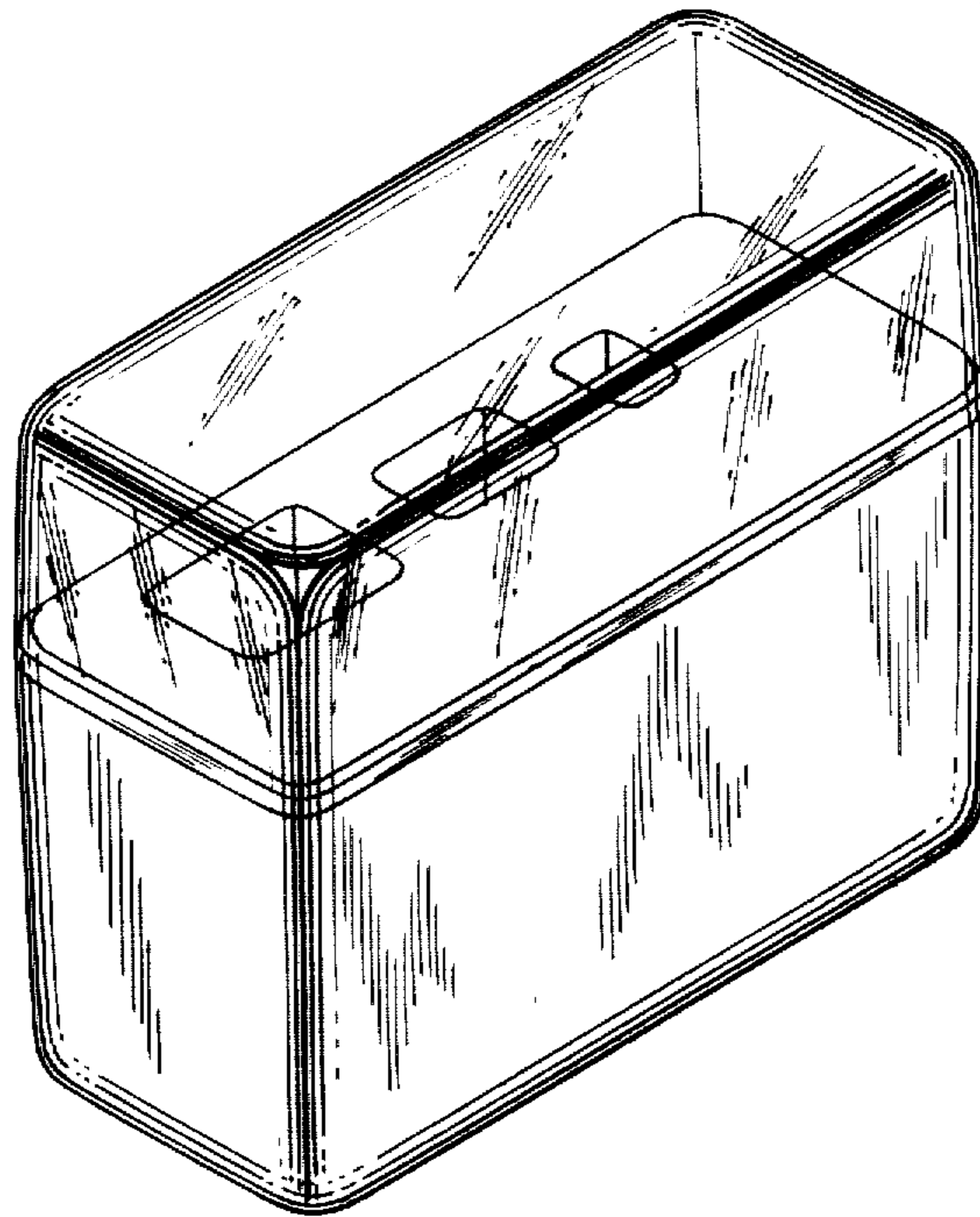


FIG. 3

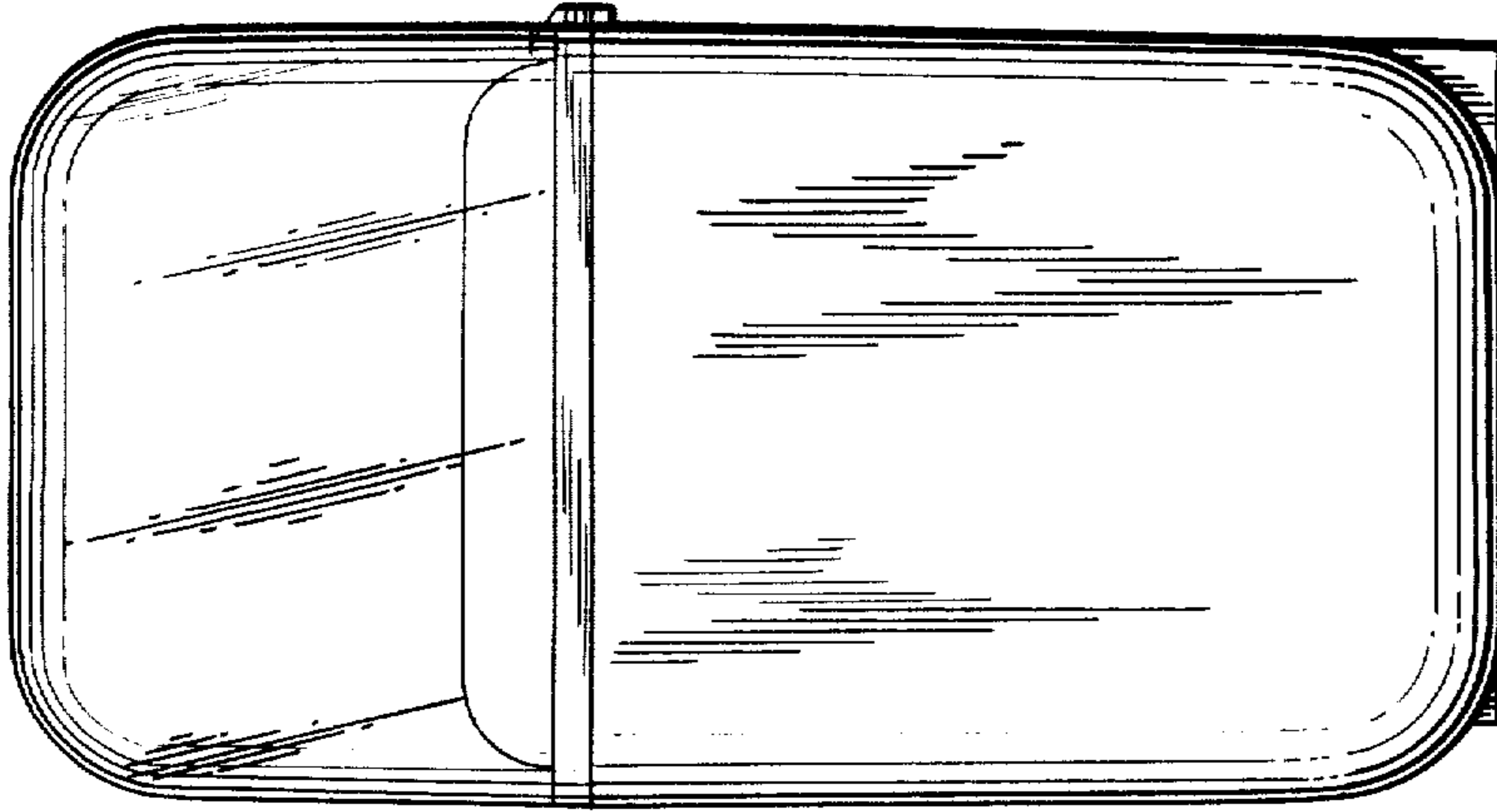


FIG. 1

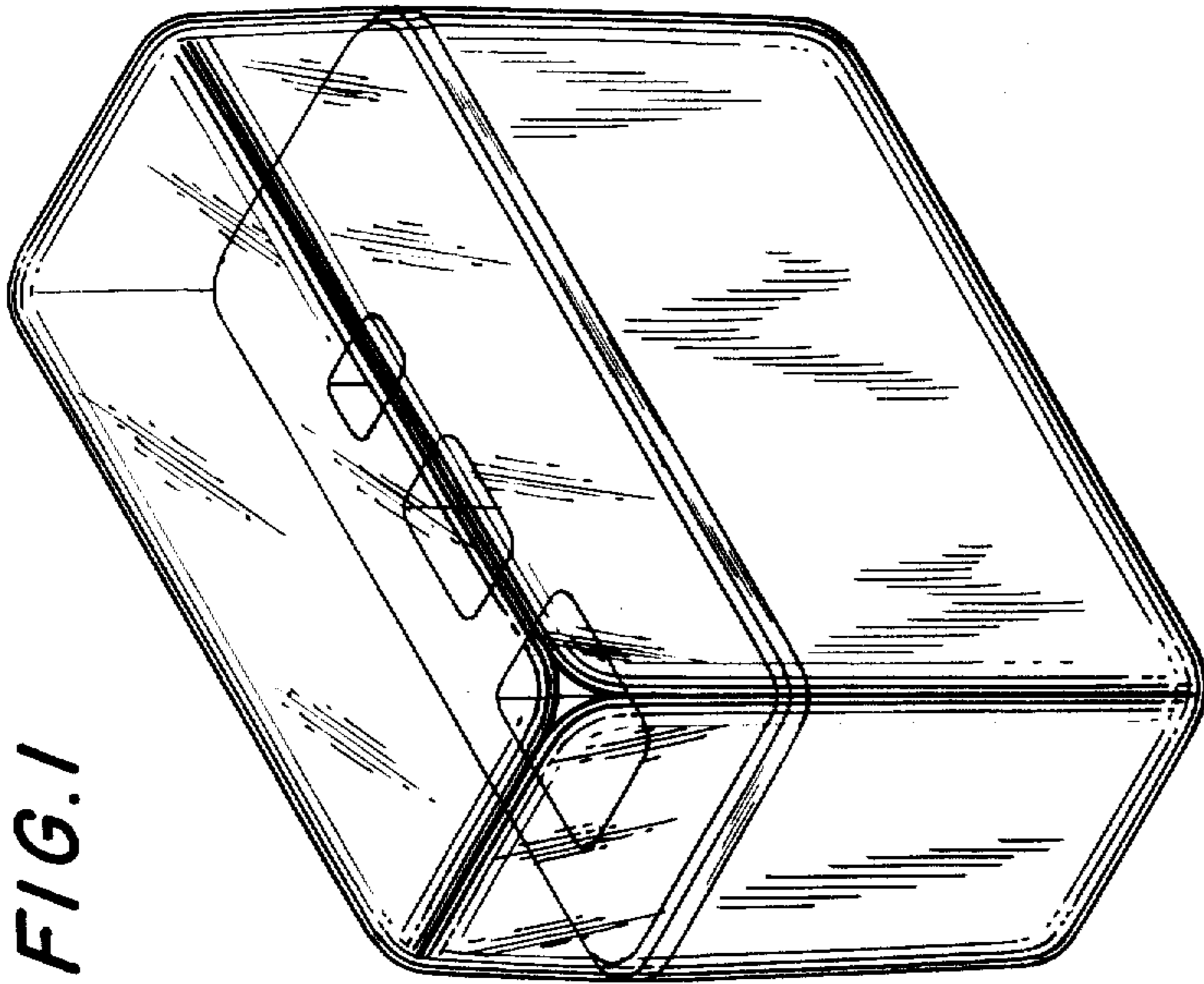


FIG. 2

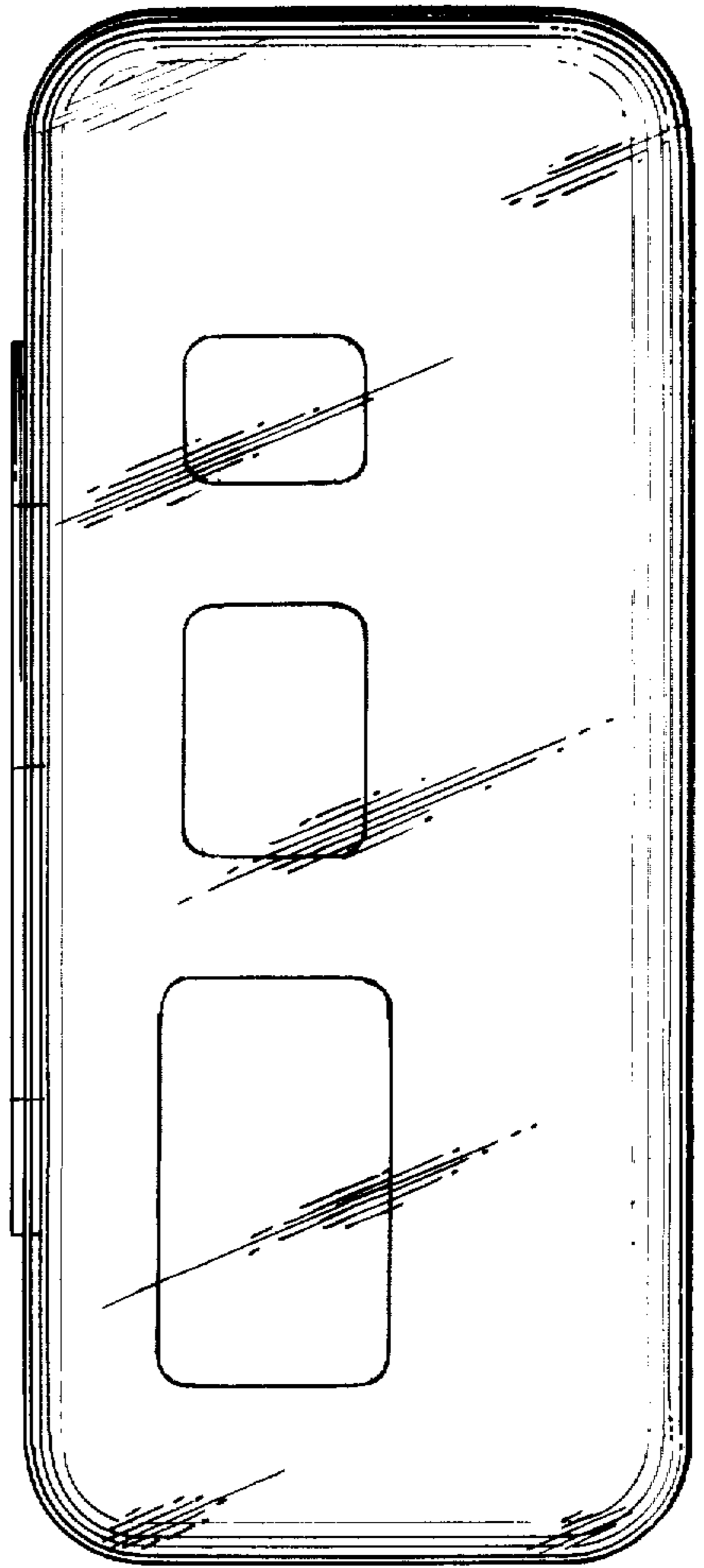


FIG. 4

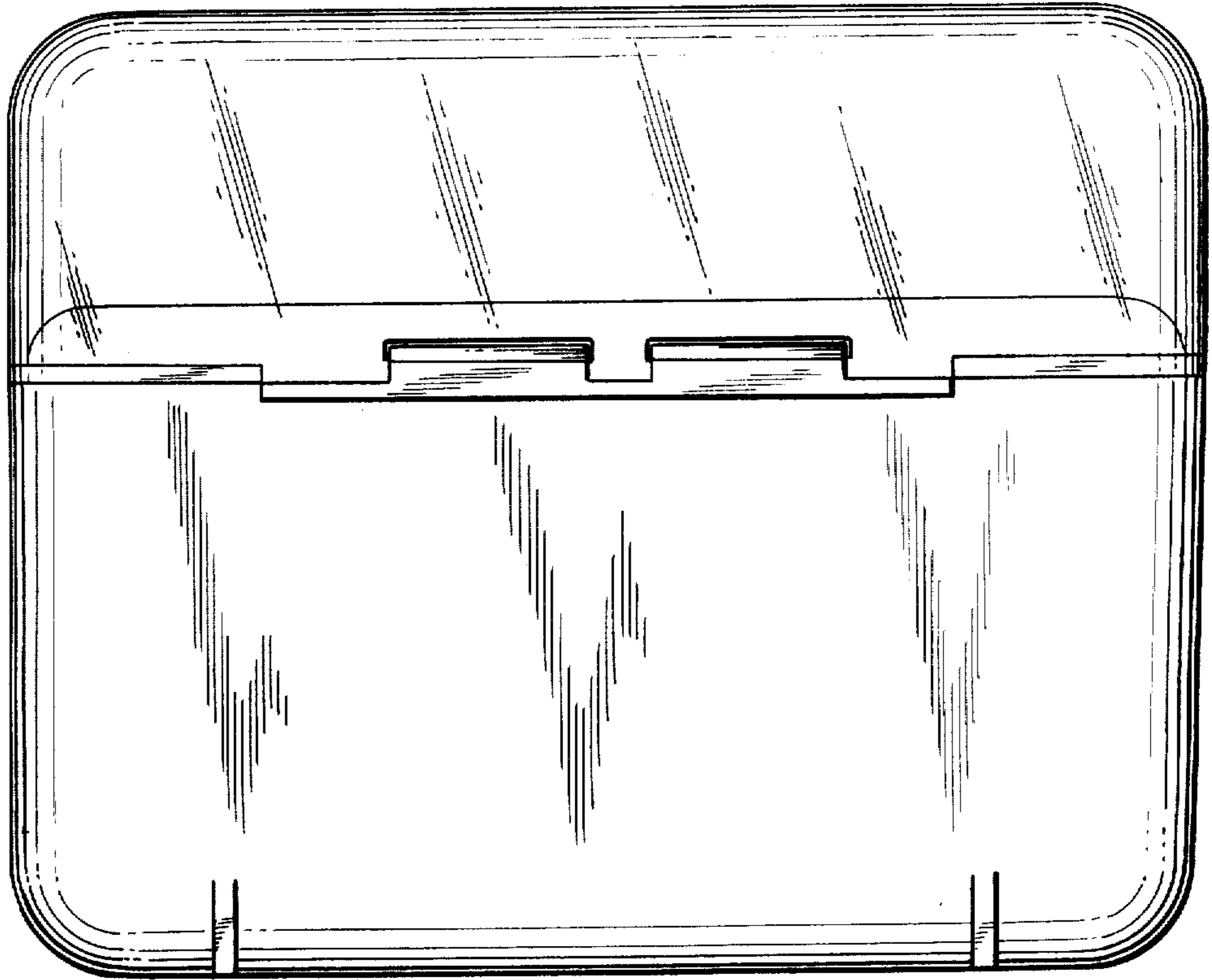


FIG. 5

