

[54] **CONTAINER FOR A MEDICINAL INHALER**

[75] Inventor: **David M. Young**, Loughborough, England

[73] Assignee: **Fisons Limited**, London, England

[**] Term: **14 Years**

[21] Appl. No.: **44,706**

[22] Filed: **Jun. 1, 1979**

[30] **Foreign Application Priority Data**

Dec. 8, 1978 [GB] United Kingdom 987 602

[51] Int. Cl. **D24-99**

[52] U.S. Cl. **D24/62**

[58] Field of Search **D24/62; 128/203.12, 128/203.15, 203.21, 203.23**

[56] **References Cited**

U.S. PATENT DOCUMENTS

| | | | |
|------------|---------|--------------------|------------|
| D. 134,131 | 10/1942 | Derham et al. | D24/62 |
| D. 247,578 | 3/1978 | Sponseller | D24/56 |
| 440,132 | 11/1890 | Brittain | 128/203.12 |
| 1,682,403 | 8/1928 | Murray | 220/4 B |
| 2,328,543 | 9/1943 | Bauman | 220/4 B |
| 2,549,303 | 4/1951 | Friden | 128/203.21 |
| 2,573,918 | 11/1951 | McCuiston | 128/203.15 |
| 2,581,182 | 1/1952 | Fields | 128/203.15 |

| | | | |
|-----------|---------|--------------------|------------|
| 2,603,216 | 7/1952 | Taplin et al. | 128/203.15 |
| 2,642,063 | 6/1953 | Brown | 128/203.15 |
| 2,705,007 | 3/1955 | Gerber | 128/203.21 |
| 2,762,411 | 9/1956 | Haskins | D9/426 |
| 2,998,896 | 9/1961 | Miller | 220/4 B |
| 4,117,844 | 10/1978 | James | 128/203.15 |

FOREIGN PATENT DOCUMENTS

727272 6/1932 France 220/4 B

Primary Examiner—T. Tung

Attorney, Agent, or Firm—Merriam, Marshall & Bicknell

[57] **CLAIM**

The ornamental design for a container for a medicinal inhaler, as shown and described.

DESCRIPTION

FIG. 1 is a front elevational view of a container for a medicinal inhaler showing my new design; FIG. 2 is a right side view of the container of FIG. 1; FIG. 3 is a perspective view of one-half of the container of FIG. 1; FIG. 4 is a top view of the container half of FIG. 3; FIG. 5 is a perspective view of the other half of the container of FIG. 1; FIG. 6 is a top view of the container half of FIG. 5; and FIG. 7 is an exploded view showing the two halves of the container in a unitary relation.

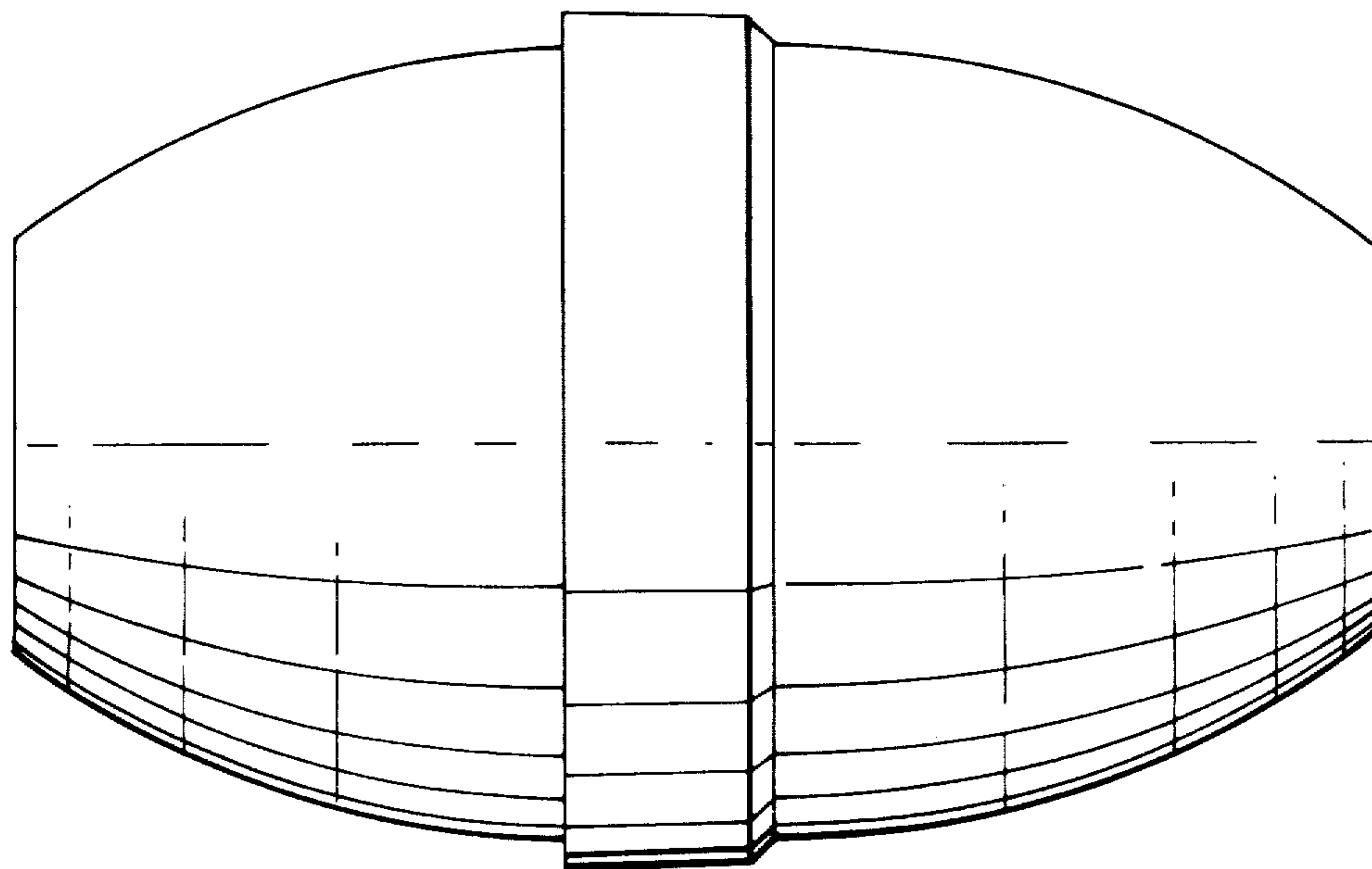


Fig. 1.

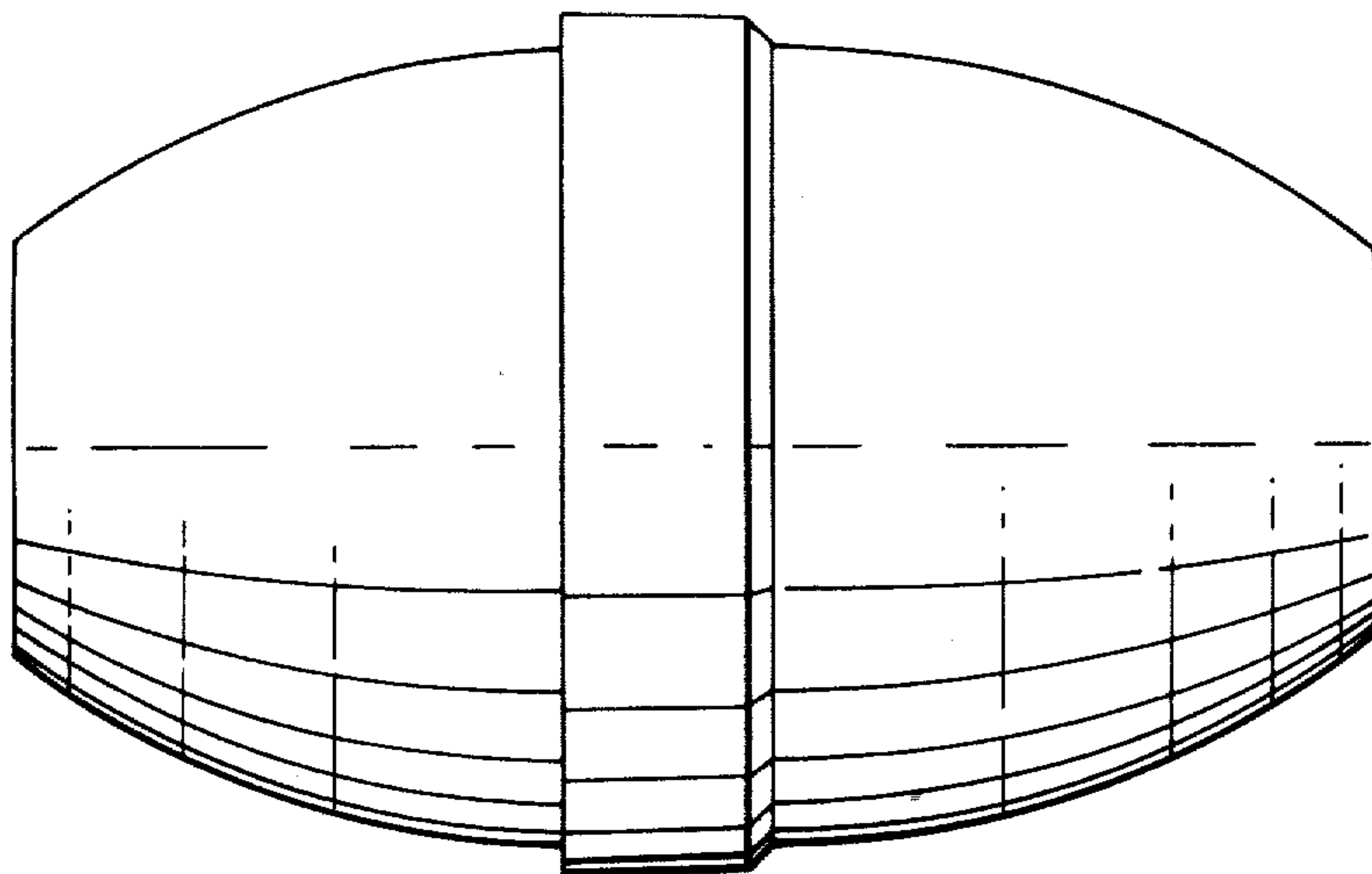


Fig. 2.

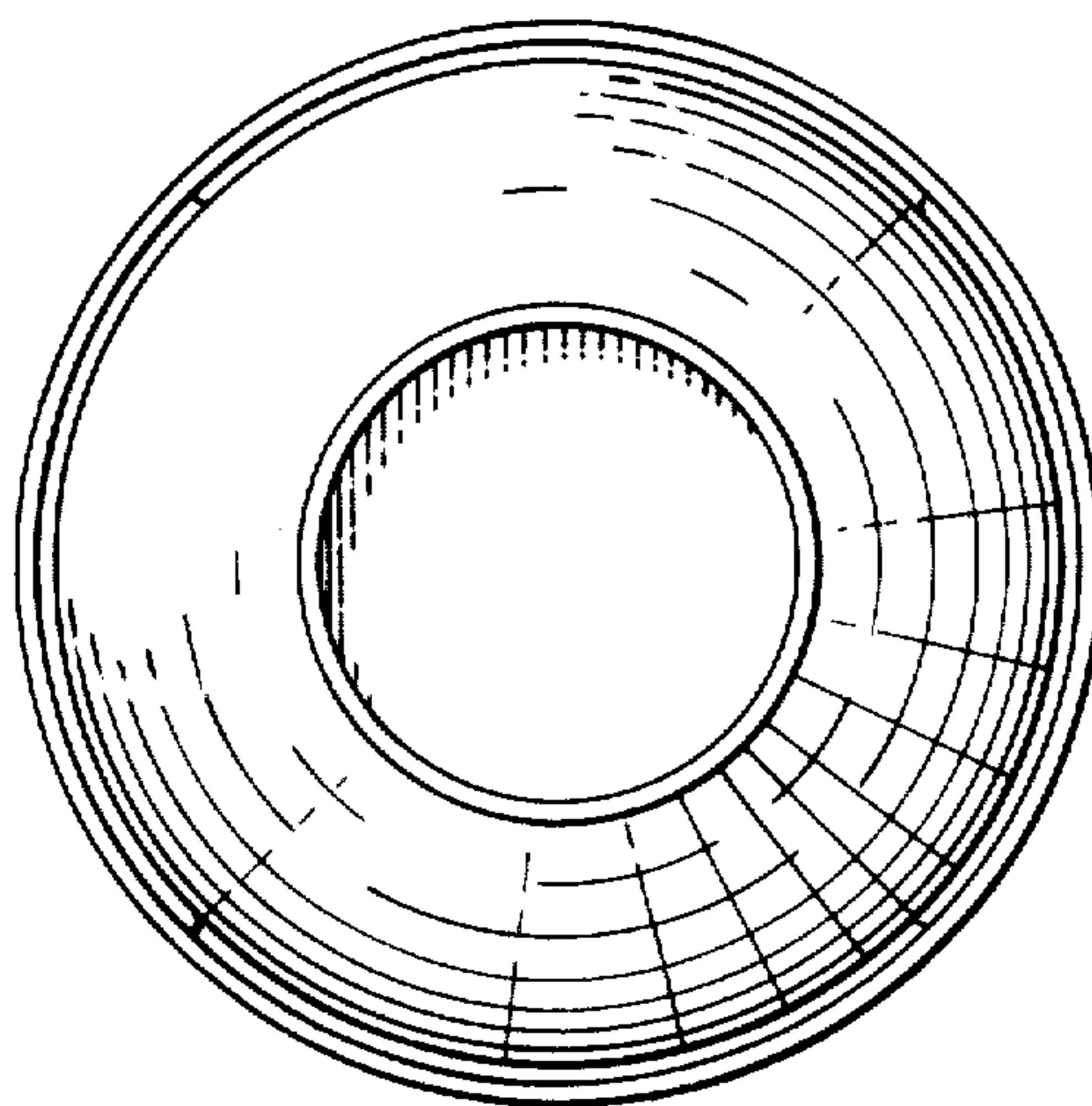


Fig. 3.

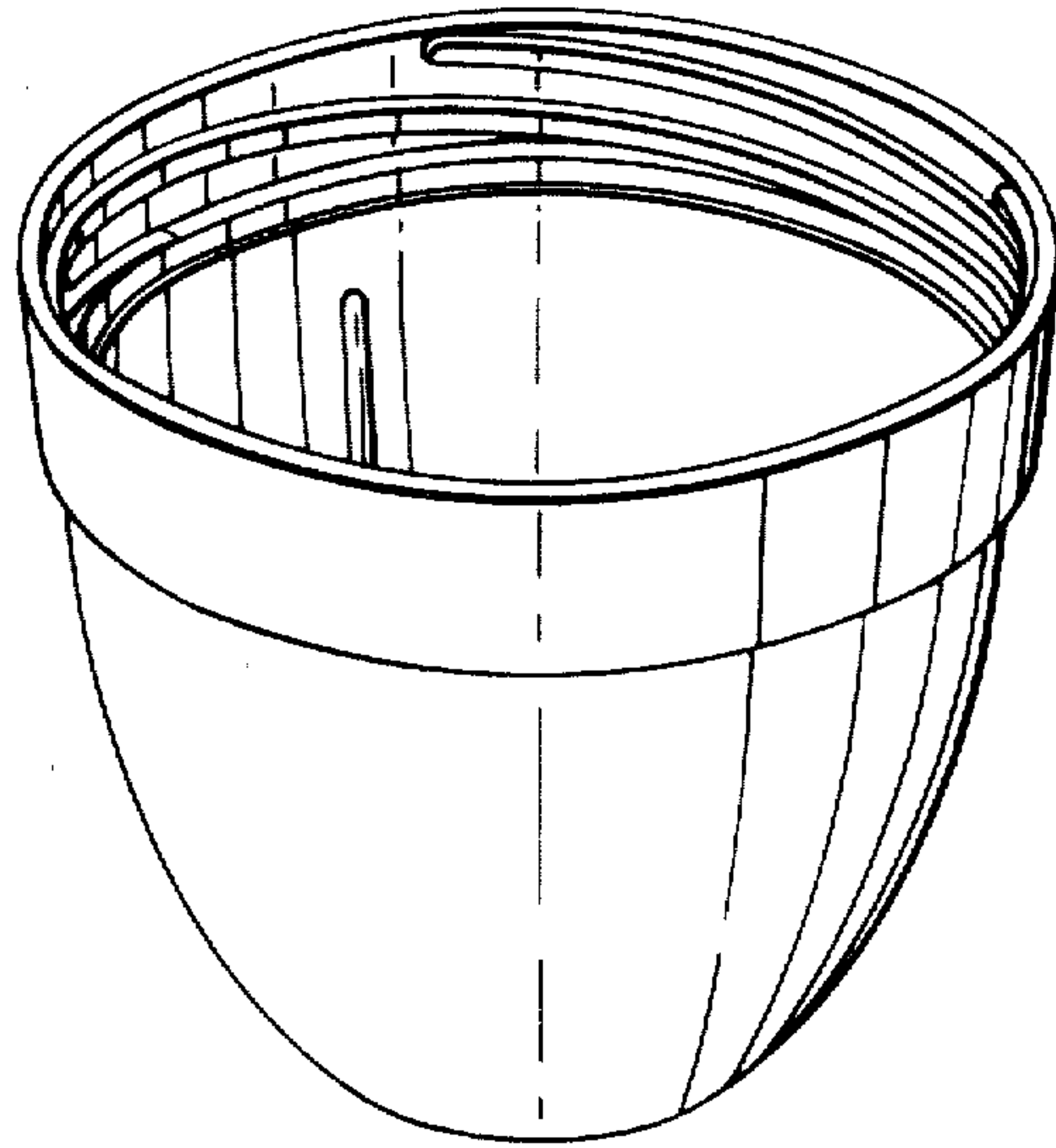


Fig. 4.

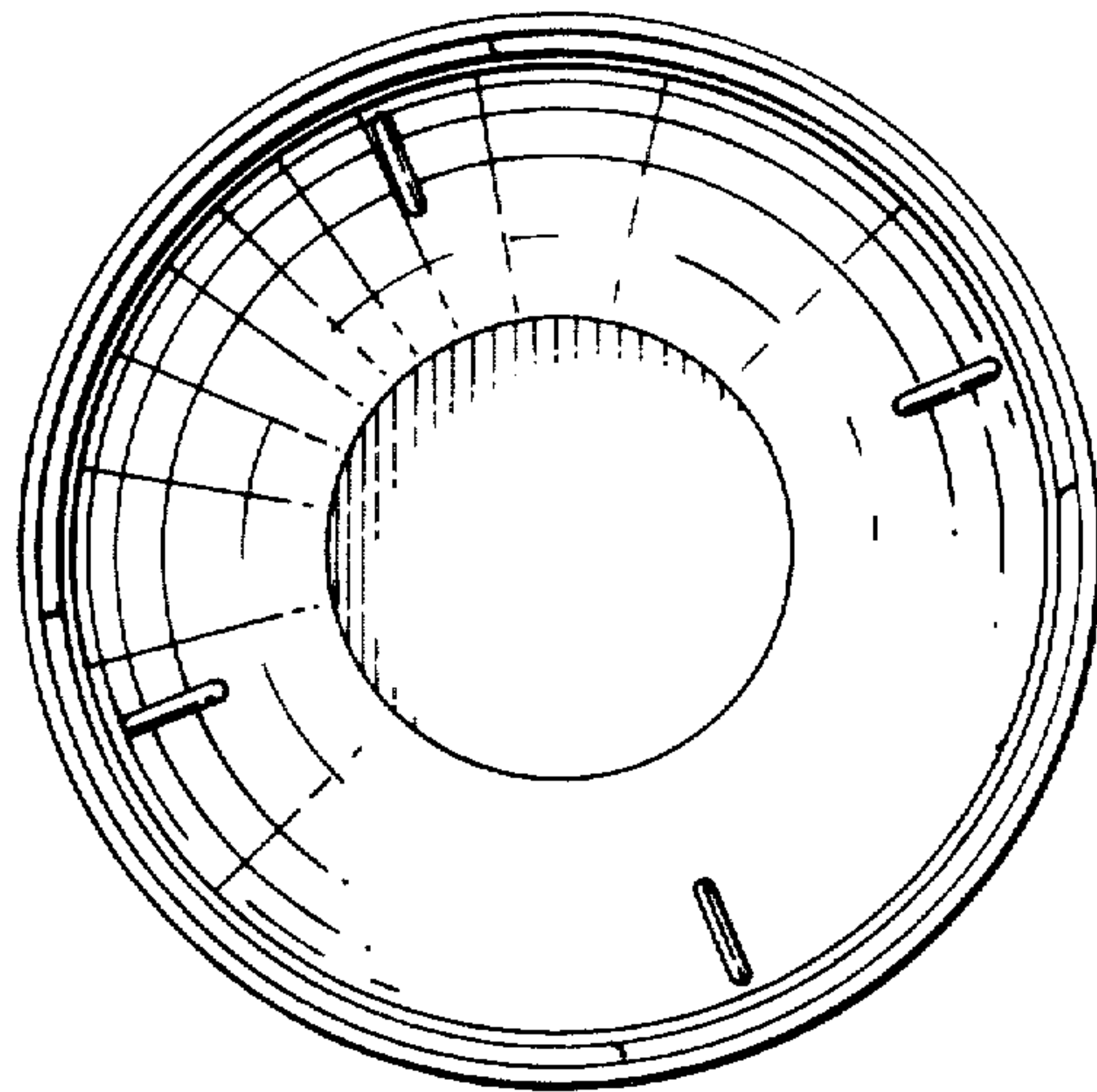


Fig. 5.

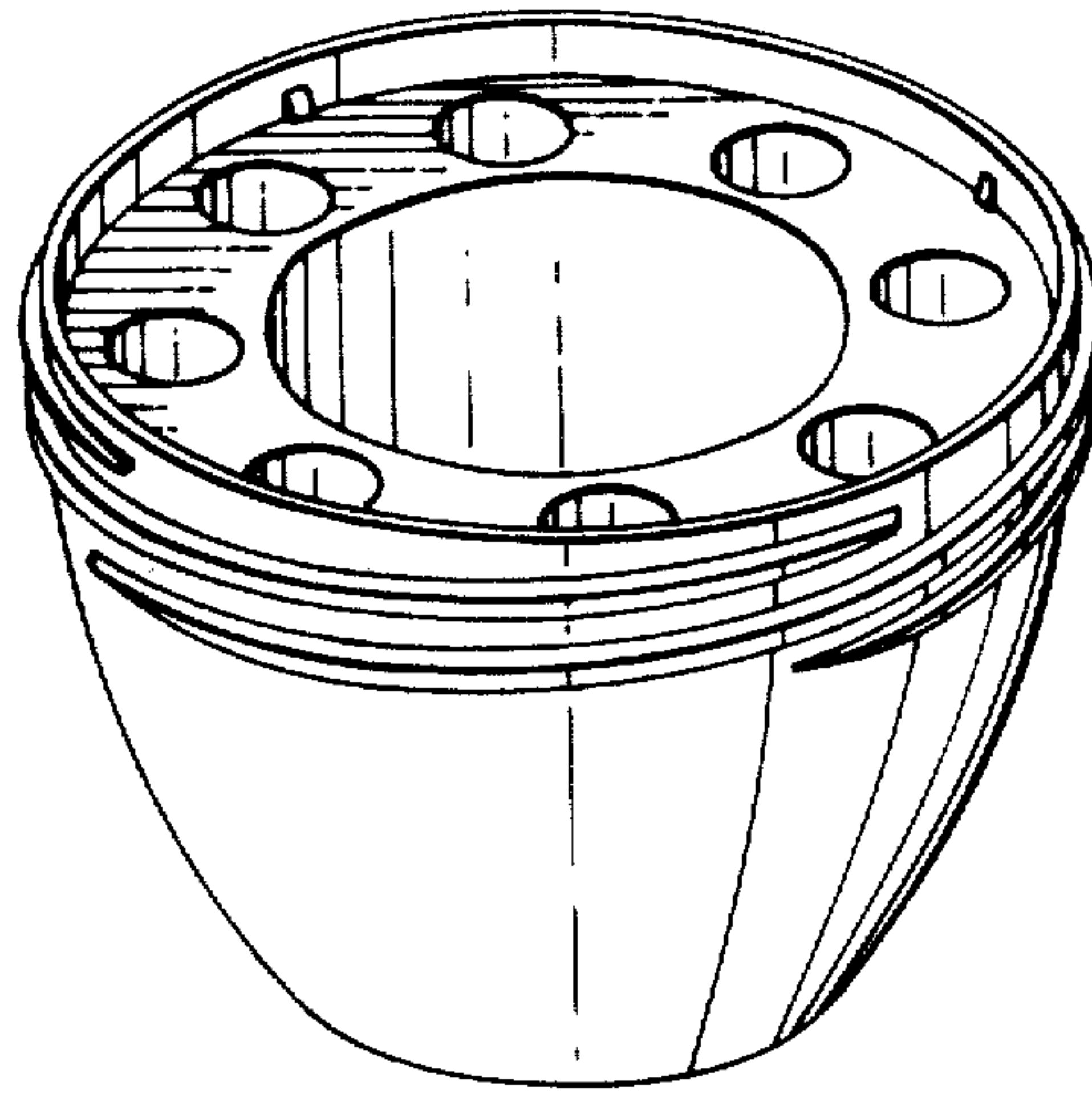
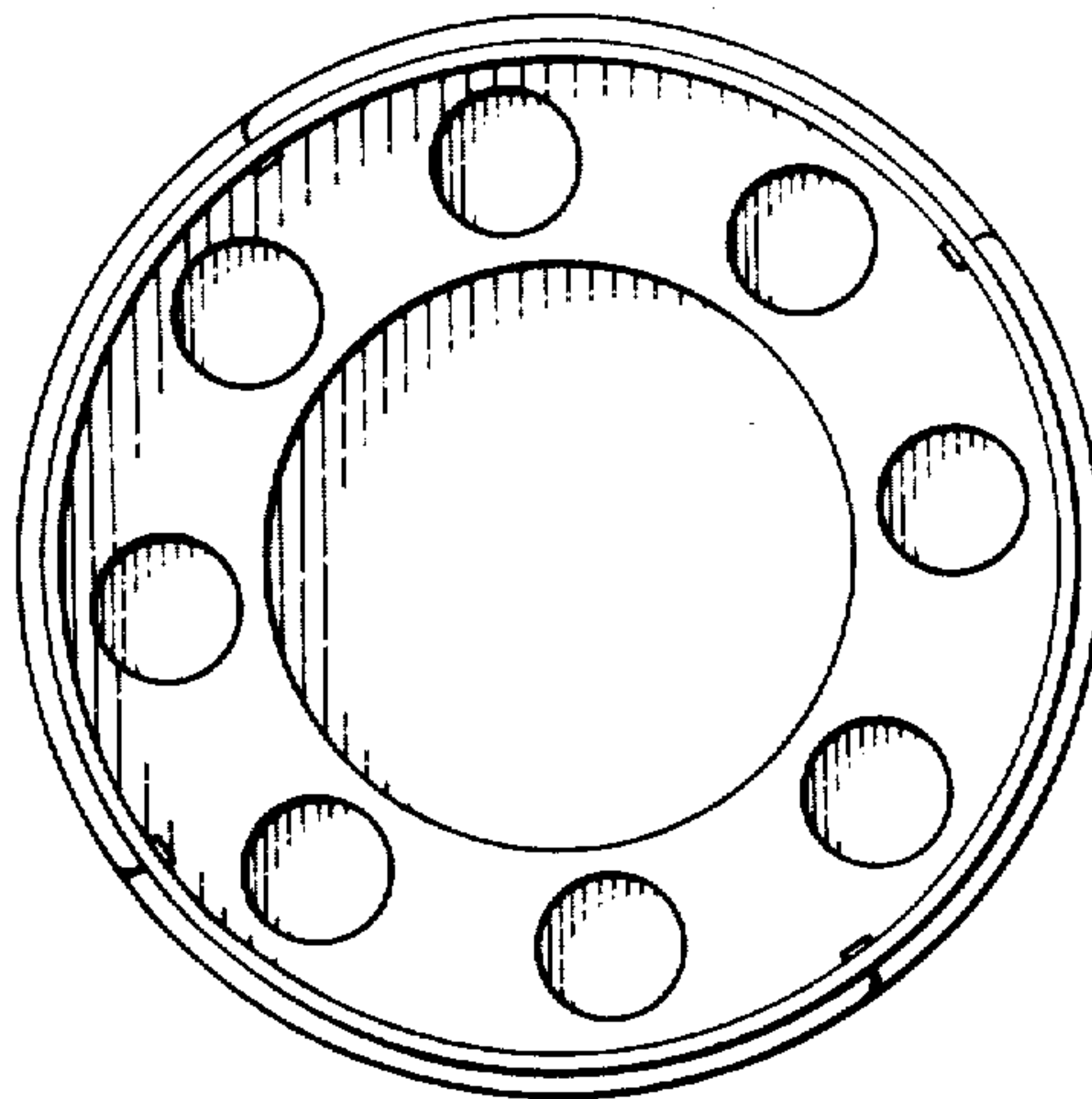


Fig. 6.



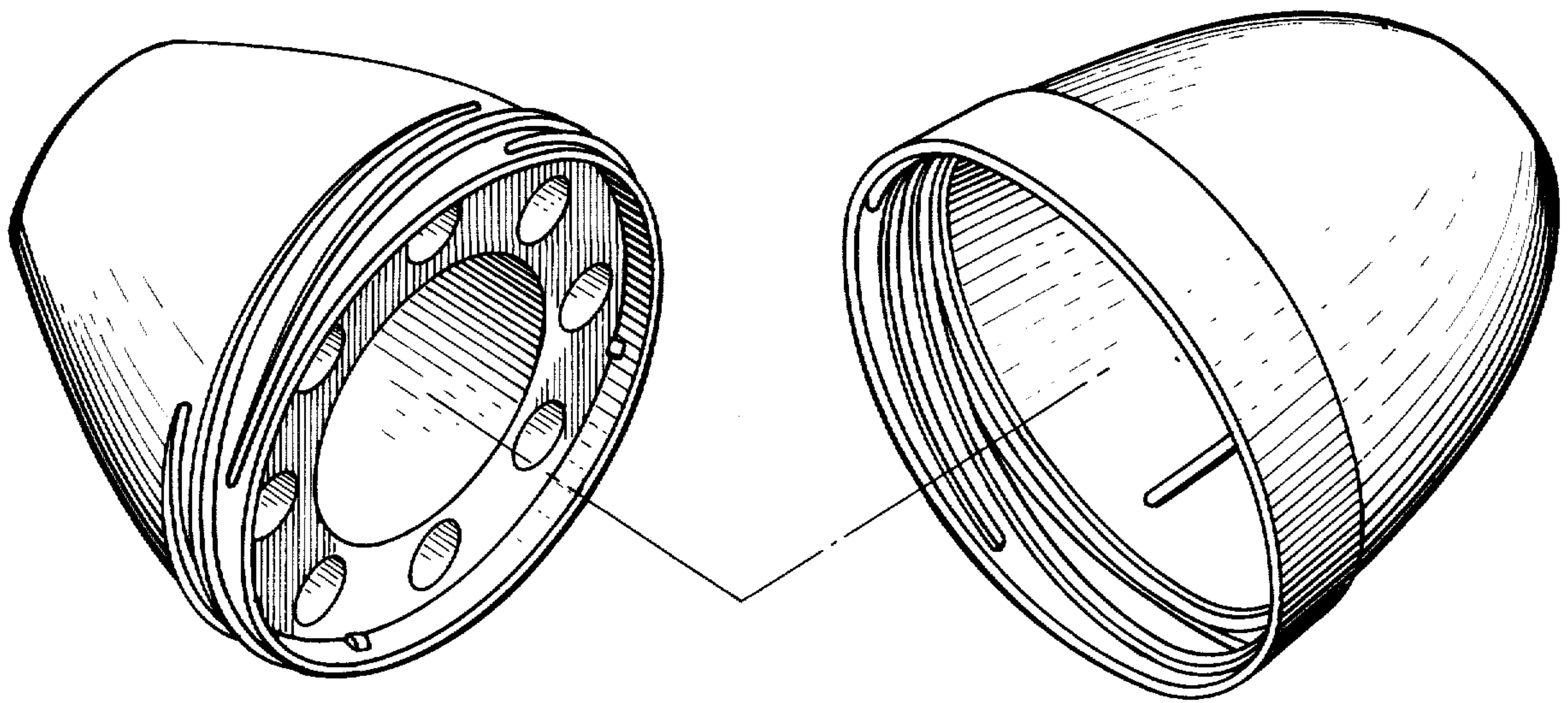


FIG. 7