

[54] SURGICAL STAPLING INSTRUMENT

[75] Inventors: Reinhart Butter, Columbus, Ohio; Lehmann K. Li, Fairfield, Conn.

[73] Assignee: American Cyanamid Company, Stamford, Conn.

[**] Term: 14 Years

[21] Appl. No.: 194,711

[22] Filed: Oct. 6, 1980

[51] Int. Cl. D24-02
[52] U.S. Cl. D24/27; D8/49
[58] Field of Search 128/334 R; D24/27; 227/83, 19, 120, 110, 128-134; D8/49, 50, 51

[56] References Cited
U.S. PATENT DOCUMENTS

D.253,612 12/1979 Jarvik et al. D24/27

3,873,016 3/1975 Fishbein 227/83
4,076,162 2/1978 Kapitanov et al. 128/334.4 R X
4,109,844 8/1978 Becht 227/19 X
4,179,057 12/1979 Becht et al. 227/19
4,185,762 1/1980 Froehlich 227/120 X
4,196,836 4/1980 Becht 227/110

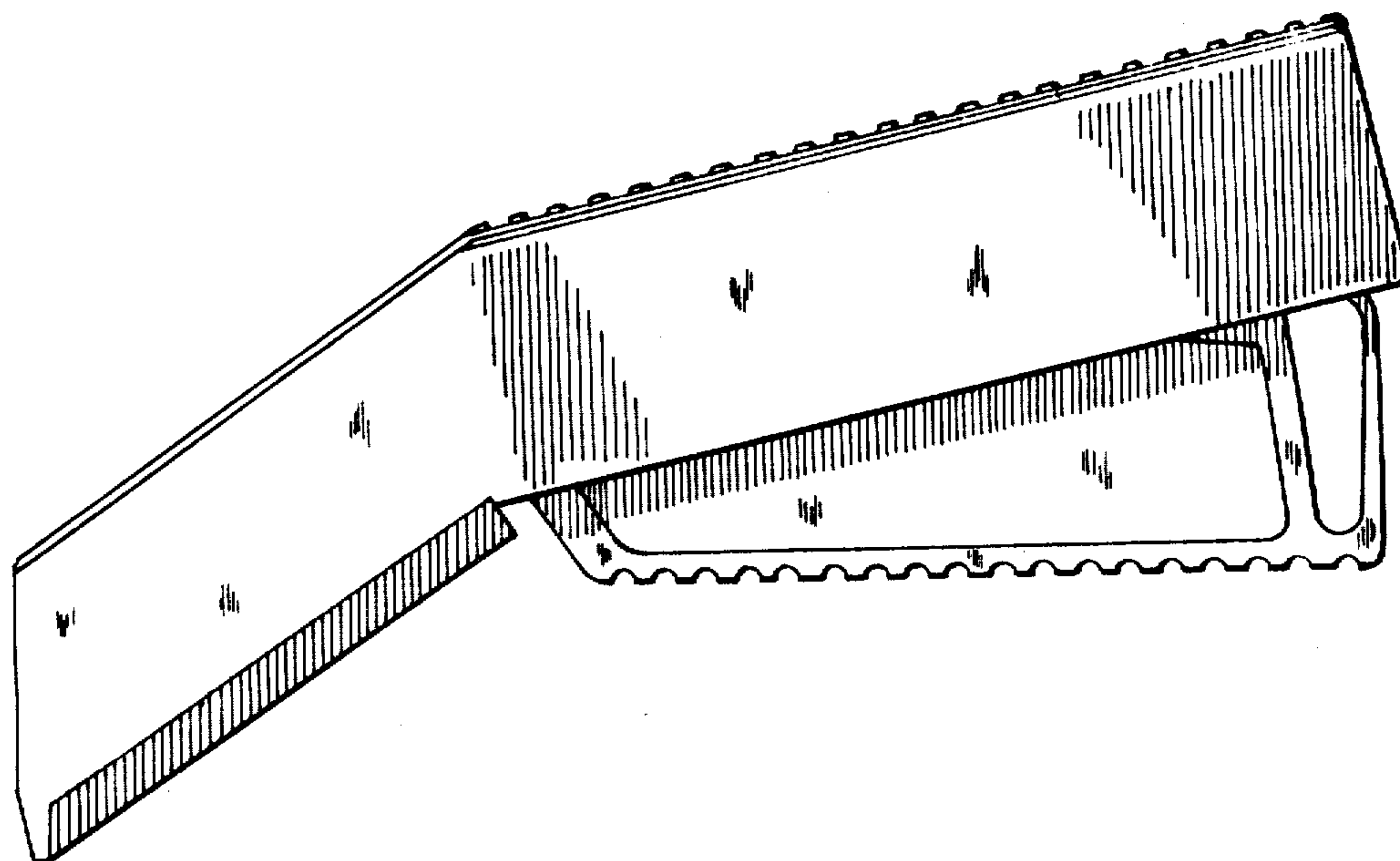
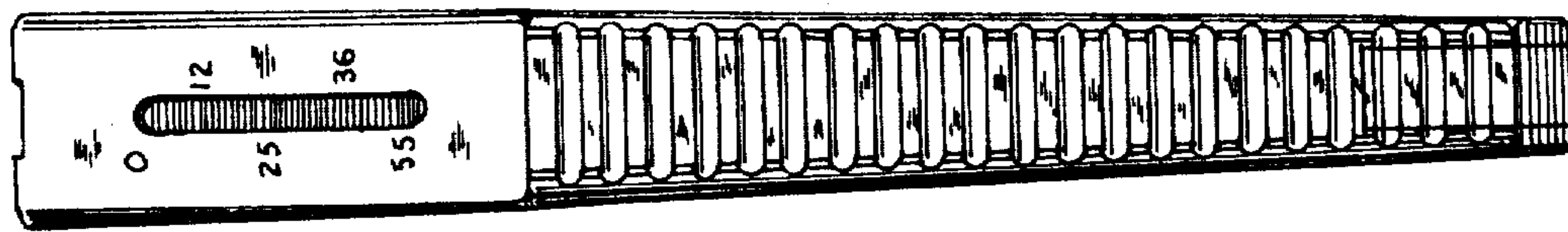
Primary Examiner—Bernard Ansher
Attorney, Agent, or Firm—Charles F. Costello, Jr.

[57] CLAIM

The ornamental design for a surgical stapling instrument, substantially as shown and described.

DESCRIPTION

FIG. 1 is a top plan view of a surgical stapling instrument showing our new design; FIG. 2 is a side elevation thereof; FIG. 3 is a fragmentary perspective view of the front portion of the instrument; and FIG. 4 is a fragmentary perspective view of the rear portion of the instrument.



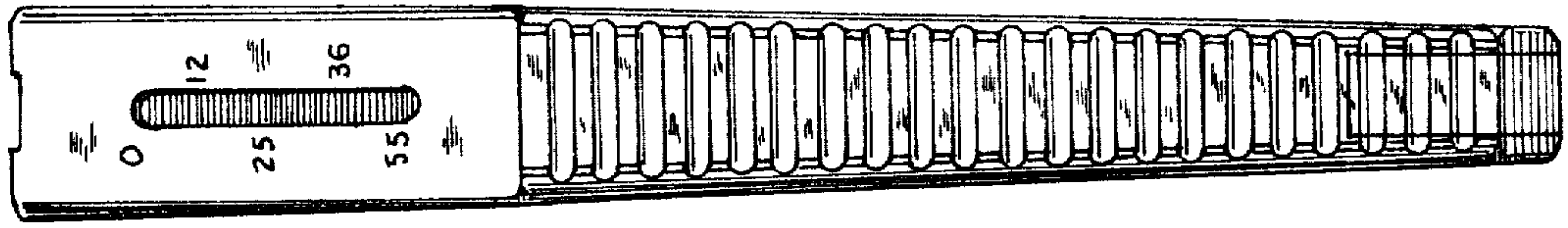


FIG. 1

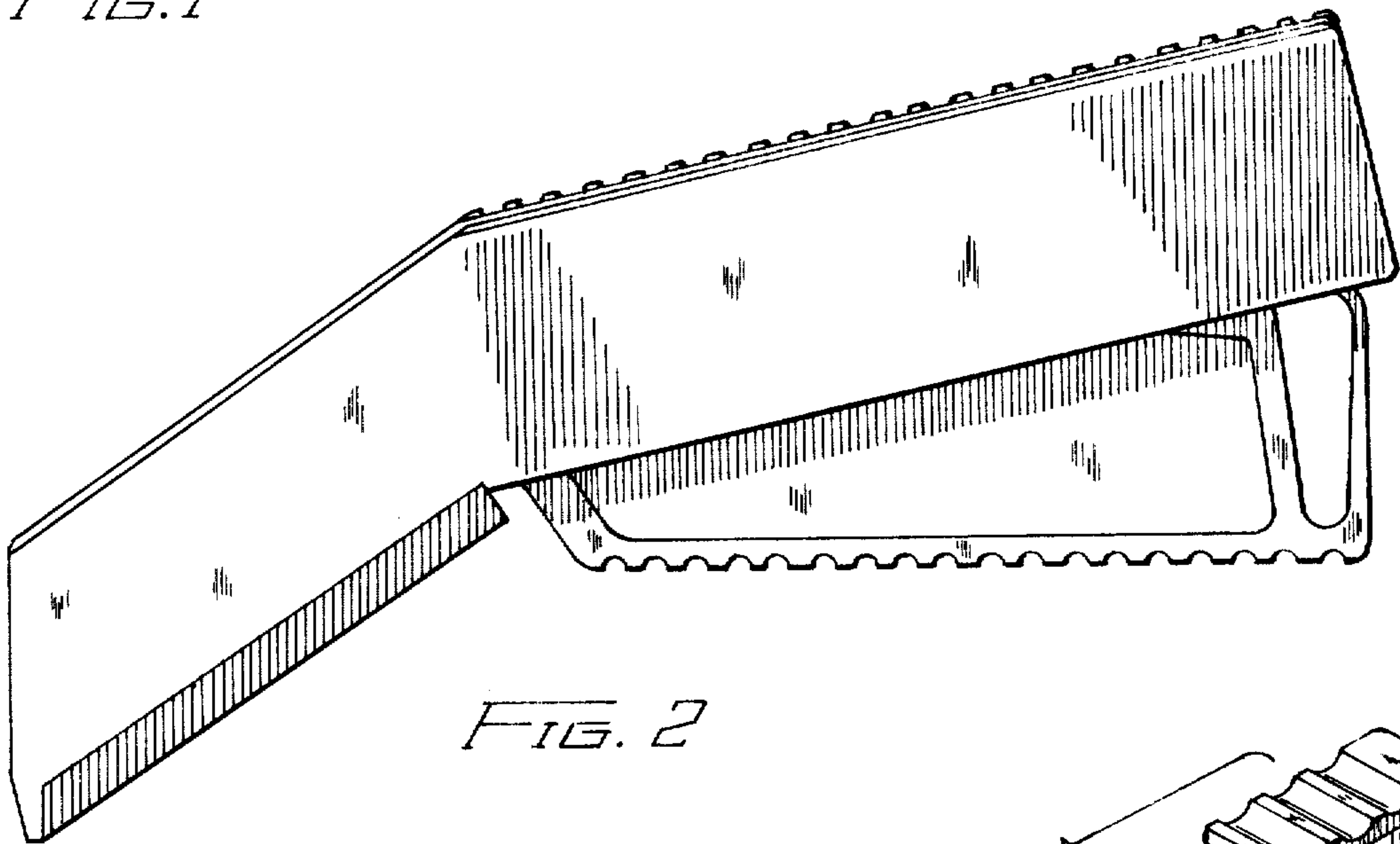


FIG. 2

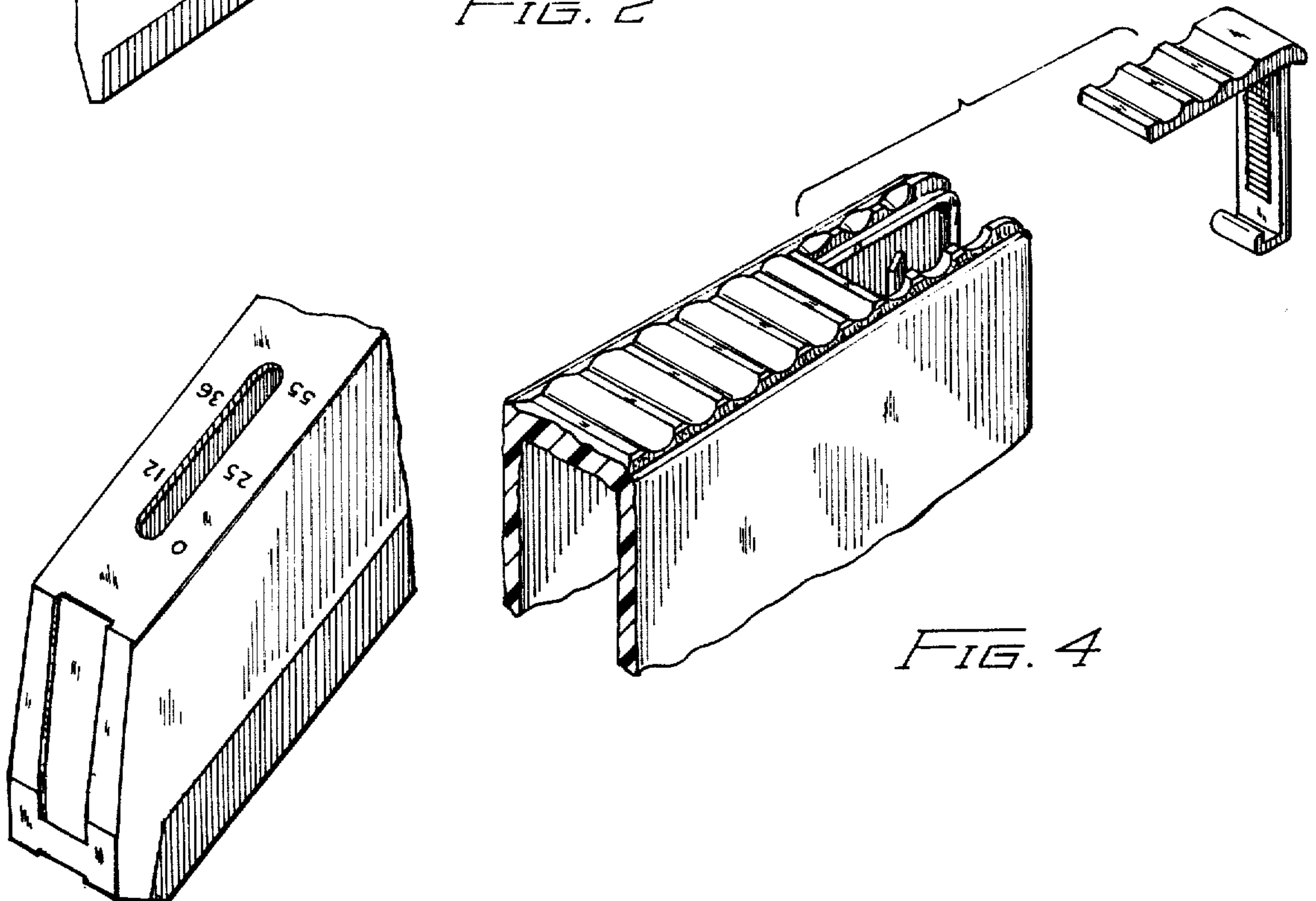


FIG. 3

FIG. 4