

[54] **INCISION APPROXIMATOR**

[76] Inventor: **Richard L. Shaffner**, 1640 Damon Ct., Dunwoody, Ga. 30338

[**] Term: **14 Years**

[21] Appl. No.: **211,748**

[22] Filed: **Dec. 1, 1980**

[51] Int. Cl. **D24—02**

[52] U.S. Cl. **D24/26**

[58] Field of Search 128/20, 303 R, 345; D24/26, 27, 99

3,863,639 2/1975 Kleaveland 128/303 R

FOREIGN PATENT DOCUMENTS

511203 3/1920 France 128/20

OTHER PUBLICATIONS

V. Mueller & Co., Catalog No. 65, ©1963, p. 312, Item D, Lemmon Sternal Approximator.

Primary Examiner—Bernard Ansher
Attorney, Agent, or Firm—George M. Thomas

[57] **CLAIM**

The ornamental design for an incision approximator, substantially as shown and described.

DESCRIPTION

FIG. 1 is a top perspective illustration of the incision approximator showing my new design; FIG. 2 is a side view thereof; FIG. 3 is a side view thereof, showing the side opposite from that illustrated in FIG. 2; FIG. 4 is an end view thereof; FIG. 5 is an end view thereof, showing the end opposite from that illustrated in FIG. 4; FIG. 6 is a top plan view thereof; and FIG. 7 is a bottom plan view thereof. The approximator is broken away to indicate indeterminate length.

References Cited

U.S. PATENT DOCUMENTS

| | | | |
|------------|---------|---------------------|-----------|
| D. 237,019 | 9/1975 | Wigmore et al. | D24/27 |
| D. 239,141 | 3/1976 | Ashcraft | D24/26 |
| 955,006 | 4/1910 | Sparks | 128/20 |
| 1,006,052 | 10/1911 | Boffin | 128/303 R |
| 1,441,298 | 1/1923 | Pineiro | 128/334 |
| 2,642,862 | 6/1953 | Jackson | 128/20 |
| 3,098,232 | 7/1963 | Brown | 128/334 R |
| 3,131,448 | 5/1964 | Glatz | 24/350 |
| 3,283,557 | 11/1966 | Wood | 72/386 |
| 3,467,079 | 9/1969 | James | 128/20 |
| 3,577,516 | 5/1971 | Gould et al. | 424/46 |
| 3,840,014 | 10/1974 | Ling et al. | 128/303 R |

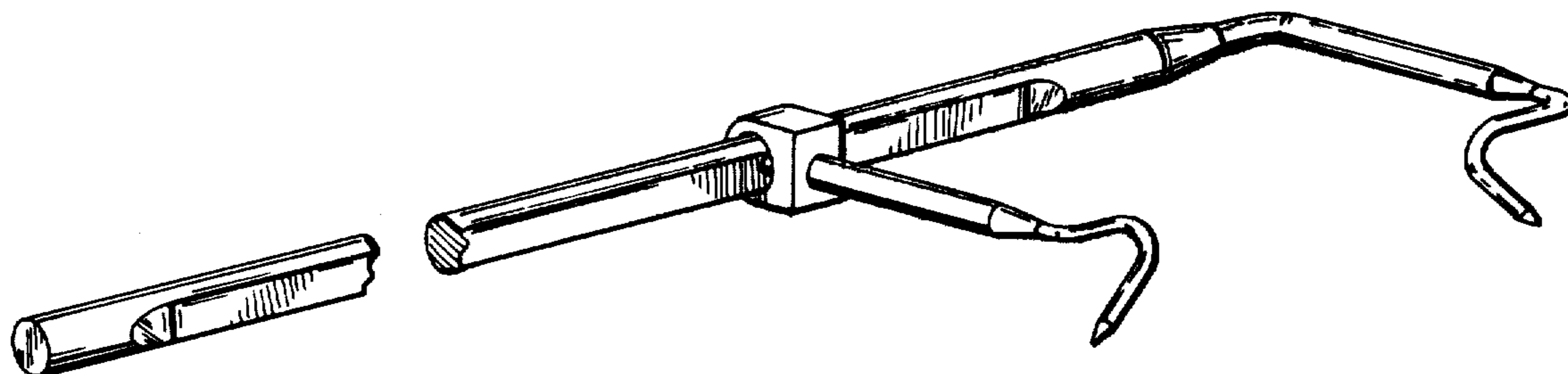


Fig. 1

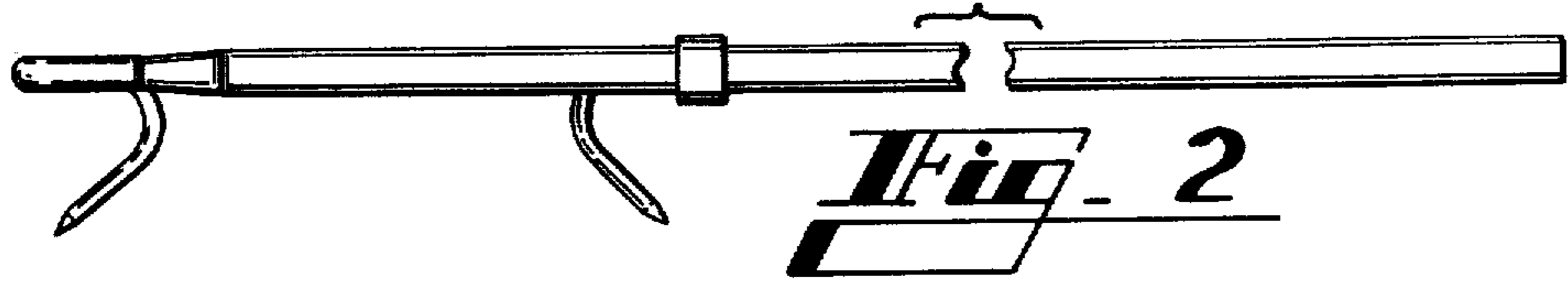
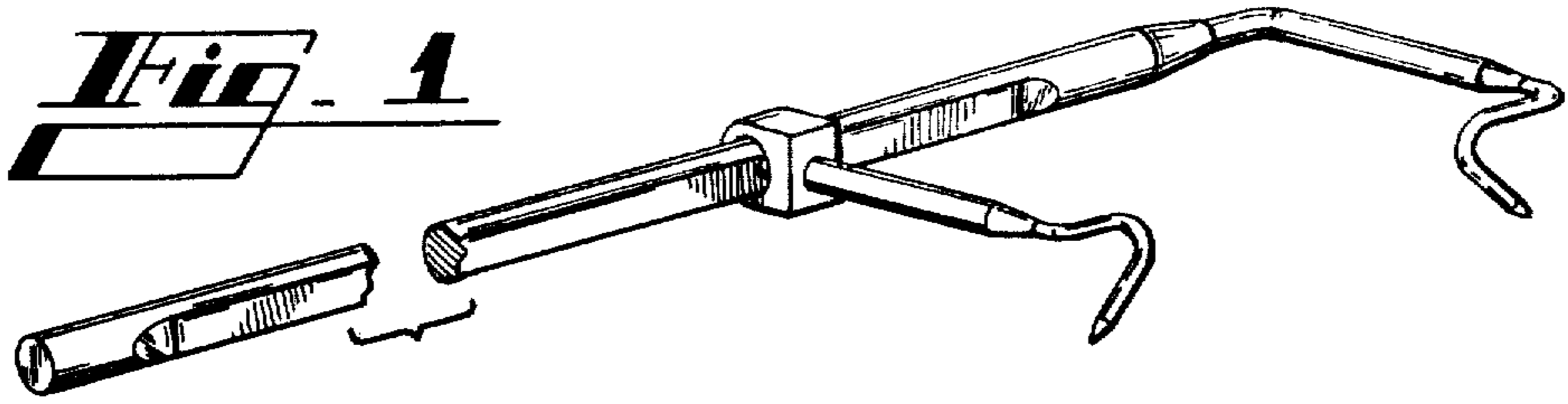


Fig. 2

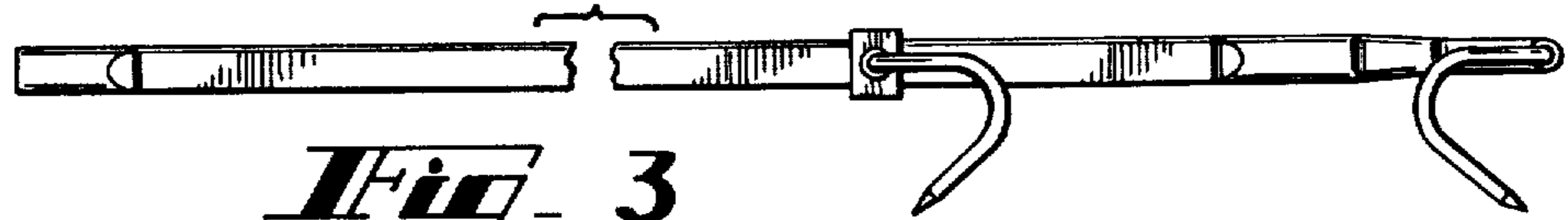


Fig. 3

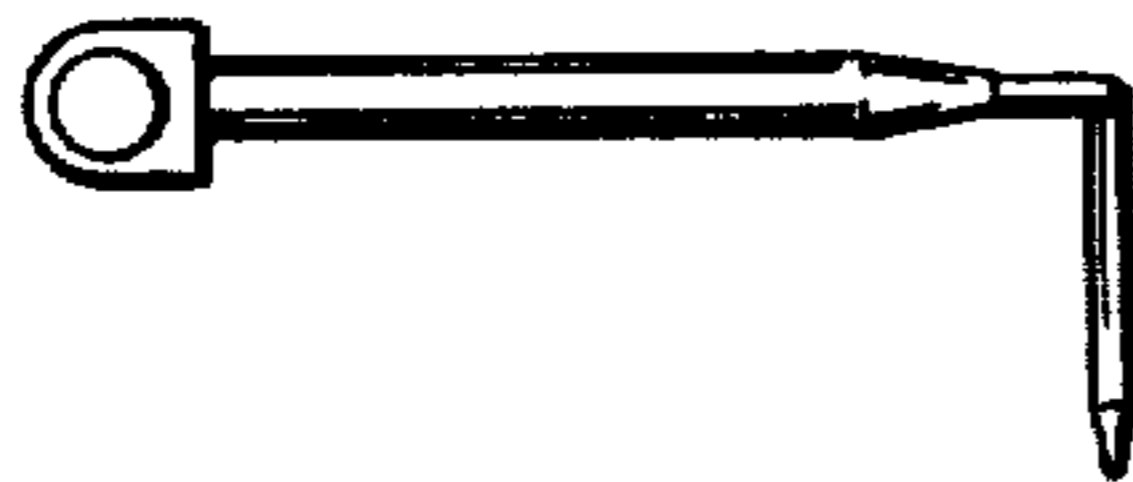


Fig. 4

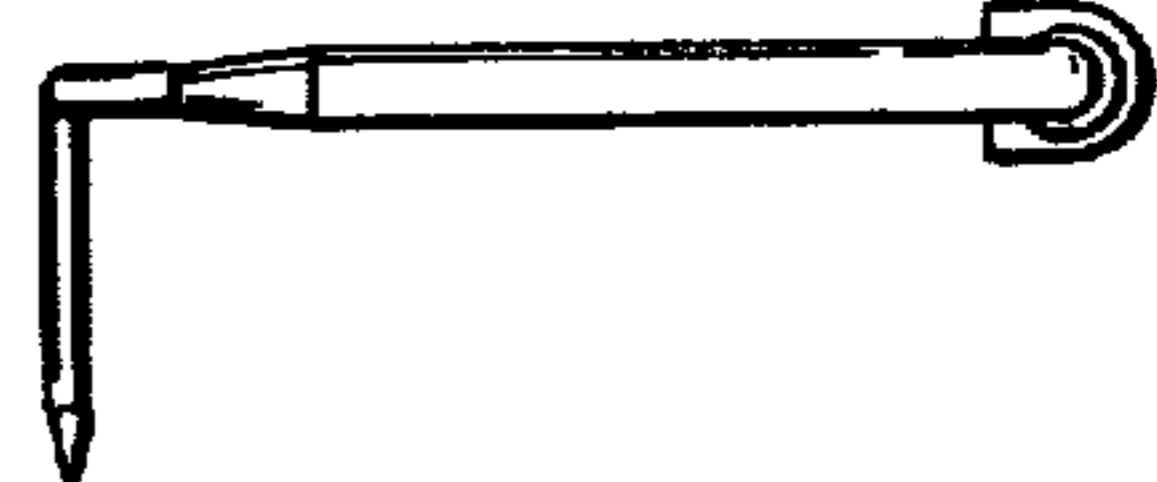


Fig. 5

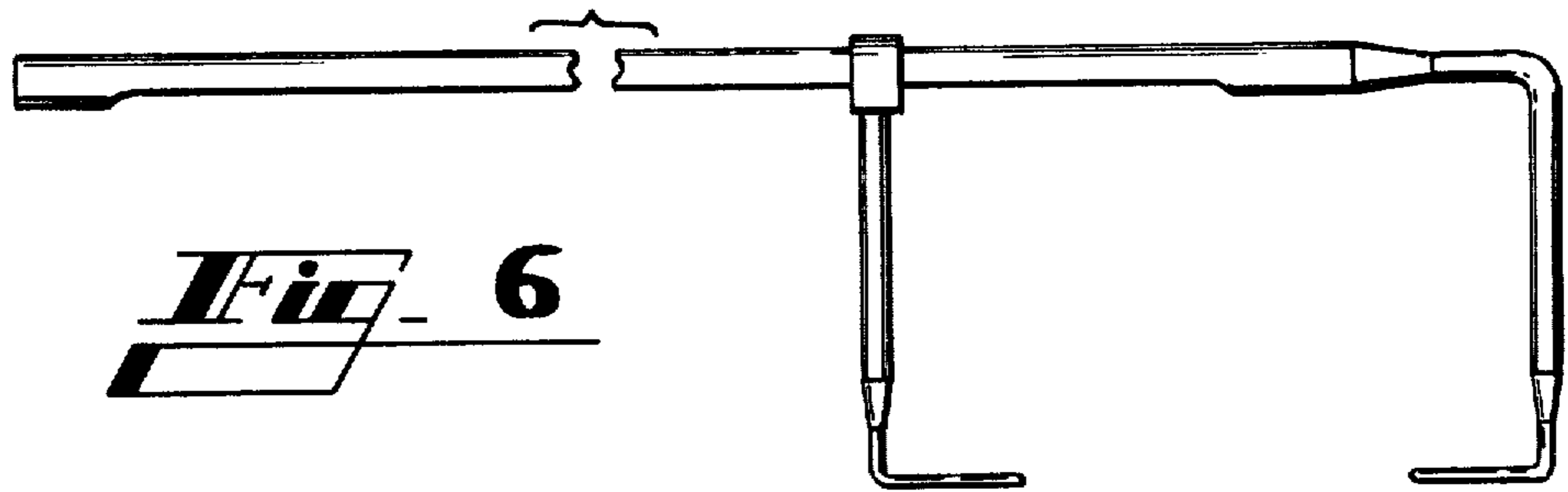


Fig. 6

Fig. 7

