

[54] ENDOSCOPE

[75] Inventor: Koichiro Ishiwara, Hachioji, Japan

[73] Assignee: Olympus Optical Company Ltd., Tokyo, Japan

[\*\*] Term: 14 Years

[21] Appl. No.: 220,164

[22] Filed: Dec. 24, 1980

[30] Foreign Application Priority Data

Jul. 21, 1980 [JP] Japan ..... 55-29633

[51] Int. Cl. .... D24-02

[52] U.S. Cl. .... D24/18; D24/17

[58] Field of Search ..... 128/4-8; D24/8, 17, 18, 23

[56] References Cited

U.S. PATENT DOCUMENTS

- D. 177,883 5/1956 Streifeneder ..... D24/18
- D. 248,664 7/1978 Takahashi ..... D24/18
- D. 251,609 4/1979 Cawood, Jr. .... D24/18

- 3,871,365 3/1975 Chikama ..... 128/5
- 4,178,920 12/1979 Cawood, Jr. et al. .... 128/4
- 4,273,111 6/1981 Tsukaya ..... 128/6
- 4,286,585 9/1981 Ogawa ..... 128/6

Primary Examiner—Bernard Ansher  
Attorney, Agent, or Firm—Weinstein & Sutton

[57] CLAIM

The ornamental design for an endoscope, as shown and described.

DESCRIPTION

FIG. 1 is a front, right side and plan perspective view of an endoscope, showing my new design;  
 FIG. 2 is a bottom, left side and rear perspective view thereof;  
 FIG. 3 is a front view thereof;  
 FIG. 4 is a rear view thereof;  
 FIG. 5 is a left side view thereof;  
 FIG. 6 is a right side view thereof;  
 FIG. 7 is a top plan view thereof; and  
 FIG. 8 is a bottom view thereof.  
 Portions of the endoscope tube have been broken away for convenience of illustration only.

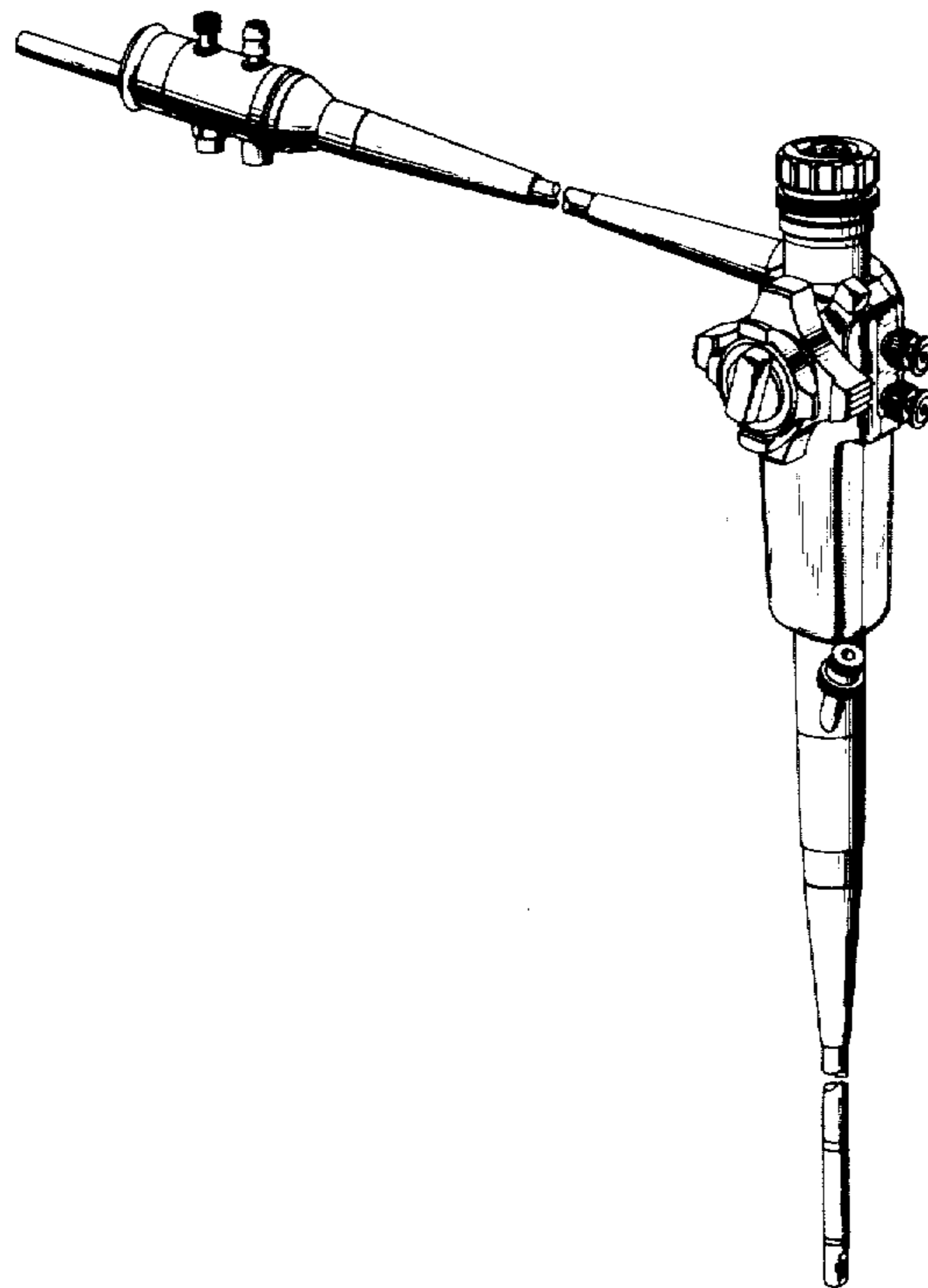


FIG. 1

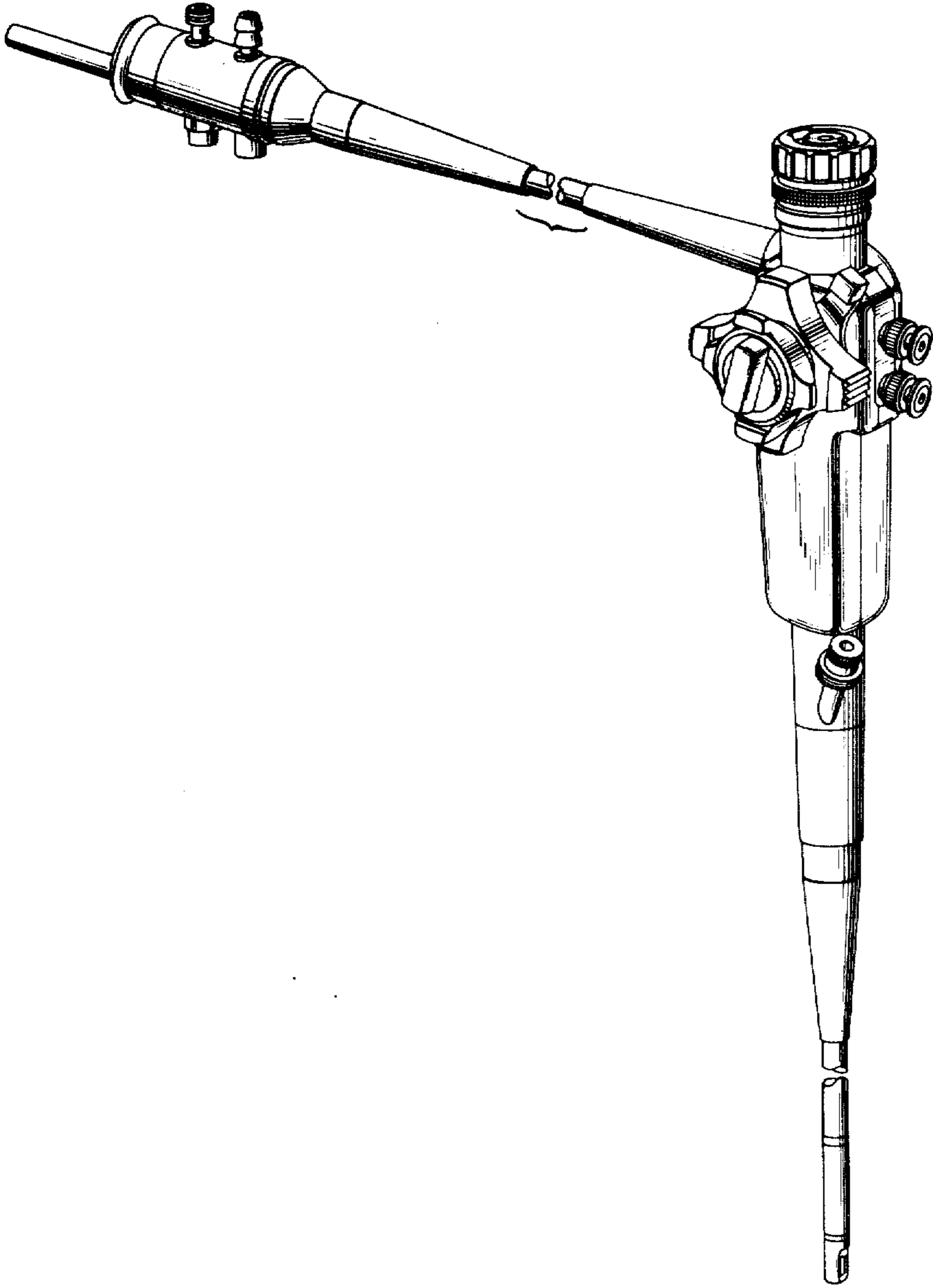


FIG. 2

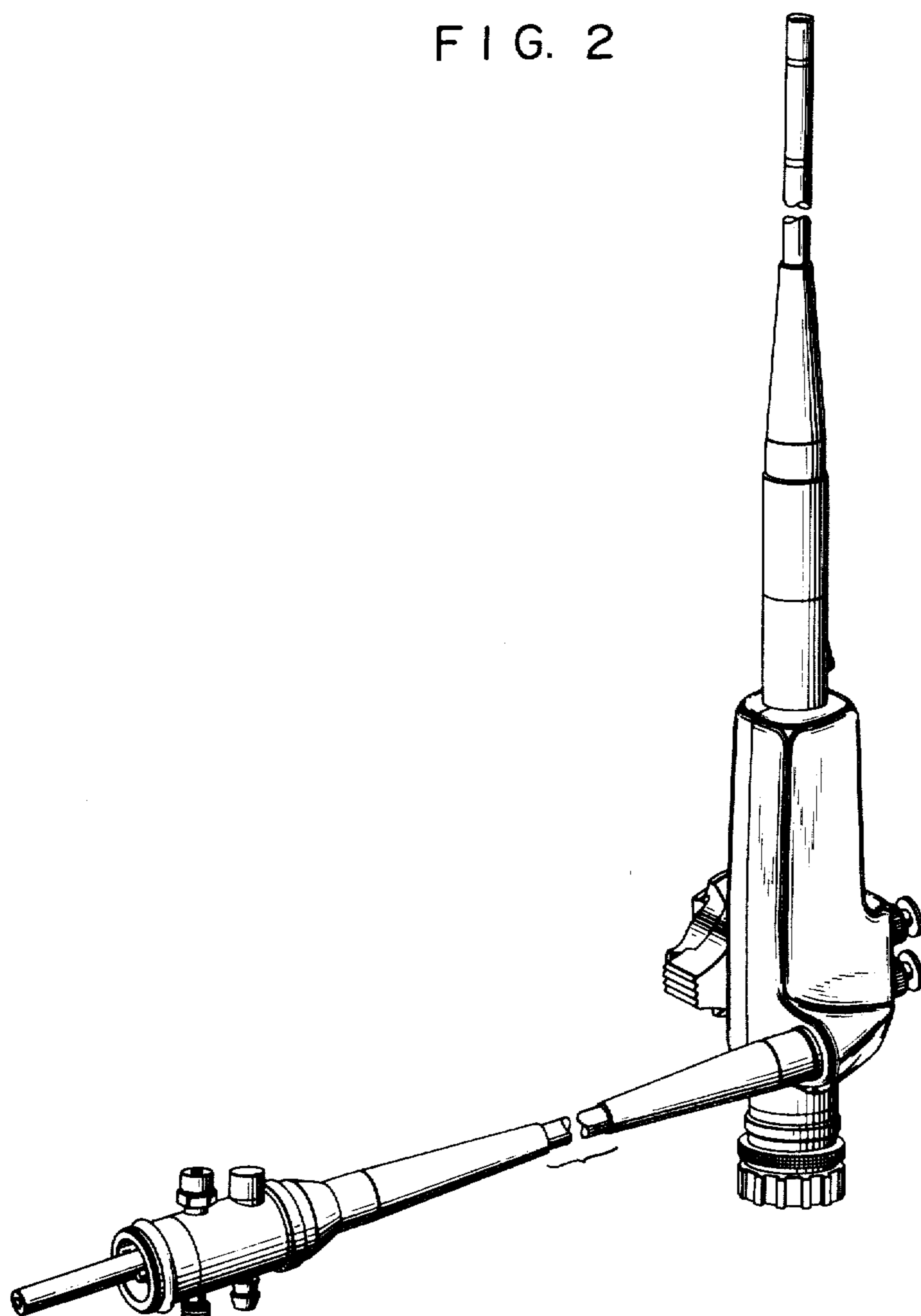


FIG. 3

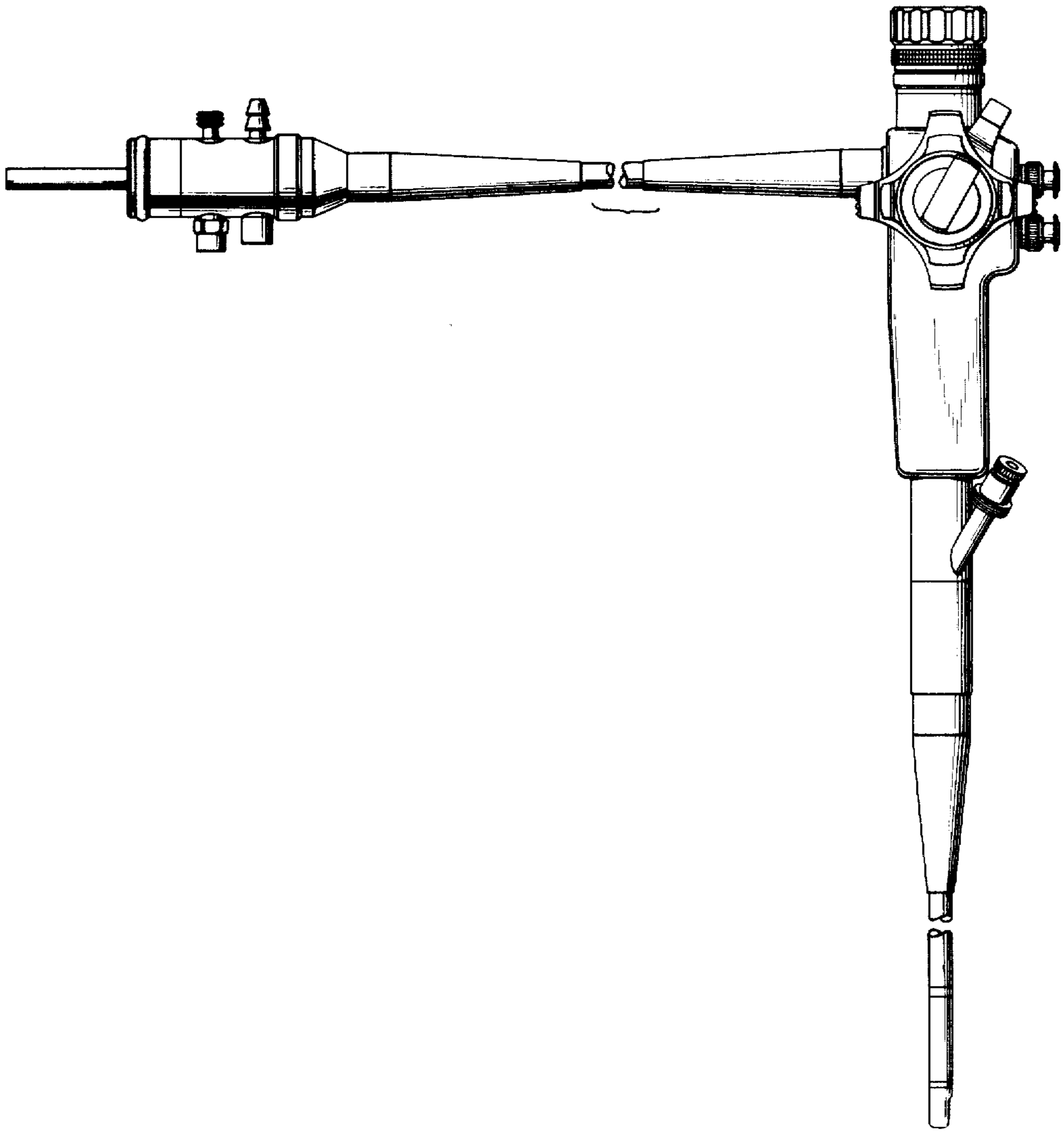


FIG. 4

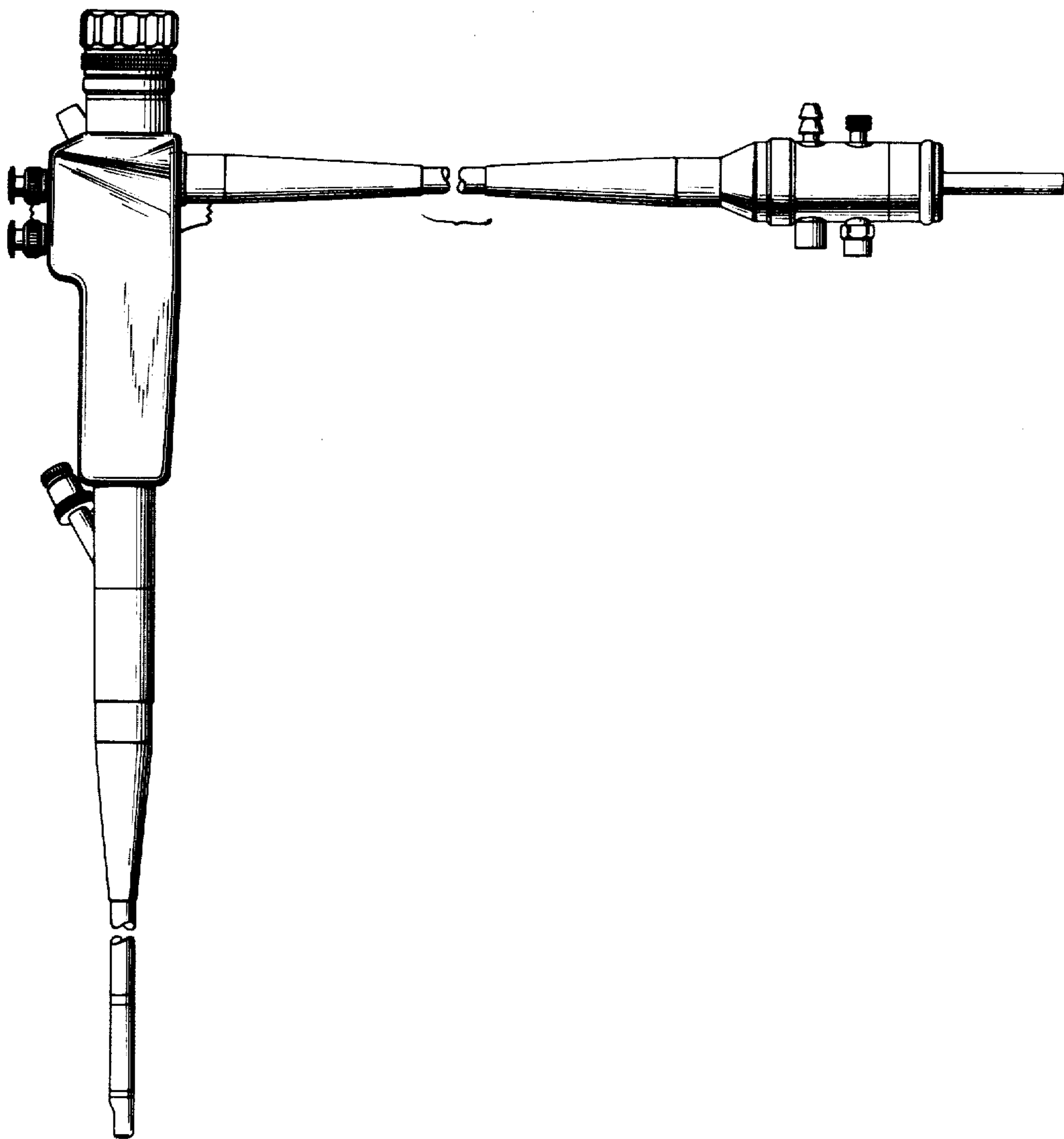


FIG. 5

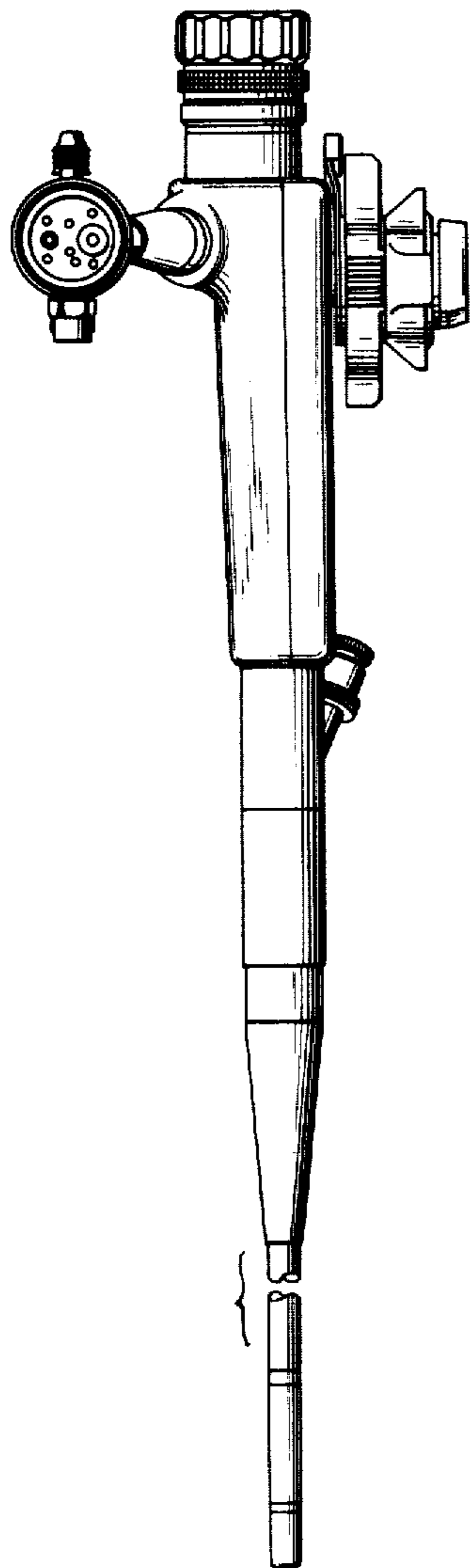


FIG. 6

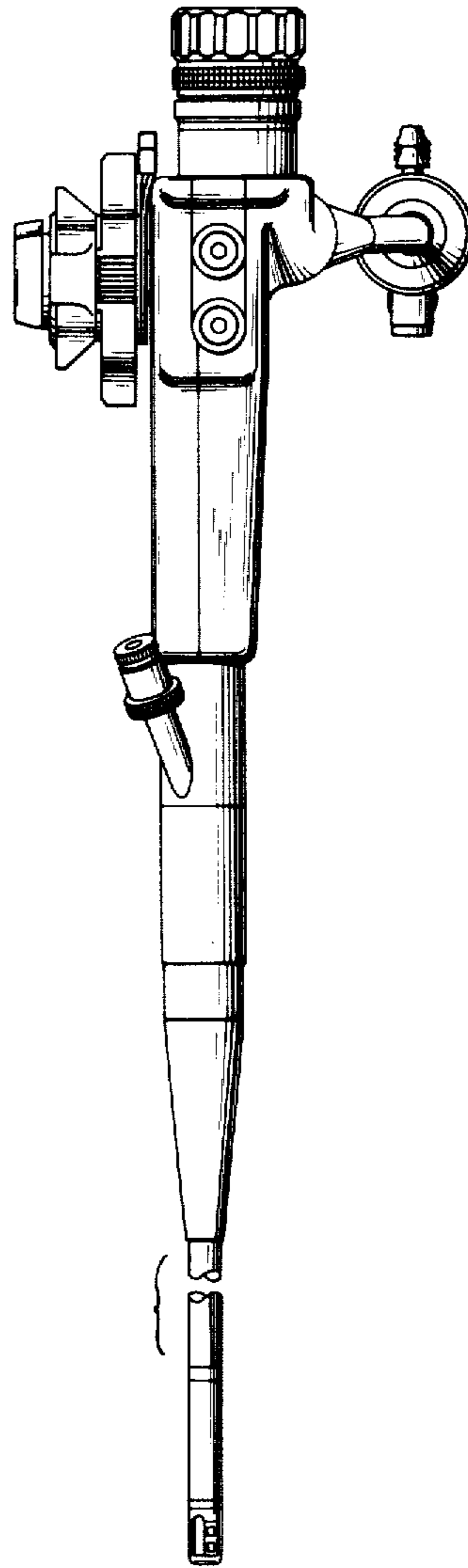


FIG. 7

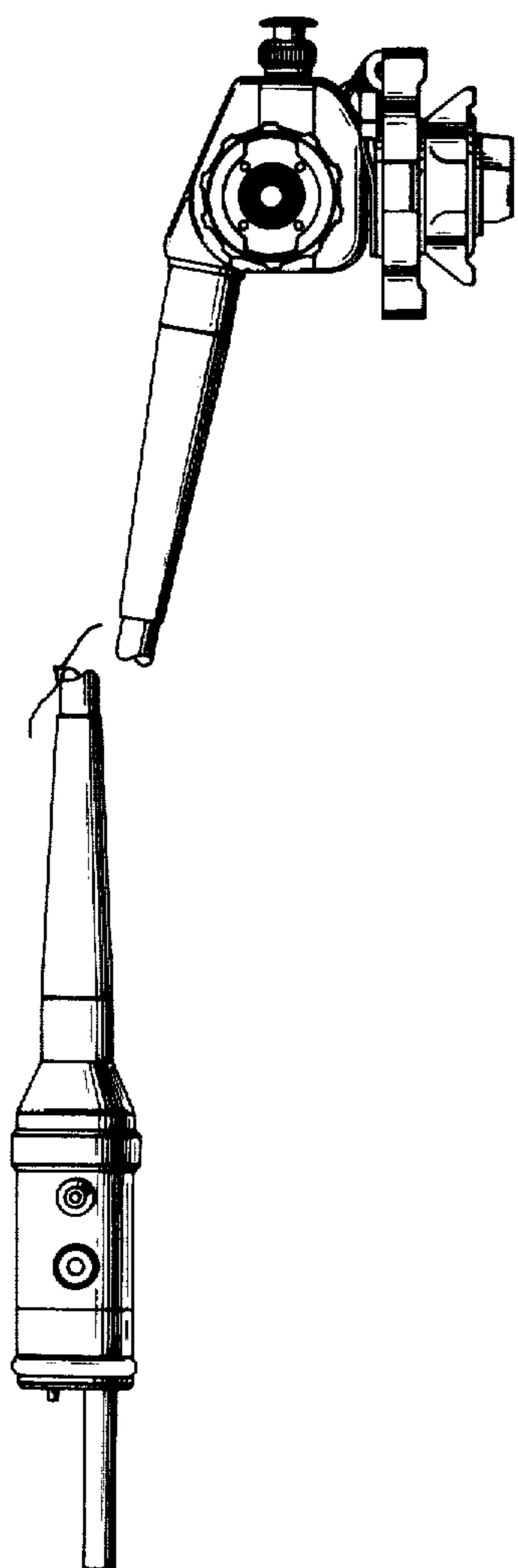


FIG. 8

