

[54] SCOPE MOUNT FOR A RIFLE

[76] Inventor: Daniel L. Bechtel, P.P. Box 11281, Fort Worth, Tex. 76109

[**] Term: 14 Years

[21] Appl. No.: 240,588

[22] Filed: Mar. 4, 1981

[51] Int. Cl. D22-05
[52] U.S. Cl. D22/7
[58] Field of Search D22/7; 248/205.1; 33/259

3,222,022 12/1965 Akin, Jr. 248/205.1
3,724,800 4/1973 Rubin et al. 248/205.1

Primary Examiner—A. Hugo Word
Attorney, Agent, or Firm—Charles W. McHugh

[57] CLAIM

The ornamental design for a scope mount for a rifle, as shown and described.

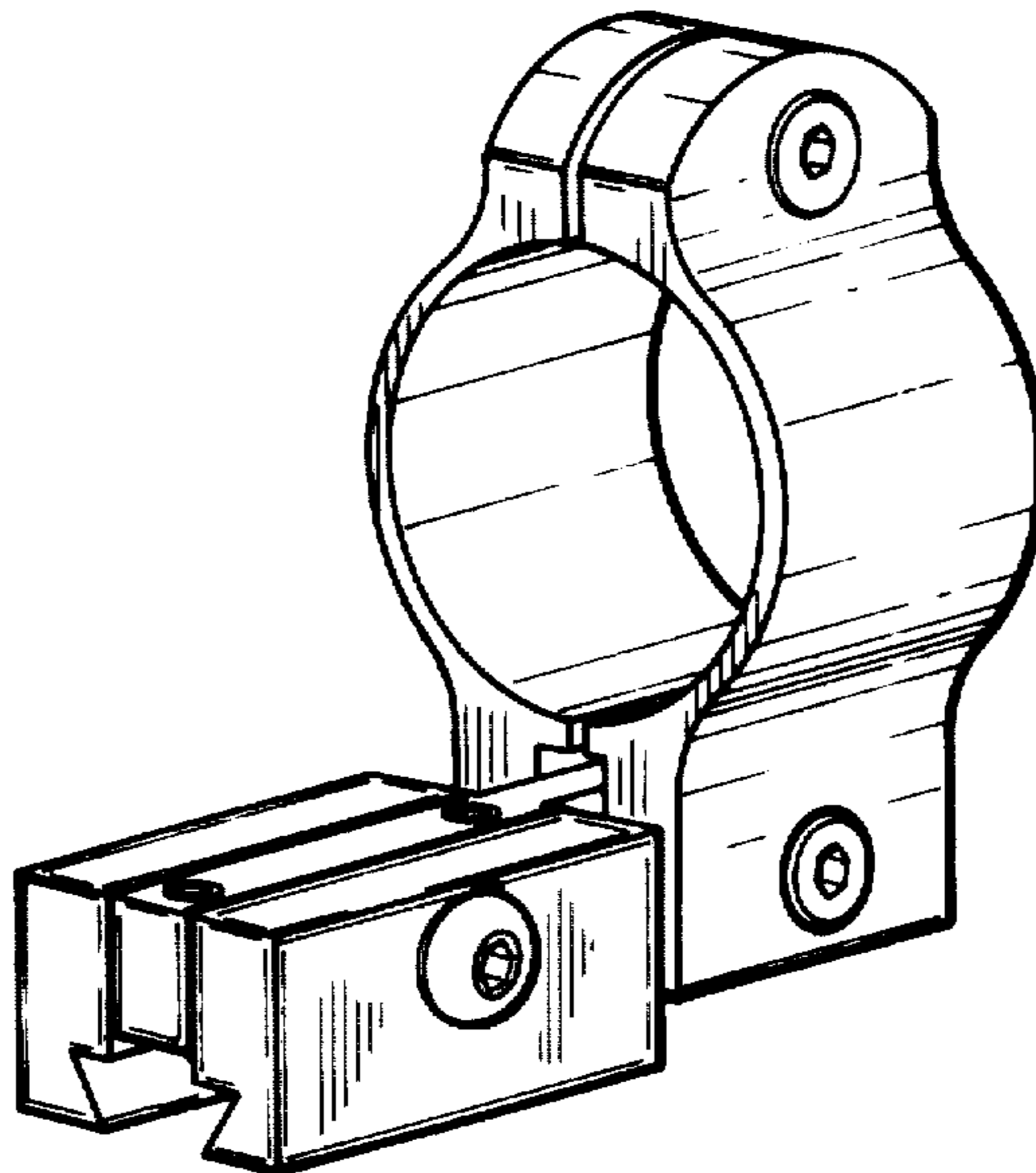
DESCRIPTION

FIG. 1 is a perspective view of the new scope mount for a rifle, showing my new design;
FIG. 2 is a rear elevational view thereof;
FIG. 3 is a front elevational view thereof;
FIGS. 4 and 5 are elevational side views thereof, with the two views differing only in which end of a connecting bolt is visible;
FIG. 6 is a top view thereof; and
FIG. 7 is a bottom view thereof.

[56] References Cited

U.S. PATENT DOCUMENTS

D. 246,983 1/1978 Bechtel D22/7
D. 251,672 4/1979 Bechtel D22/7



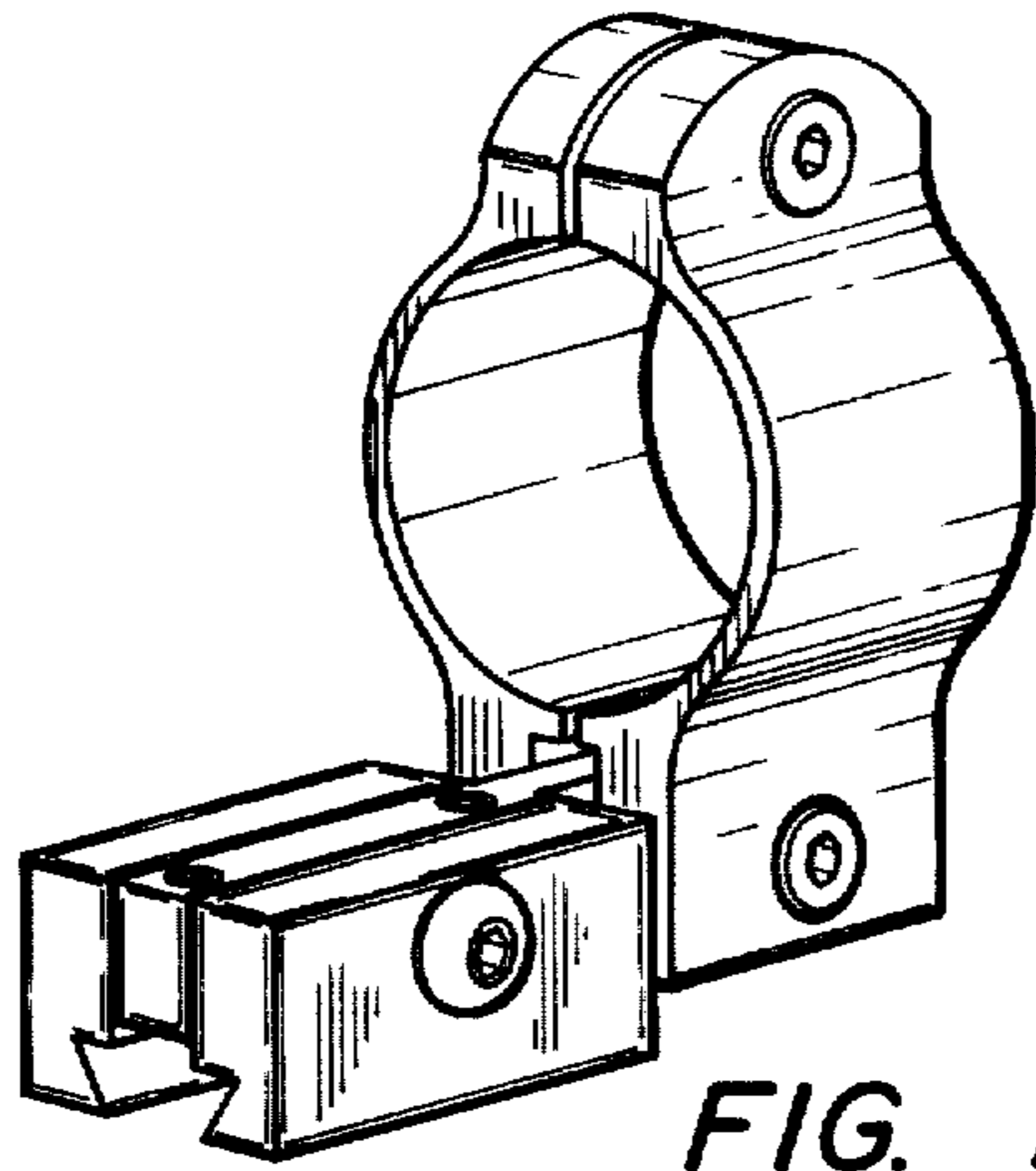


FIG. 1

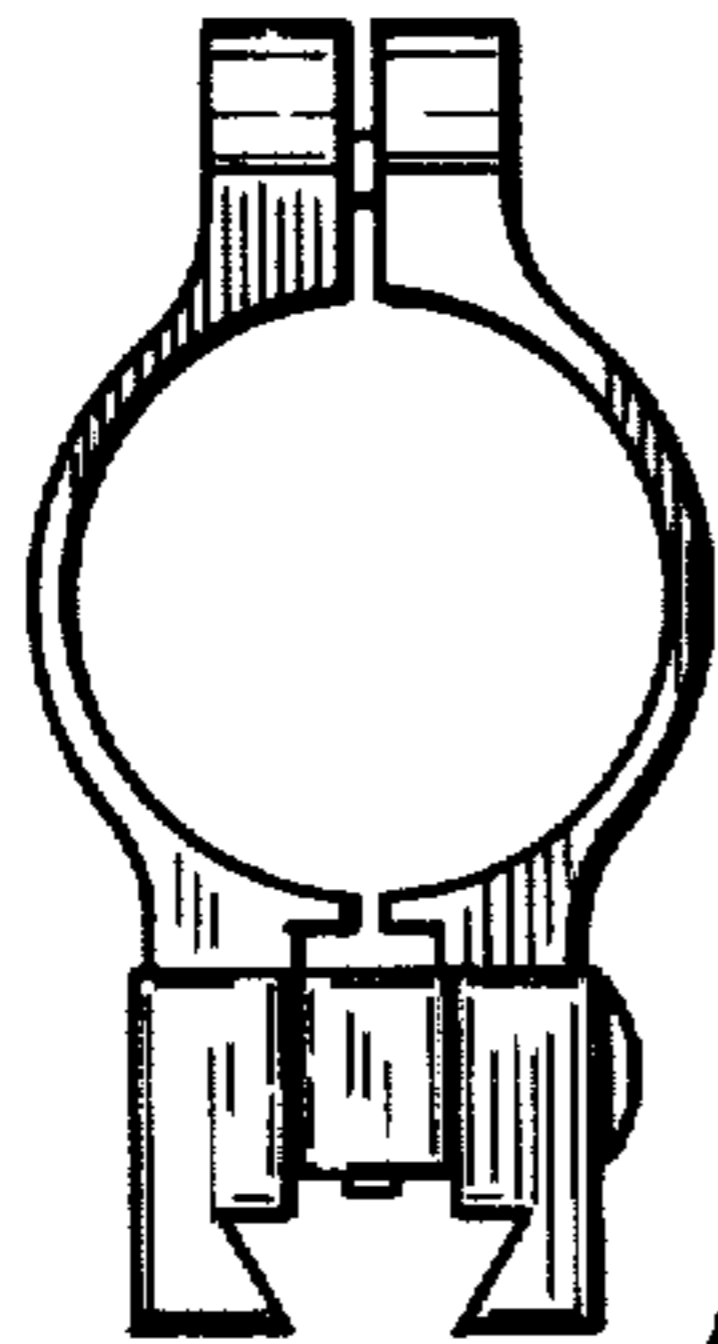


FIG. 2

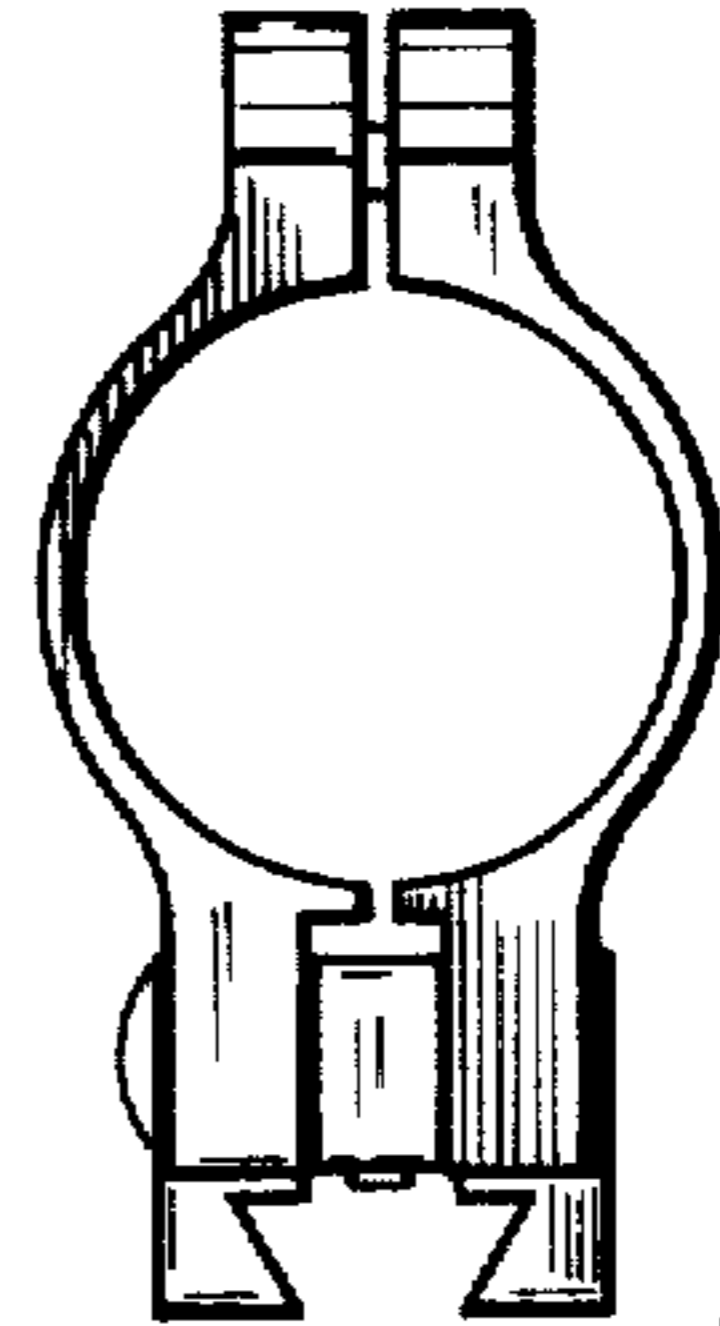


FIG. 3

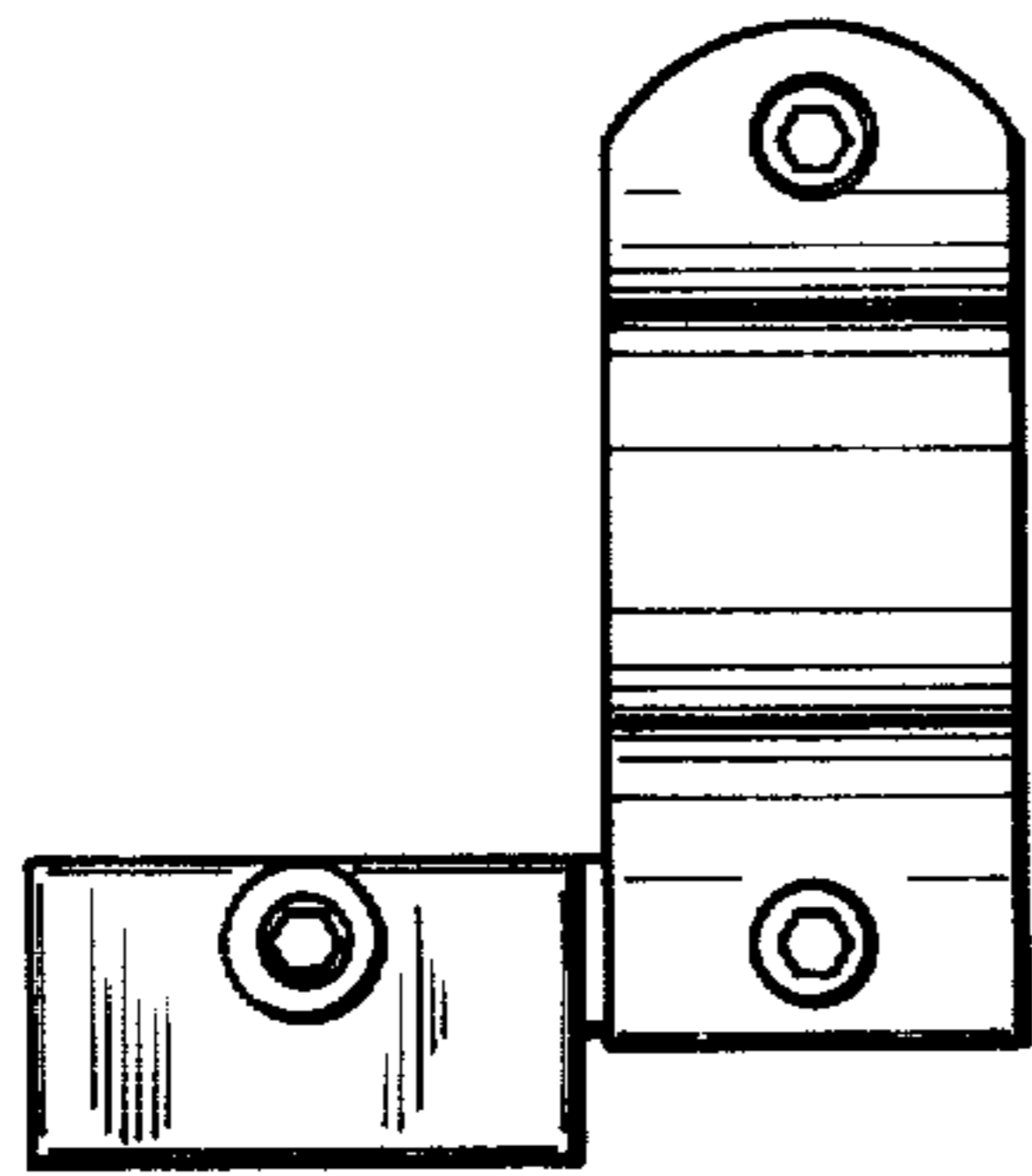


FIG. 4

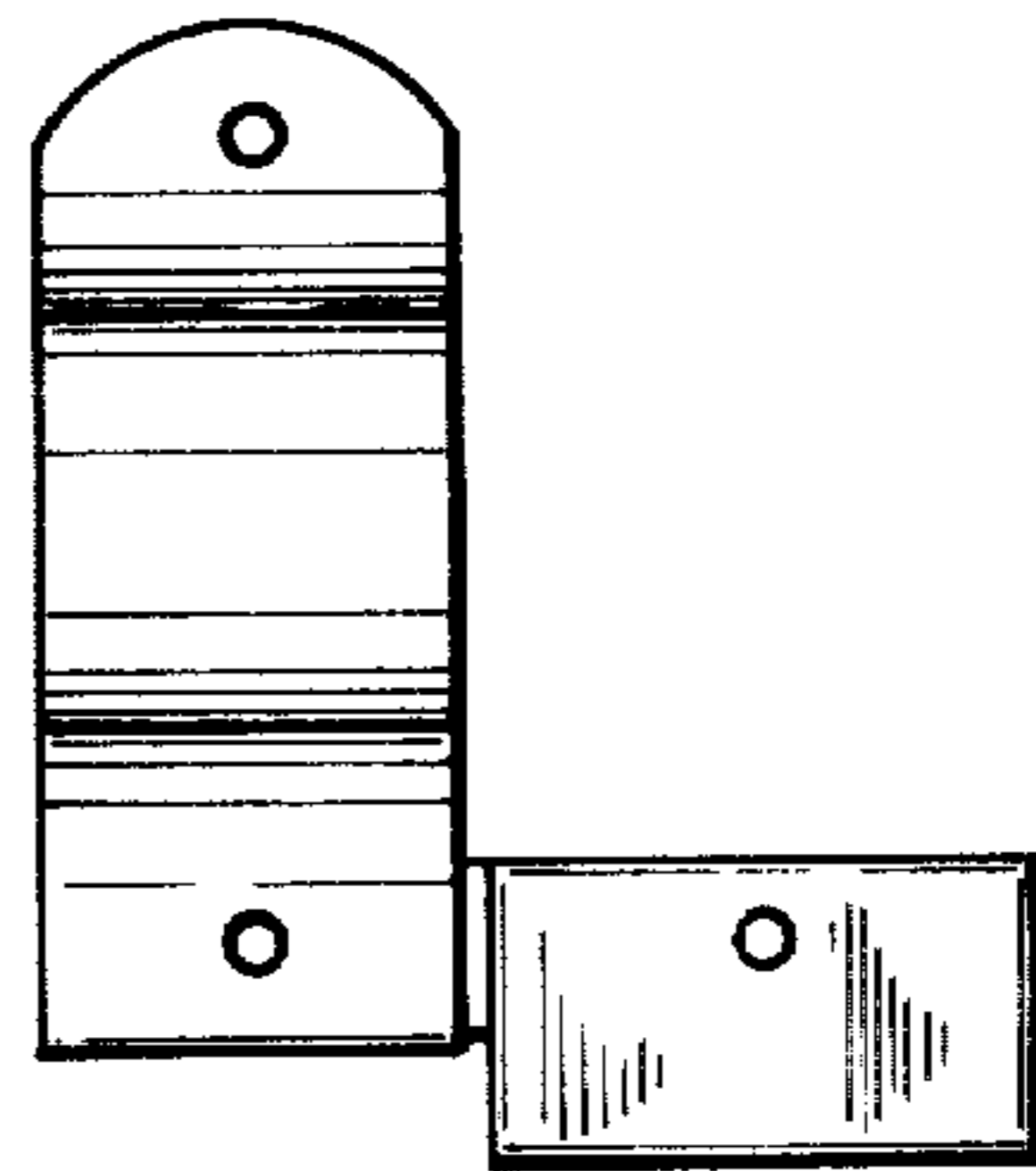


FIG. 5

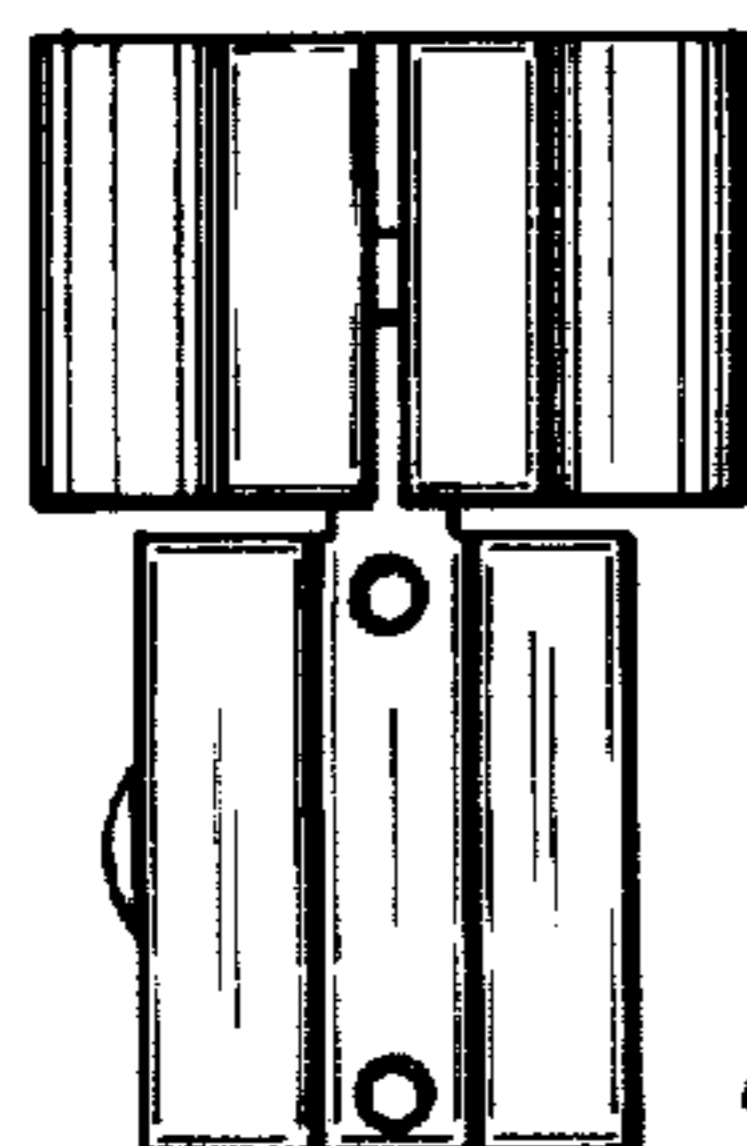


FIG. 6

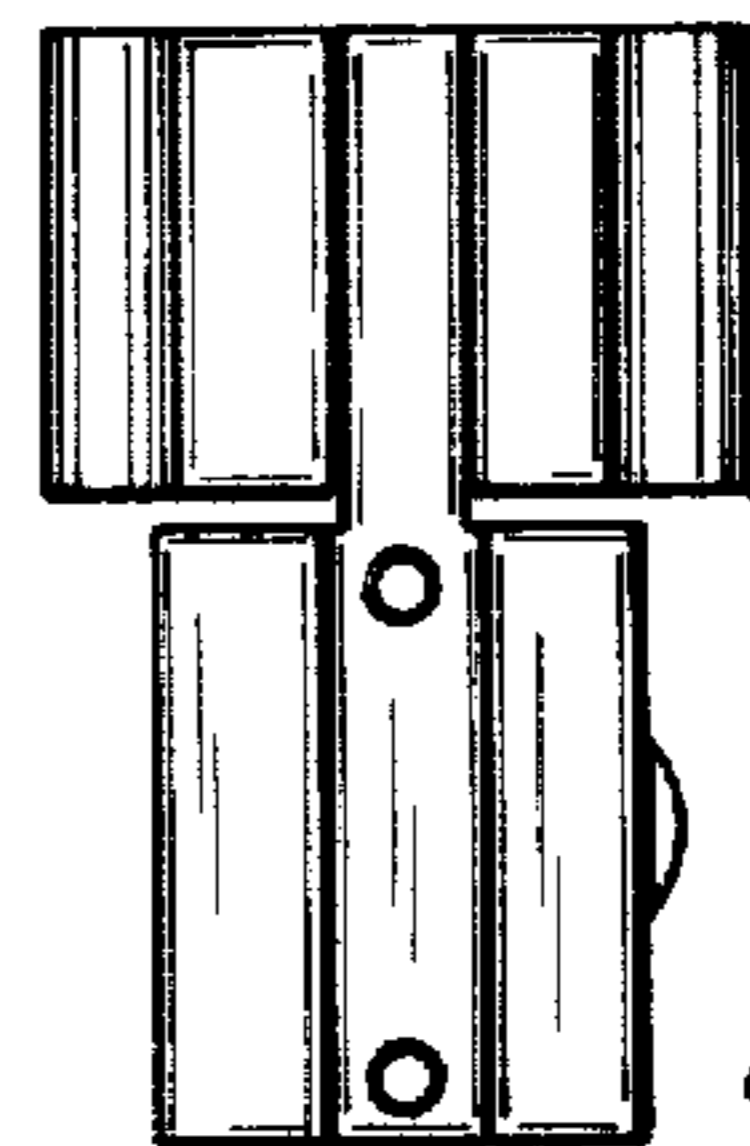


FIG. 7