

[54] SCOPE MOUNT FOR A RIFLE  
 [76] Inventor: Daniel L. Bechtel, P.O. Box 11281,  
 Fort Worth, Tex. 76109  
 [\*\*] Term: 14 Years  
 [21] Appl. No.: 240,587  
 [22] Filed: Mar. 4, 1981  
 [51] Int. Cl. .... D22-05  
 [52] U.S. Cl. .... D22/7  
 [58] Field of Search ..... D22/7; 248/205.1;  
 33/259

3,222,022 12/1965 Akin, Jr. .... 248/205.1  
 3,724,800 4/1973 Rubin et al. .... 248/205.1

Primary Examiner—A. Hugo Word  
 Attorney, Agent, or Firm—Charles W. McHugh

[57] CLAIM

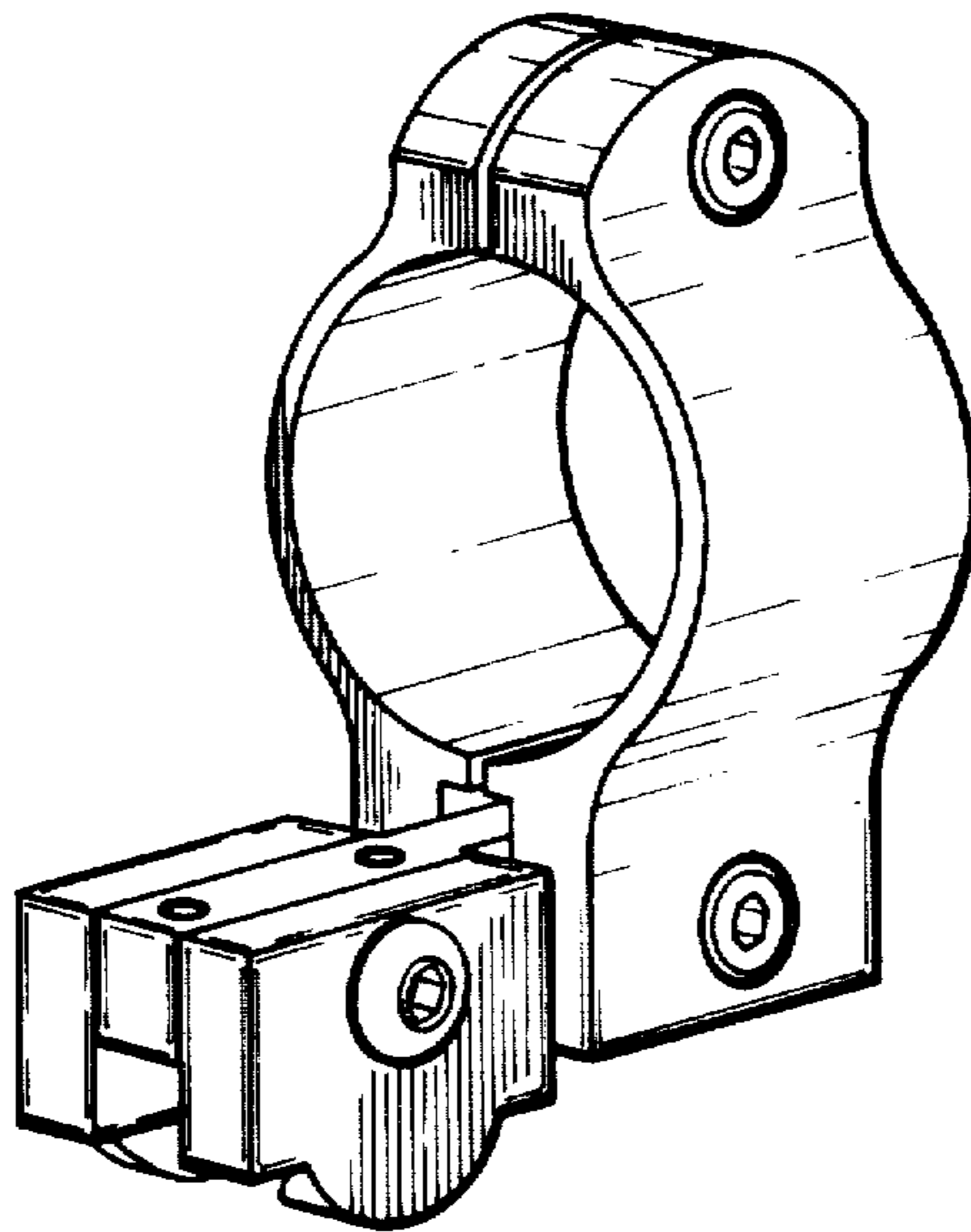
The ornamental design for a scope mount for a rifle, as shown and described.

DESCRIPTION

FIG. 1 is a perspective view of the new scope mount for a rifle, showing my new design;  
 FIG. 2 is a rear elevational view thereof;  
 FIG. 3 is a front elevational view thereof;  
 FIGS. 4 and 5 are elevational side views thereof, with the two views differing only in which end of a connecting bolt is visible;  
 FIG. 6 is a top view thereof; and  
 FIG. 7 is a bottom view thereof.

[56] References Cited  
 U.S. PATENT DOCUMENTS

D. 246,983 1/1978 Bechtel ..... D22/7  
 D. 251,672 4/1979 Bechtel ..... D22/7



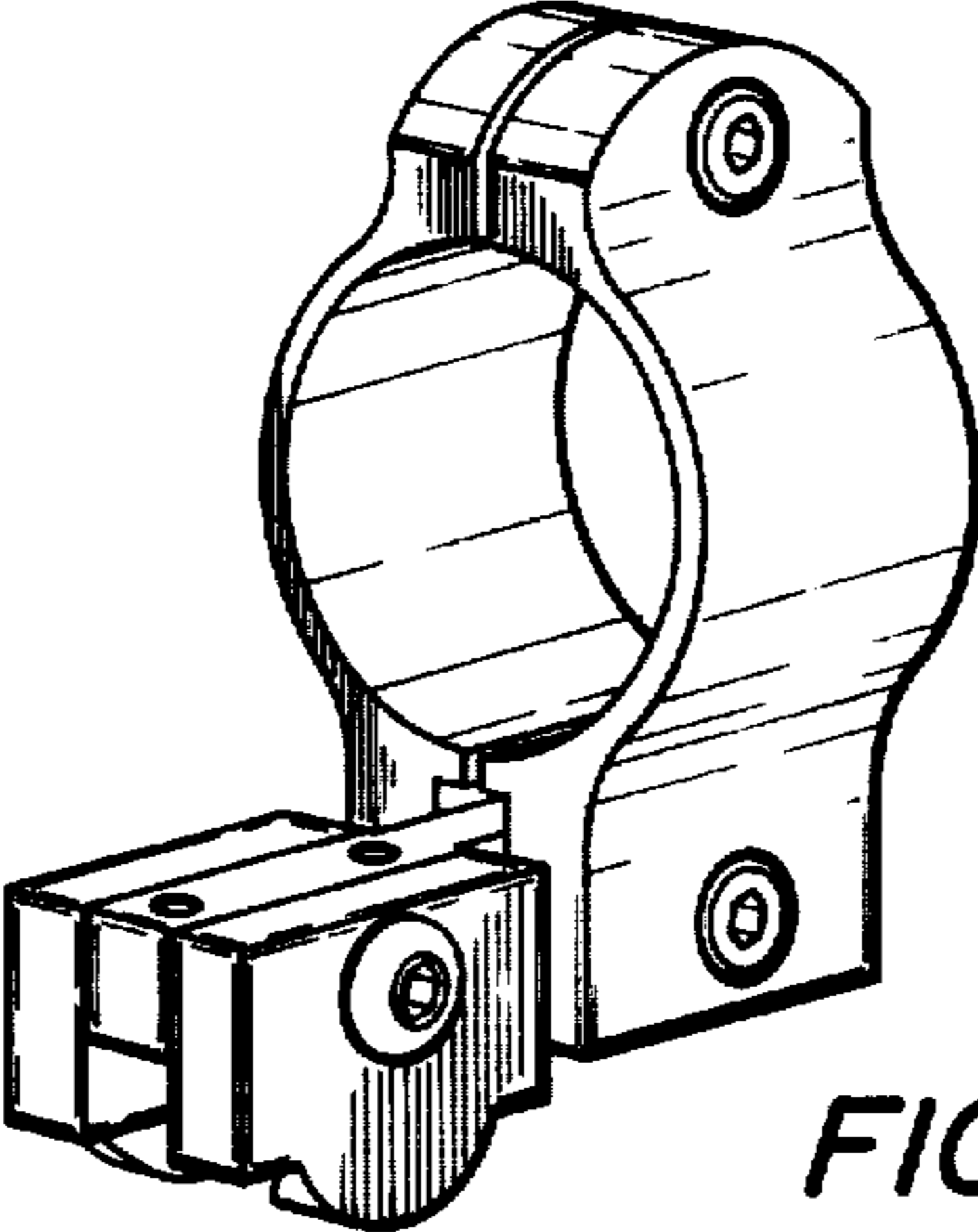


FIG. 1

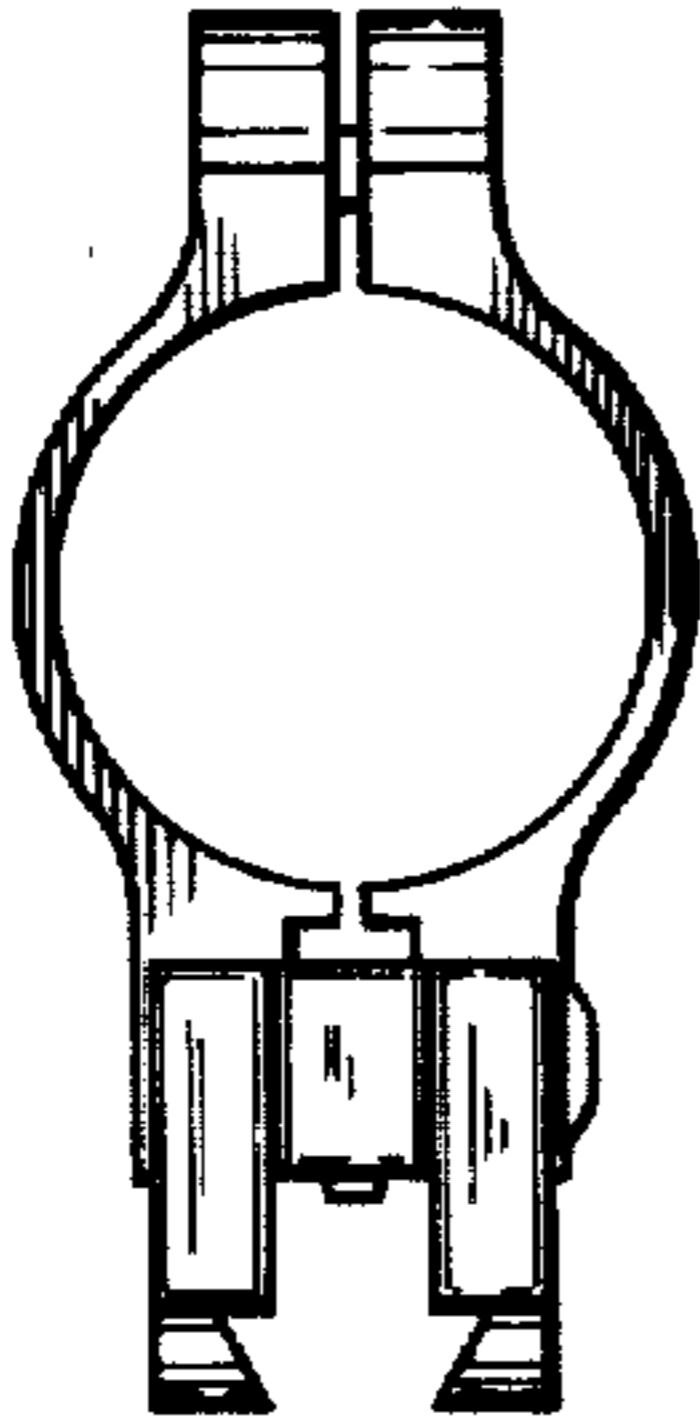


FIG. 2

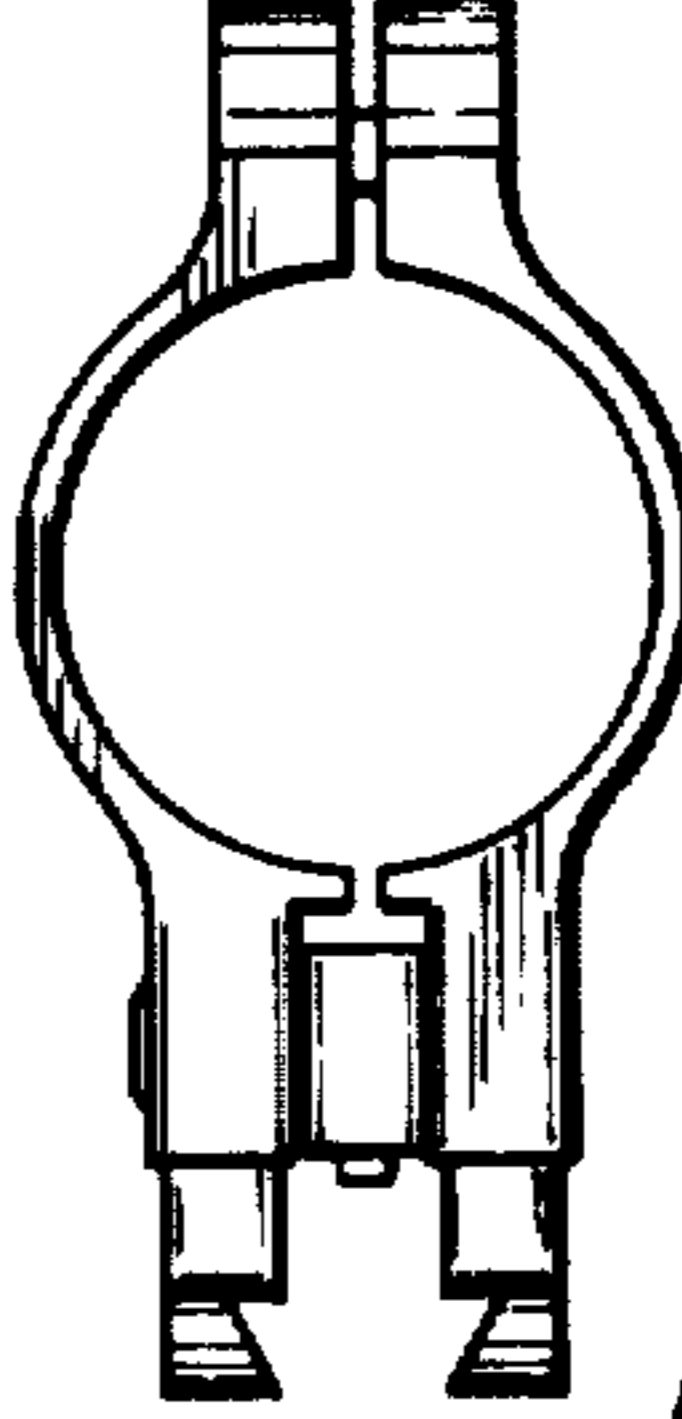


FIG. 3

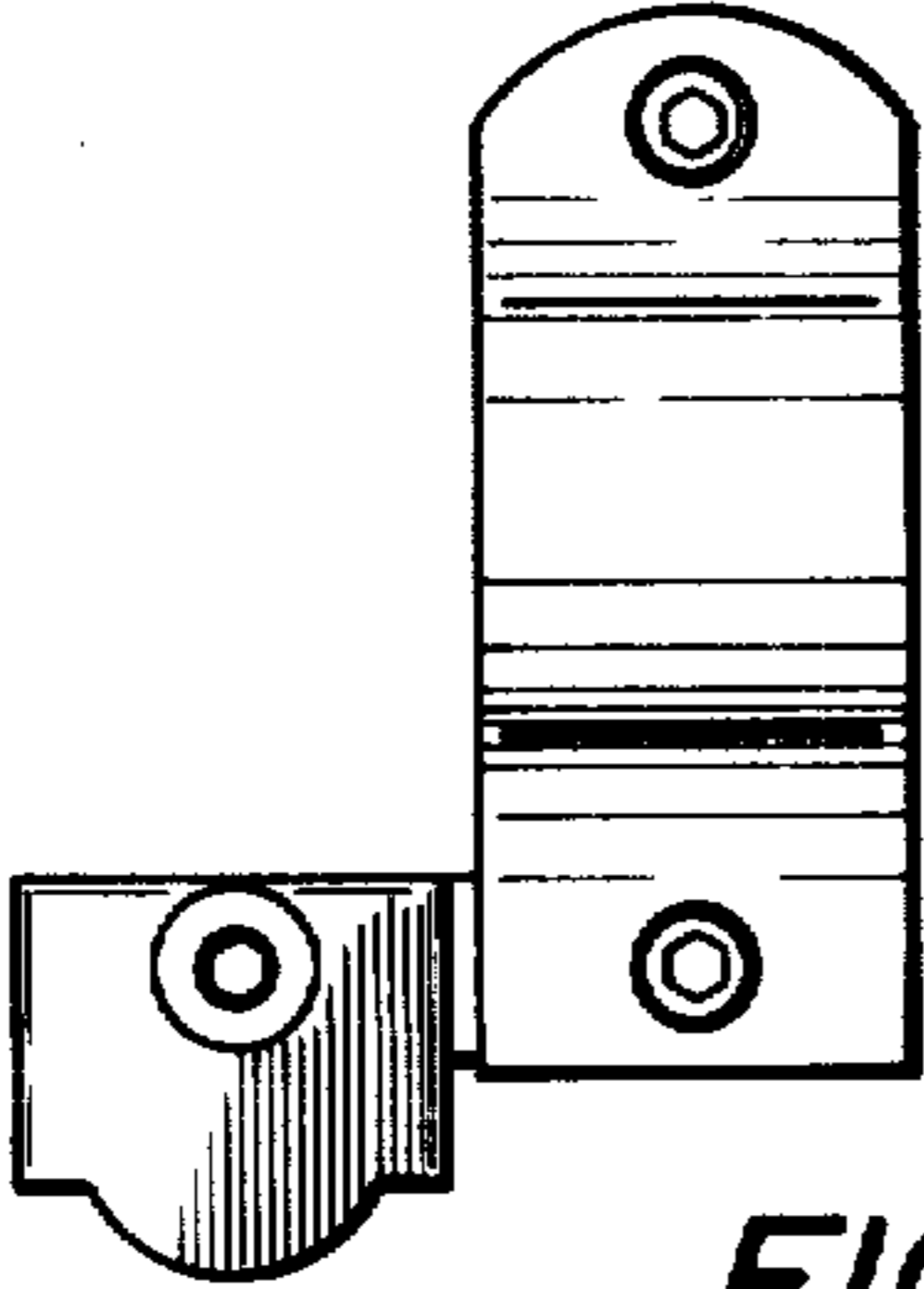


FIG. 4

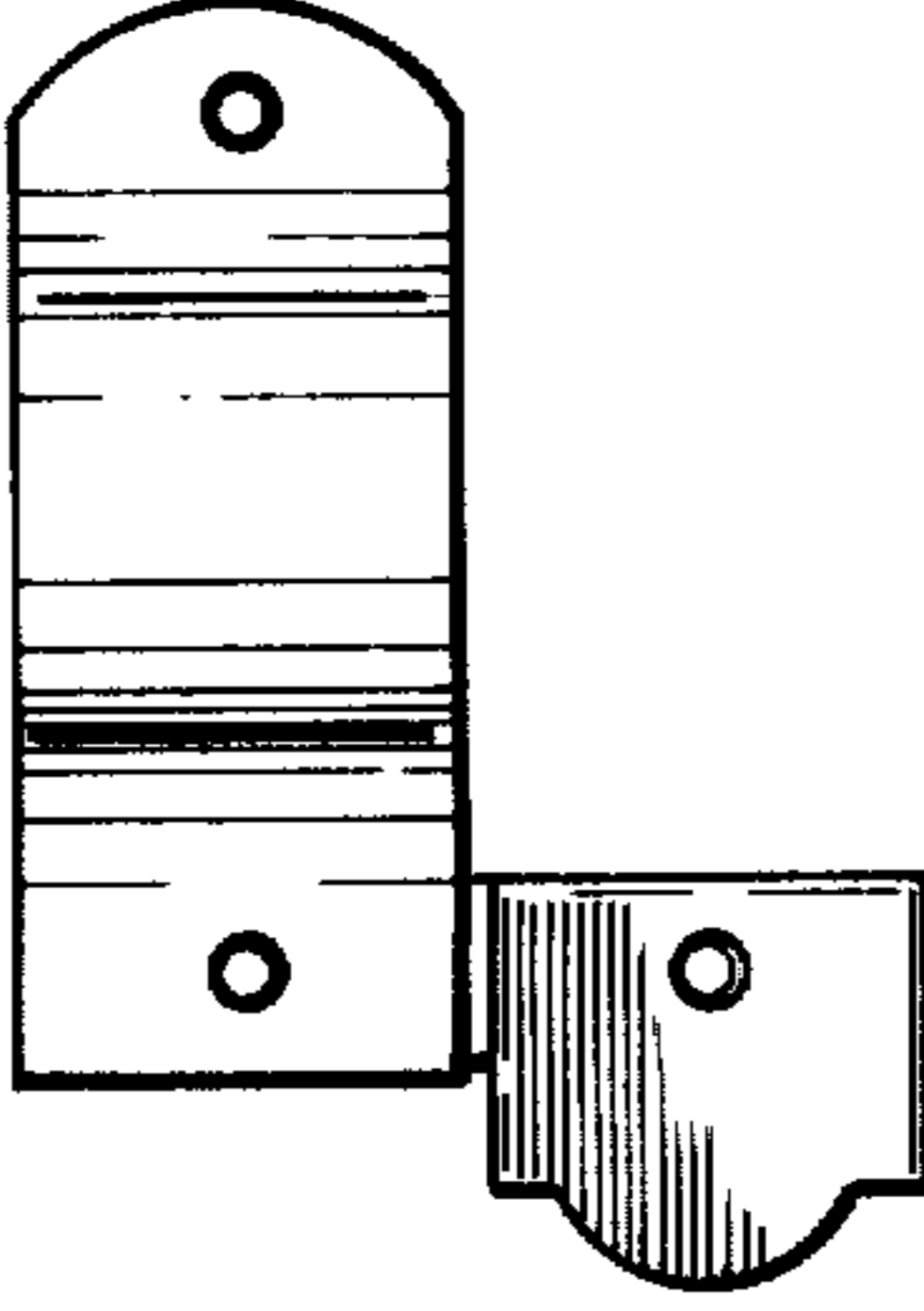


FIG. 5

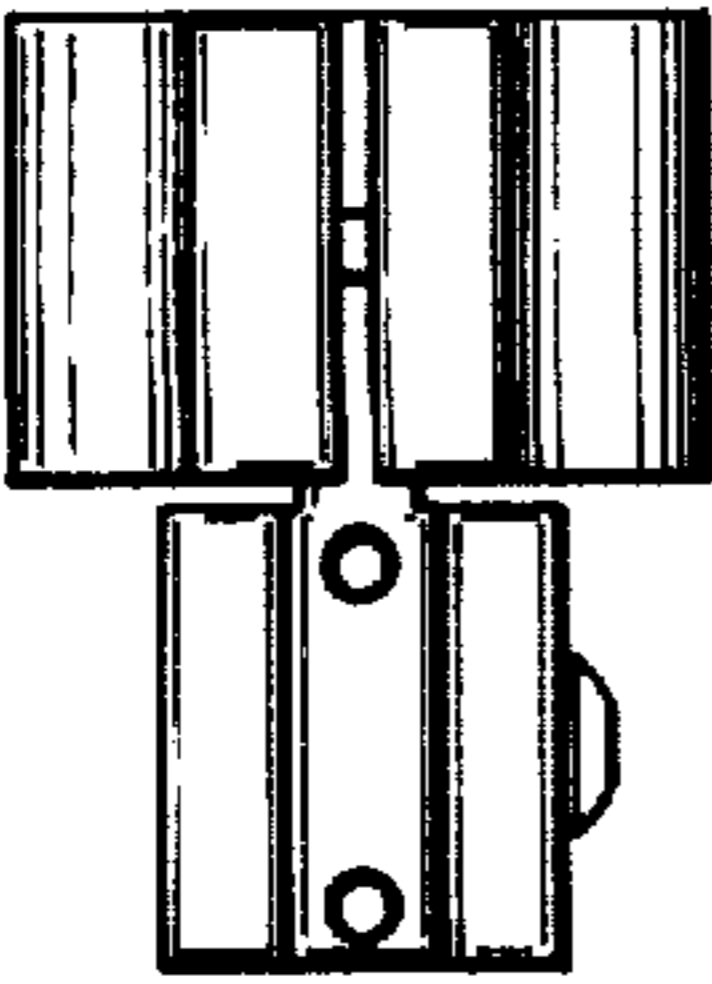


FIG. 6

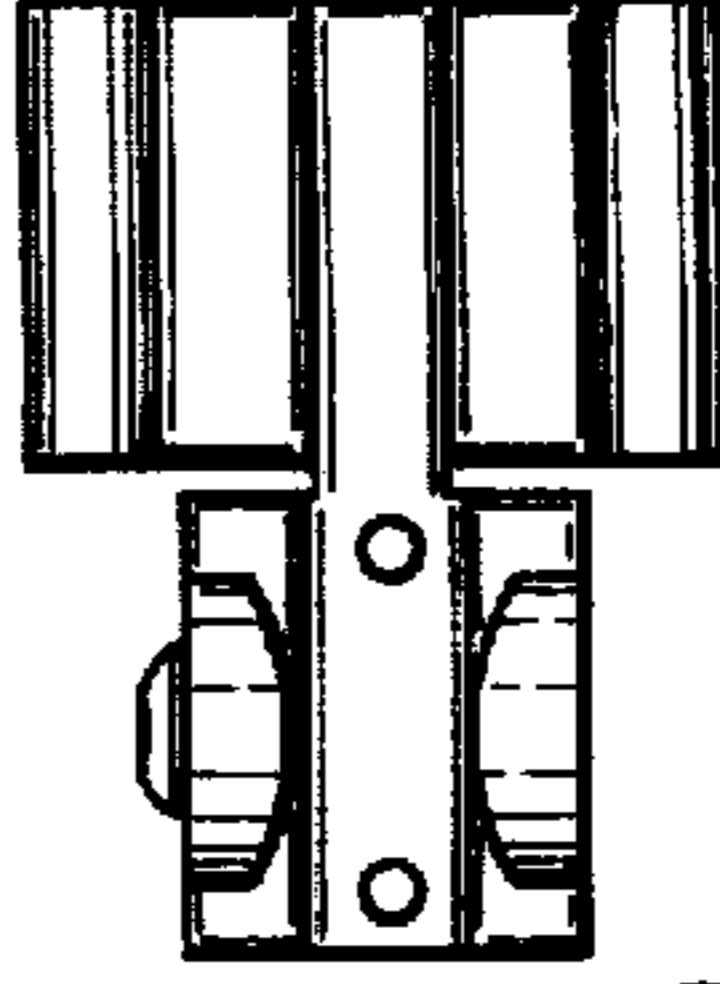


FIG. 7