

[54] **DESK TRAY FOR STATIONERY ARTICLES**

[76] Inventor: **Rino Pirovano**, Piazza Castello, 11, Milan, Italy

[**] Term: **14 Years**

[21] Appl. No.: **180,495**

[22] Filed: **Aug. 22, 1980**

[30] **Foreign Application Priority Data**

Mar. 24, 1980 [IT] Italy 21267/80[U]

[51] Int. Cl. **D19-02**

[52] U.S. Cl. **D19/75; D19/83**

[58] Field of Search **D19/75, 77, 81, 83, D19/92, 95, 100; 206/214; D6/85; 211/13, 60 R, 69.1, 69.2, 128**

[56]

References Cited

U.S. PATENT DOCUMENTS

D. 40,582	3/1910	Numan	D19/83
D. 43,155	10/1912	Numan	D19/75
D. 51,191	8/1917	Weeks	D19/79
D. 241,835	10/1976	Vriganaud	D19/75
D. 253,483	11/1979	Thuringer	D19/75

Primary Examiner—George P. Word
Attorney, Agent, or Firm—Steinberg & Raskin

[57]

CLAIM

The ornamental design for a desk tray for stationery articles, as shown and described.

DESCRIPTION

FIG. 1 is a perspective view of a desk tray for stationery articles showing my new design;
FIG. 2 is a reduced scale front elevational view thereof;
FIG. 3 is a top plan view thereof;
FIG. 4 is an inverted rear elevational view thereof;
FIG. 5 is a bottom plan view thereof; and
FIG. 6 is a left side elevational view thereof.

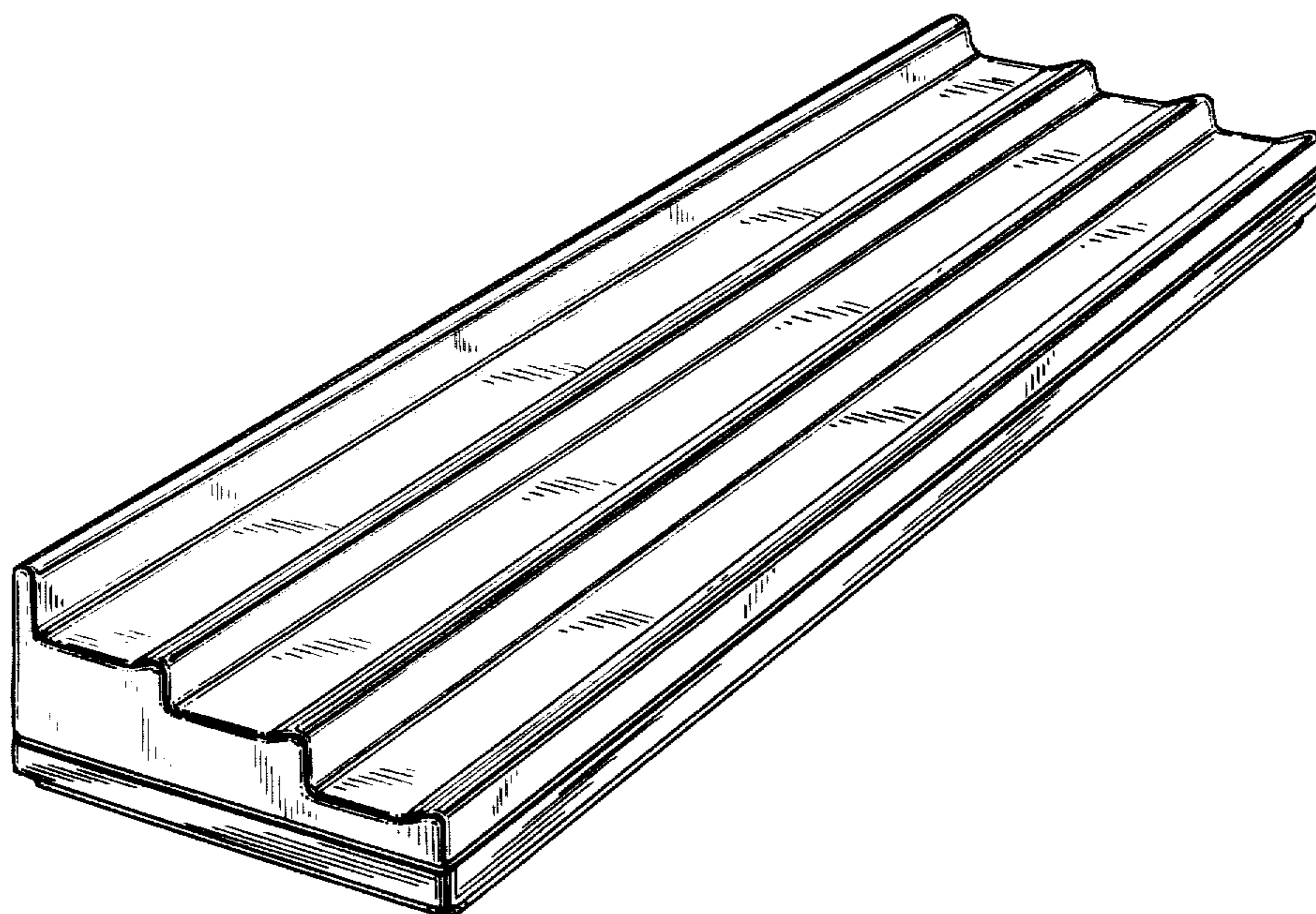


FIG. 1

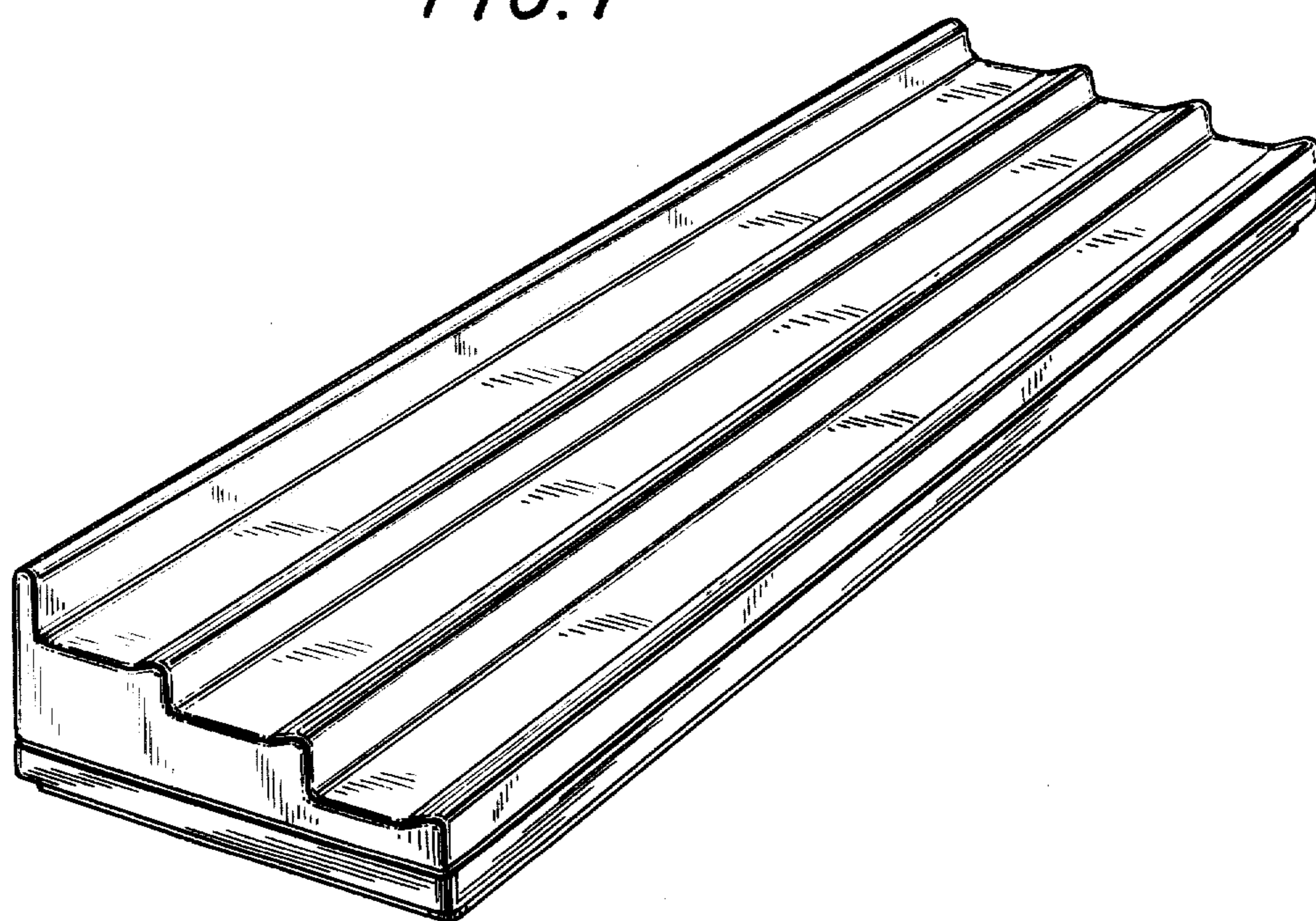


FIG. 2

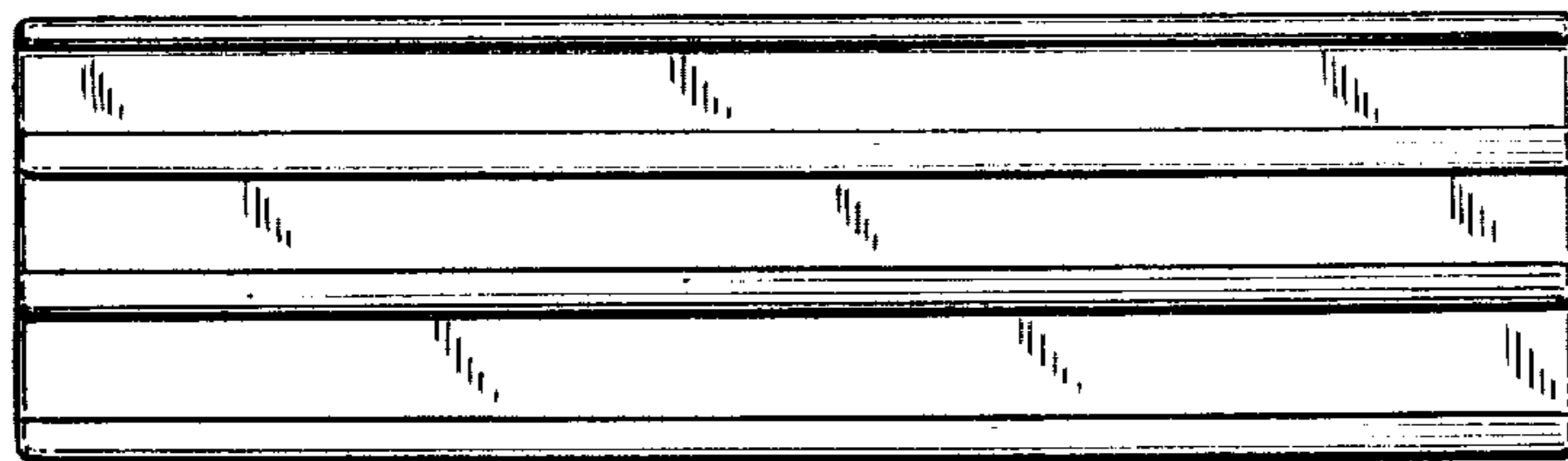
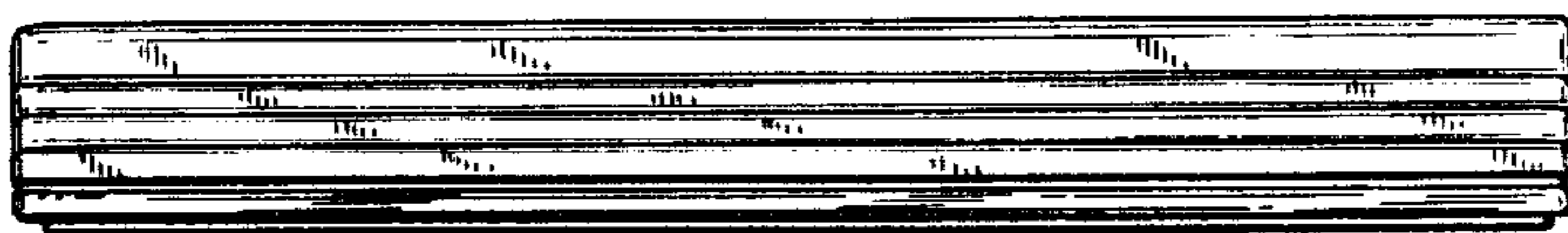


FIG. 3



FIG. 4

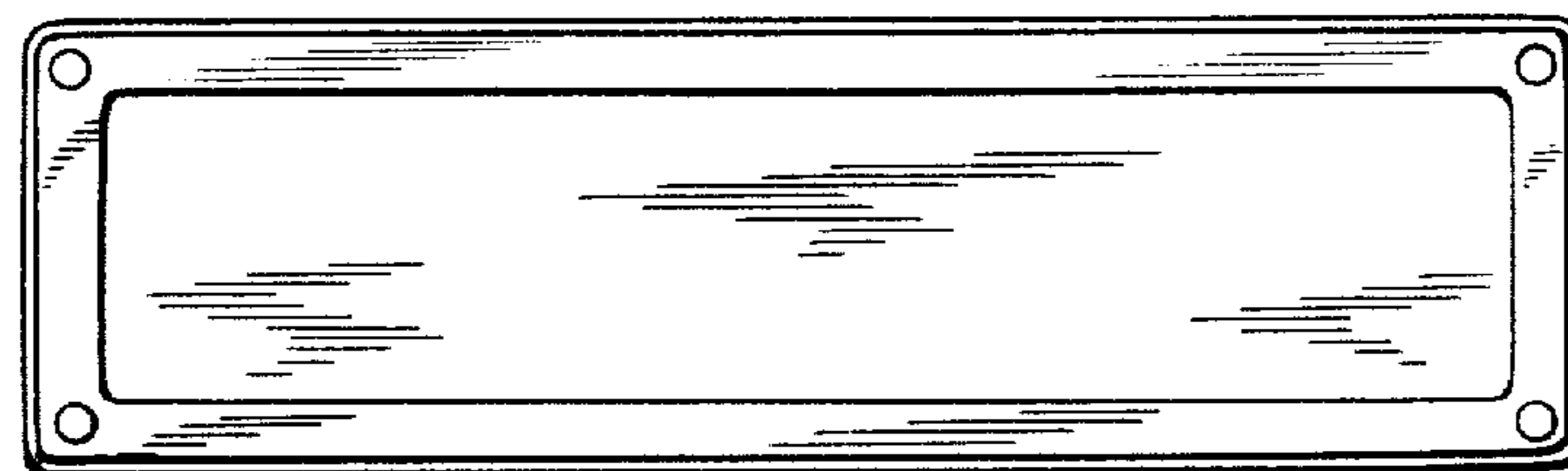


FIG. 5

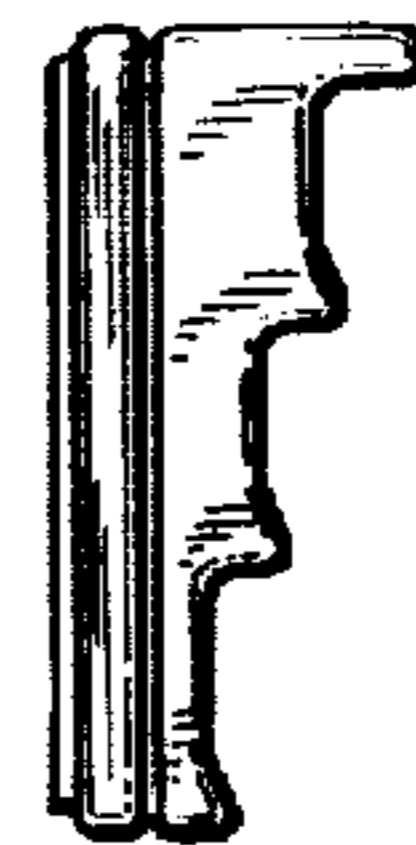


FIG. 6