

[54] **ELECTRONIC TRANSLATOR**

[75] Inventors: **Iwao Nakajima, Ikoma; Kazumasa Takenaka, Katano, both of Japan**

[73] Assignee: **Matsushita Electric Industrial Co., Osaka, Japan**

[\*\*] Term: **14 Years**

[21] Appl. No.: **157,787**

[22] Filed: **Jun. 9, 1980**

[30] **Foreign Application Priority Data**

Dec. 20, 1979 [JP] Japan ..... 54-53712

[51] Int. Cl. .... **D18-01**

[52] U.S. Cl. .... **D18/7**

[58] Field of Search ..... **D19/60; D18/7; 434/157, 434/156, 169**

[56]

**References Cited  
PUBLICATIONS**

Retailing Home Furnishing, Jan. 1, 1979, Sect. Two, p. 32, top left, Craig M-100.  
Language Translator That Speaks, ©1979, by Texas Instruments, Brochure.  
Retailing Home Furnishings, Jan. 7, 1980, Section Two, p. 57, upper left, Quasar Co., Electronic Translator. Language Translator that Speaks, copyrighted 1979, distributed by Texas Instruments (brochure).

*Primary Examiner*—Melvin B. Feifer  
*Attorney, Agent, or Firm*—Stevens, Davis, Miller, Mosher

[57]

**CLAIM**

The ornamental design for an electronic translator, as shown and described.

**DESCRIPTION**

FIG. 1 is a top, front and right side perspective view of an electronic translator showing our new design, FIG. 2 is a rear, bottom and left side perspective view thereof, and FIG. 3 is a left side elevational view thereof.

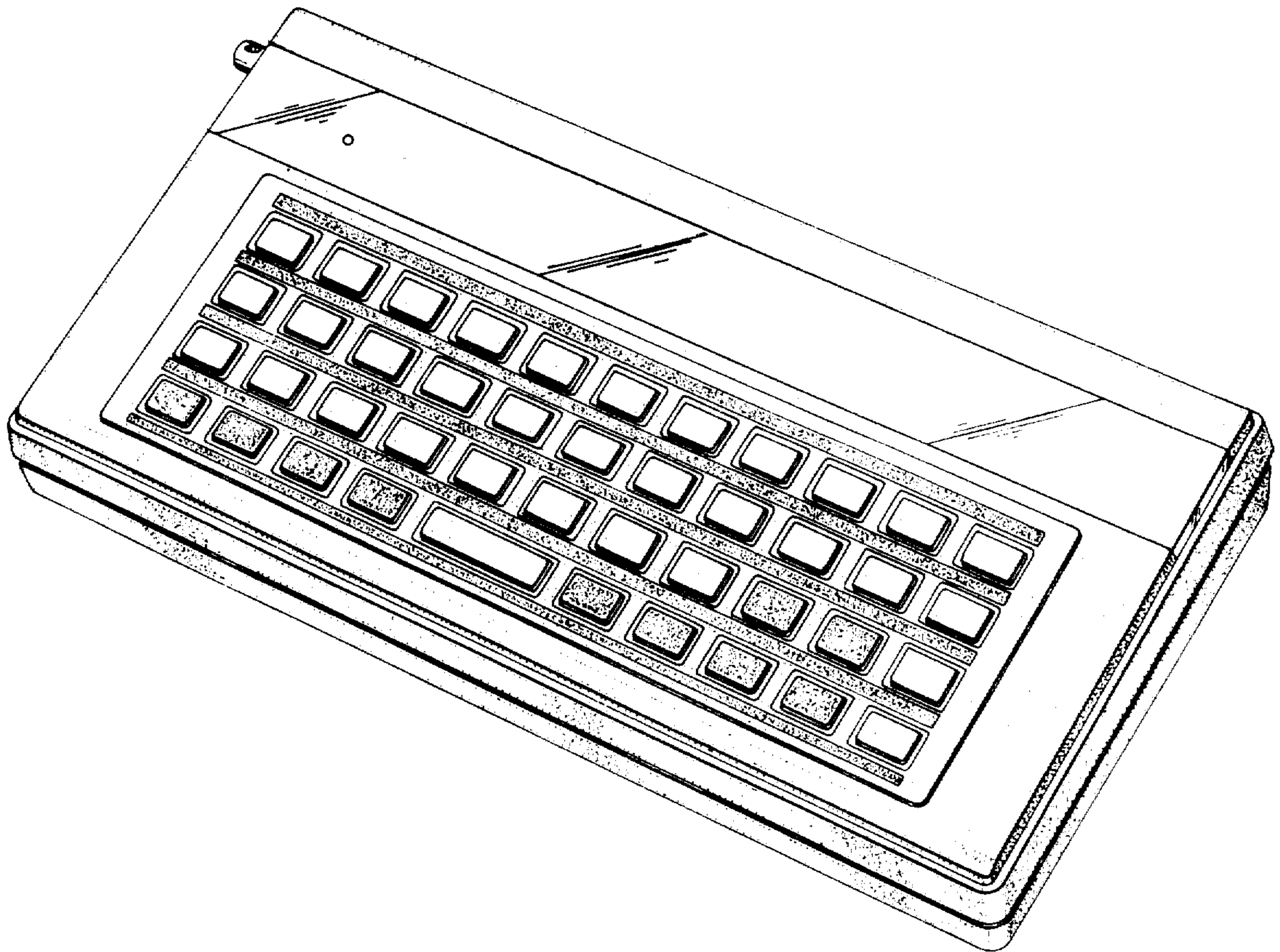


FIG. 1

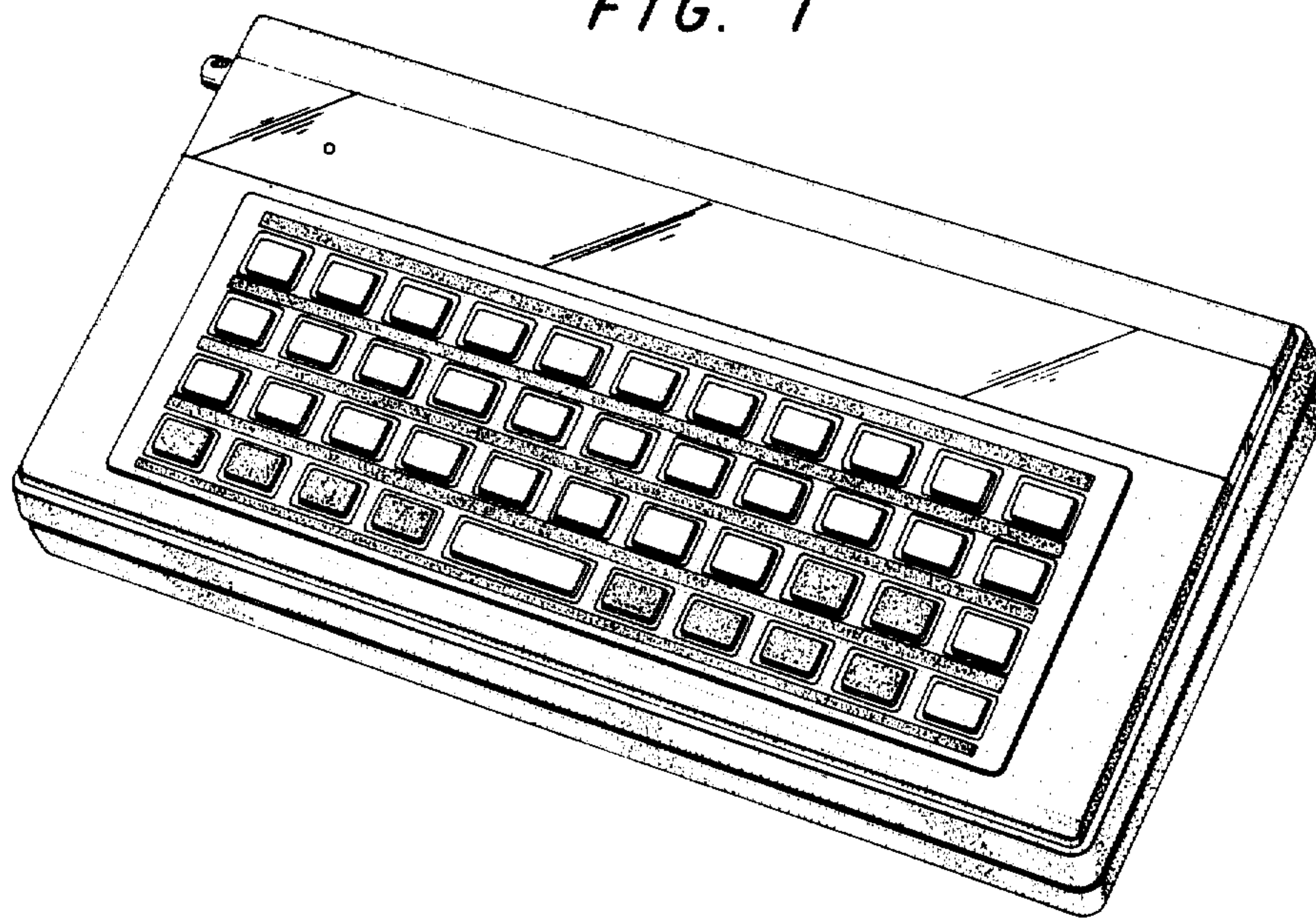


FIG. 2

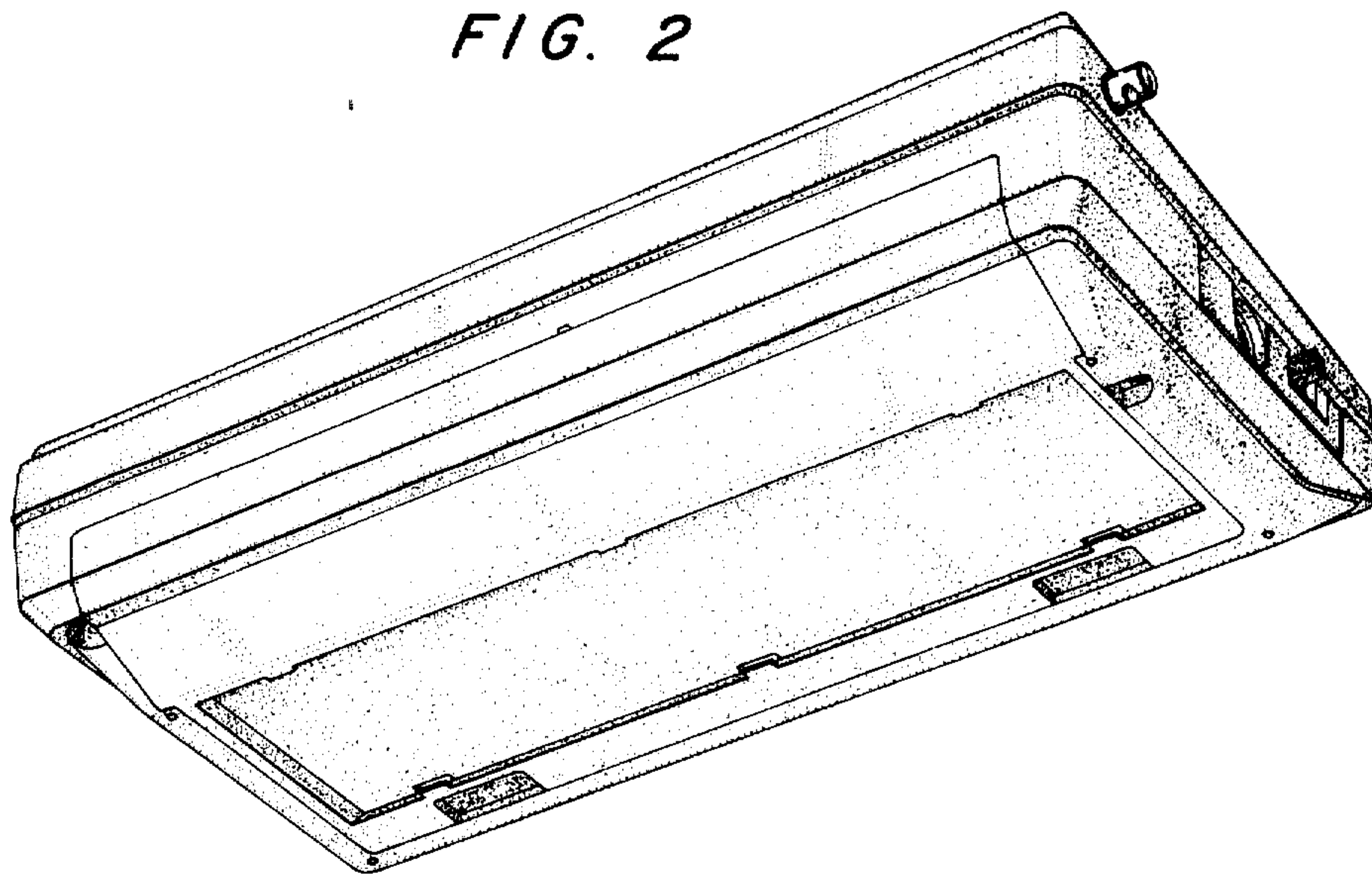


FIG. 3

