

[54] **GUITAR BRIDGE**

4,281,576 8/1981 Fender 84/307 X

[76] Inventor: **C. Leo Fender, 1510 Dana Pl., Fullerton, Calif. 92635**

[**] Term: **14 Years**

[21] Appl. No.: **266,822**

[22] Filed: **May 26, 1981**

[51] Int. Cl. **D17-03**

[52] U.S. Cl. **D17/21**

[58] Field of Search **D17/14, 18-21; 84/291, 292, 267, 307**

[56] **References Cited**

U.S. PATENT DOCUMENTS

D. 256,804 9/1980 Fender D17/21

OTHER PUBLICATIONS

The Music Trades, 1-80, p. 95, right guitar, bridge.

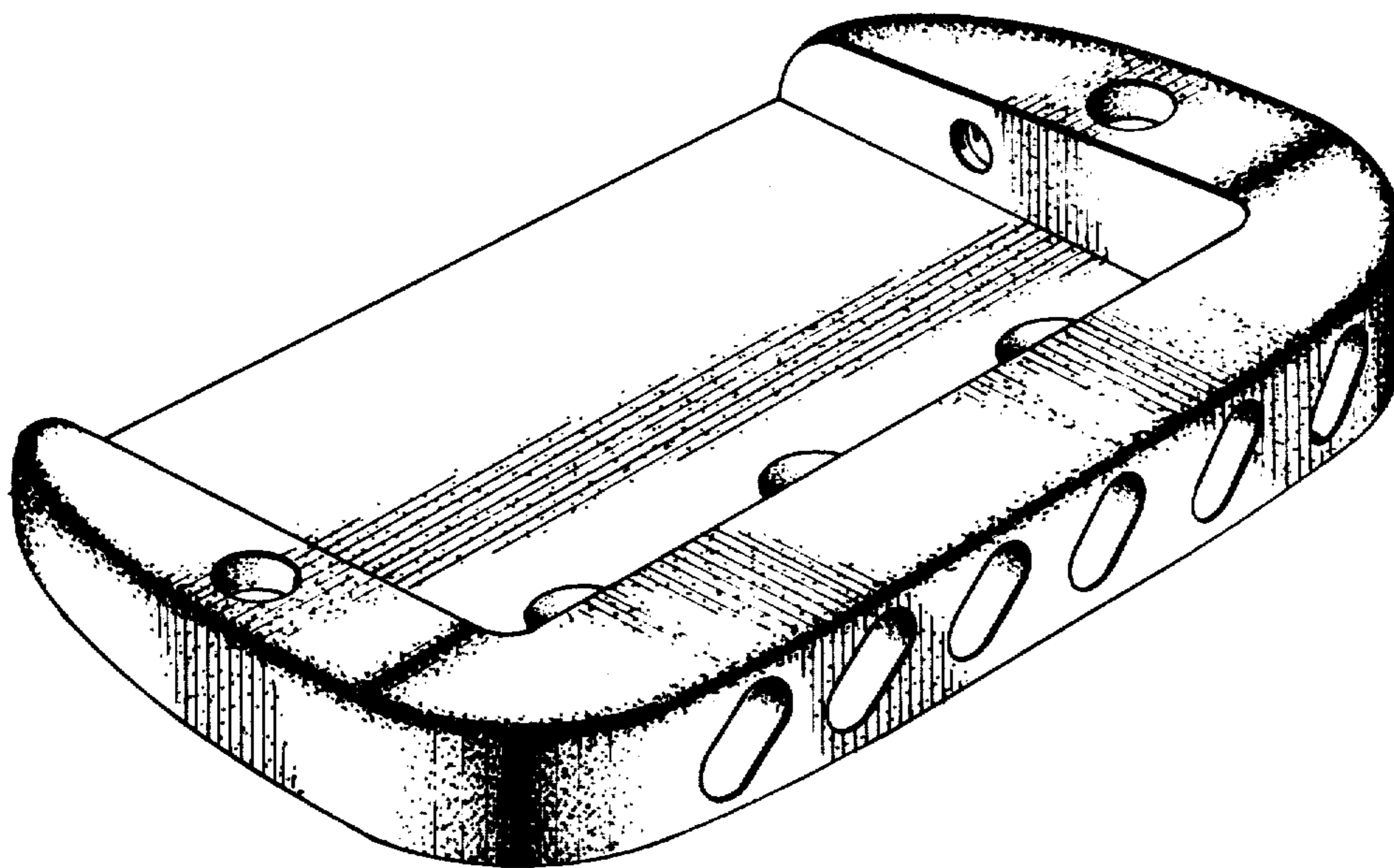
Primary Examiner—Jane E. Corrigan
Attorney, Agent, or Firm—Philip M. Hinderstein

[57] **CLAIM**

The ornamental design for a guitar bridge, as shown.

DESCRIPTION

FIG. 1 is a rear, top and left side perspective view of a guitar bridge showing my new design; FIG. 2 is a right side elevation view; FIG. 3 is a front elevation view; FIG. 4 is a rear elevation view; FIG. 5 is a top plan view; and FIG. 6 is a bottom plan view.



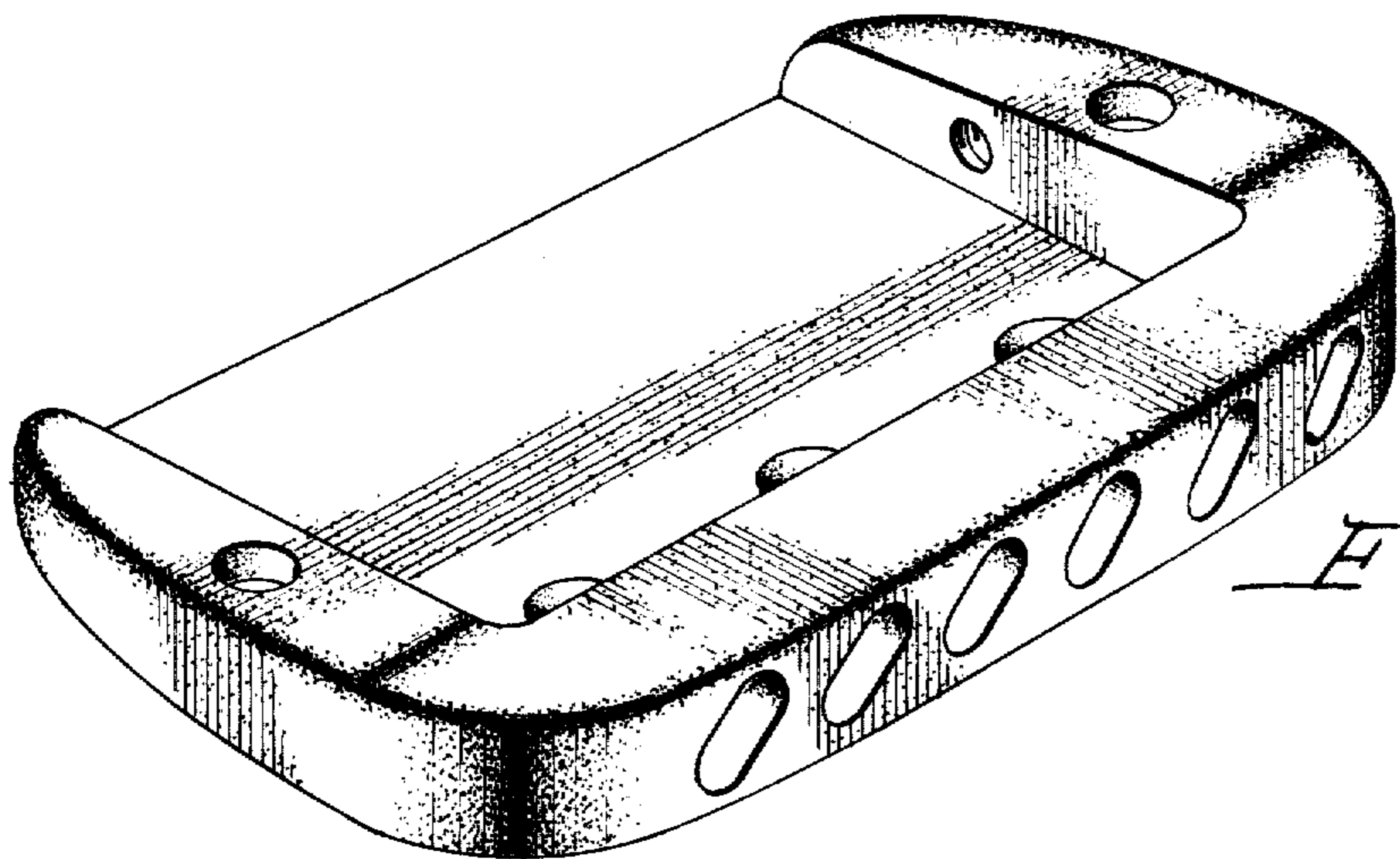


FIG. 1.

FIG. 2.



FIG. 3.

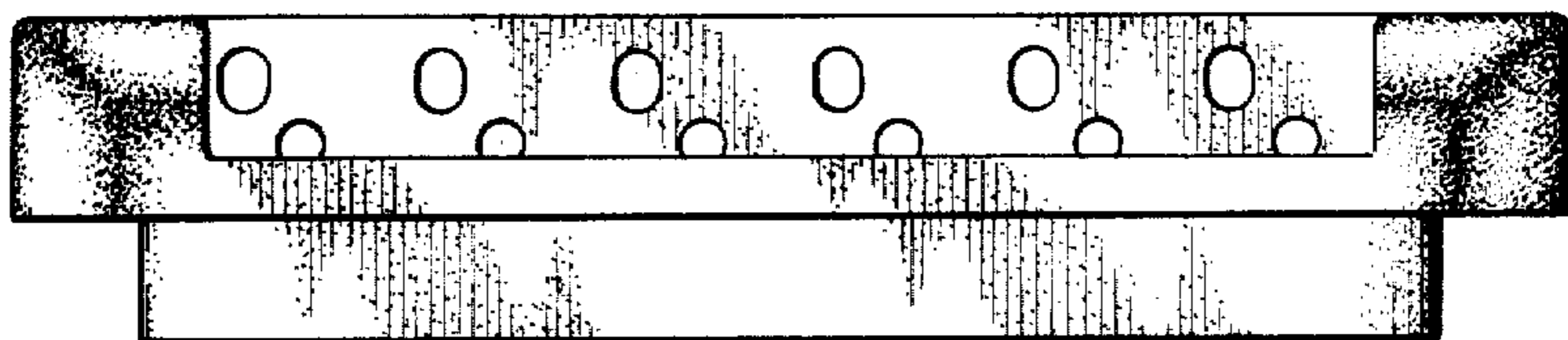


FIG. 4.

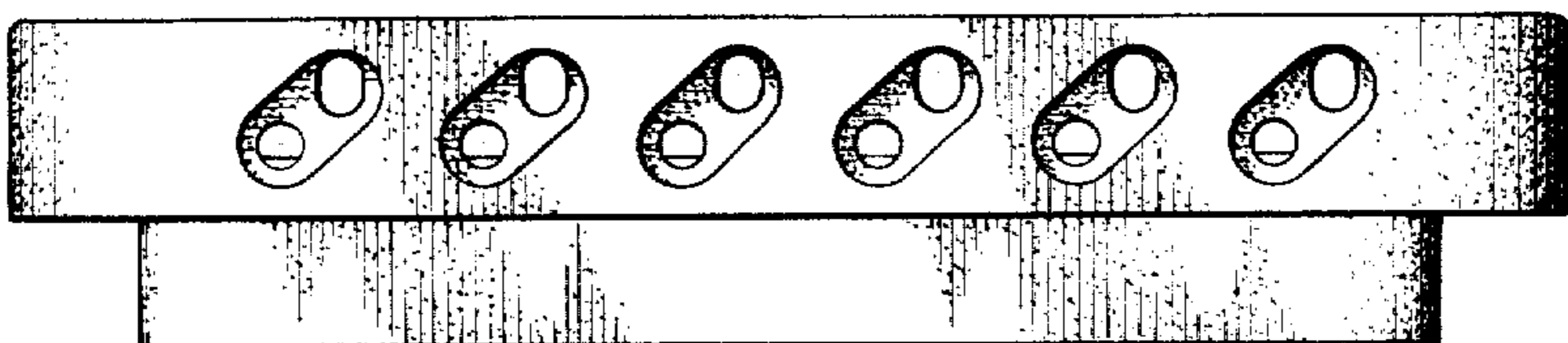


FIG. 5.

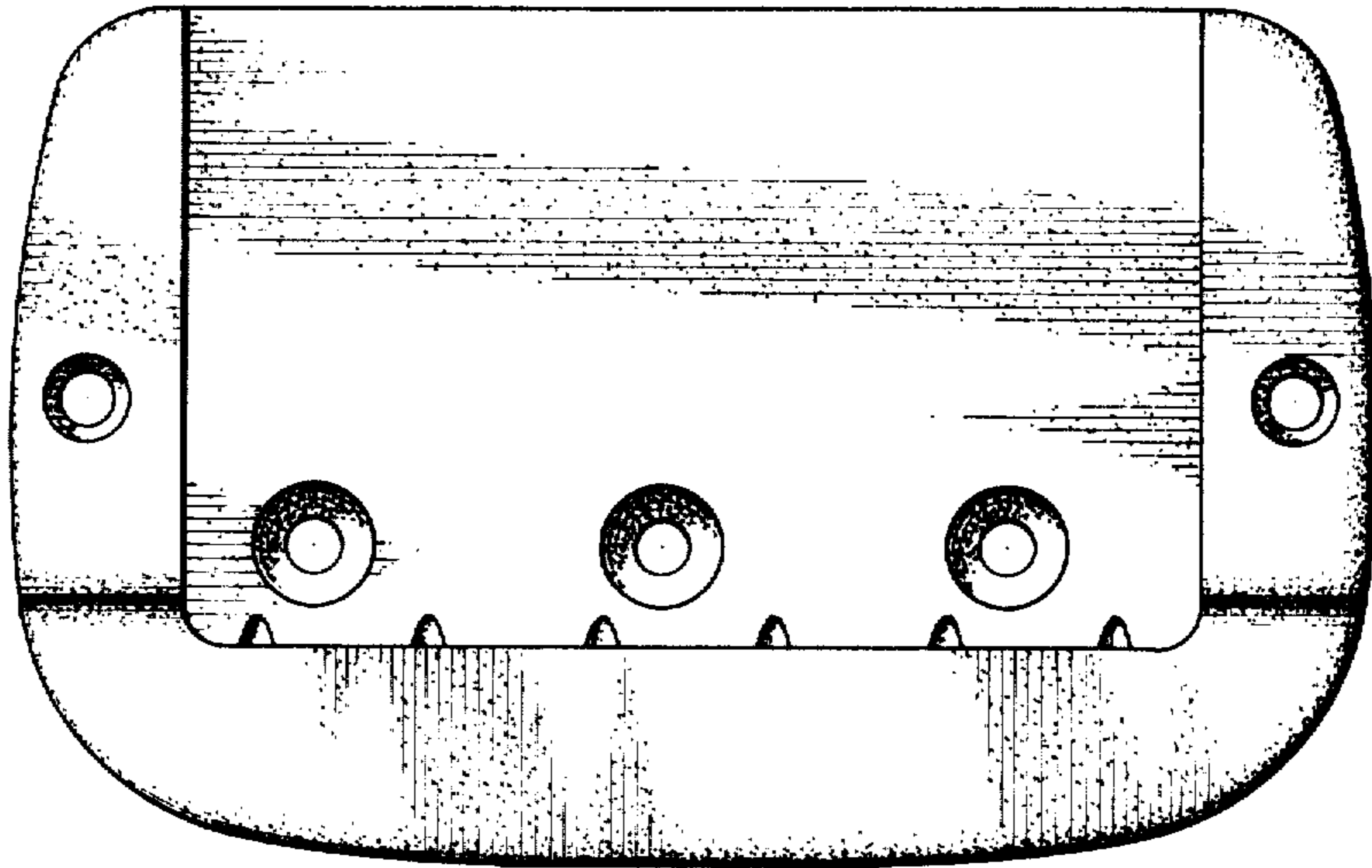


FIG. 6.

