

[54] GUITAR BRIDGE

[75] Inventor: Hartley D. Peavey, Meridian, Miss.

[73] Assignee: Peavey Electronics Corp., Meridian, Miss.

[**] Term: 14 Years

[21] Appl. No.: 266,294

[22] Filed: May 22, 1981

[51] Int. Cl. D17-03

[52] U.S. Cl. D17/21

[58] Field of Search D17/14, 15, 18, 19, D17/21; 84/267, 291, 292, 298, 307

[56] References Cited

U.S. PATENT DOCUMENTS

D. 222,110 9/1971 Rendell D17/21
411,554 9/1889 Marsters 84/298 X

1,230,695 6/1917 Fickert 84/298
4,160,401 7/1979 Tomioka 84/307 X

FOREIGN PATENT DOCUMENTS

958521 1/1957 Fed. Rep. of Germany 84/307

Primary Examiner—Jane E. Corrigan
Attorney, Agent, or Firm—Berman, Aisenberg & Platt

[57] CLAIM

The ornamental design for a guitar bridge, as shown and described.

DESCRIPTION

FIG. 1 is a top plan view of a guitar bridge showing my new design;
FIG. 2 is a front elevational view;
FIG. 3 is a right side elevational view;
FIG. 4 is a left side elevational view;
FIG. 5 is a rear elevational view; and
FIG. 6 is a bottom plan view.

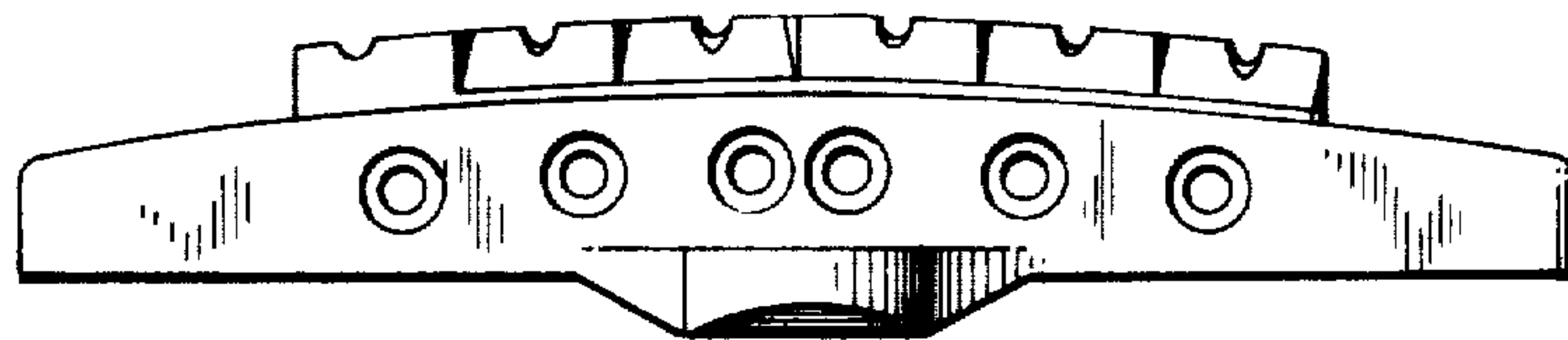
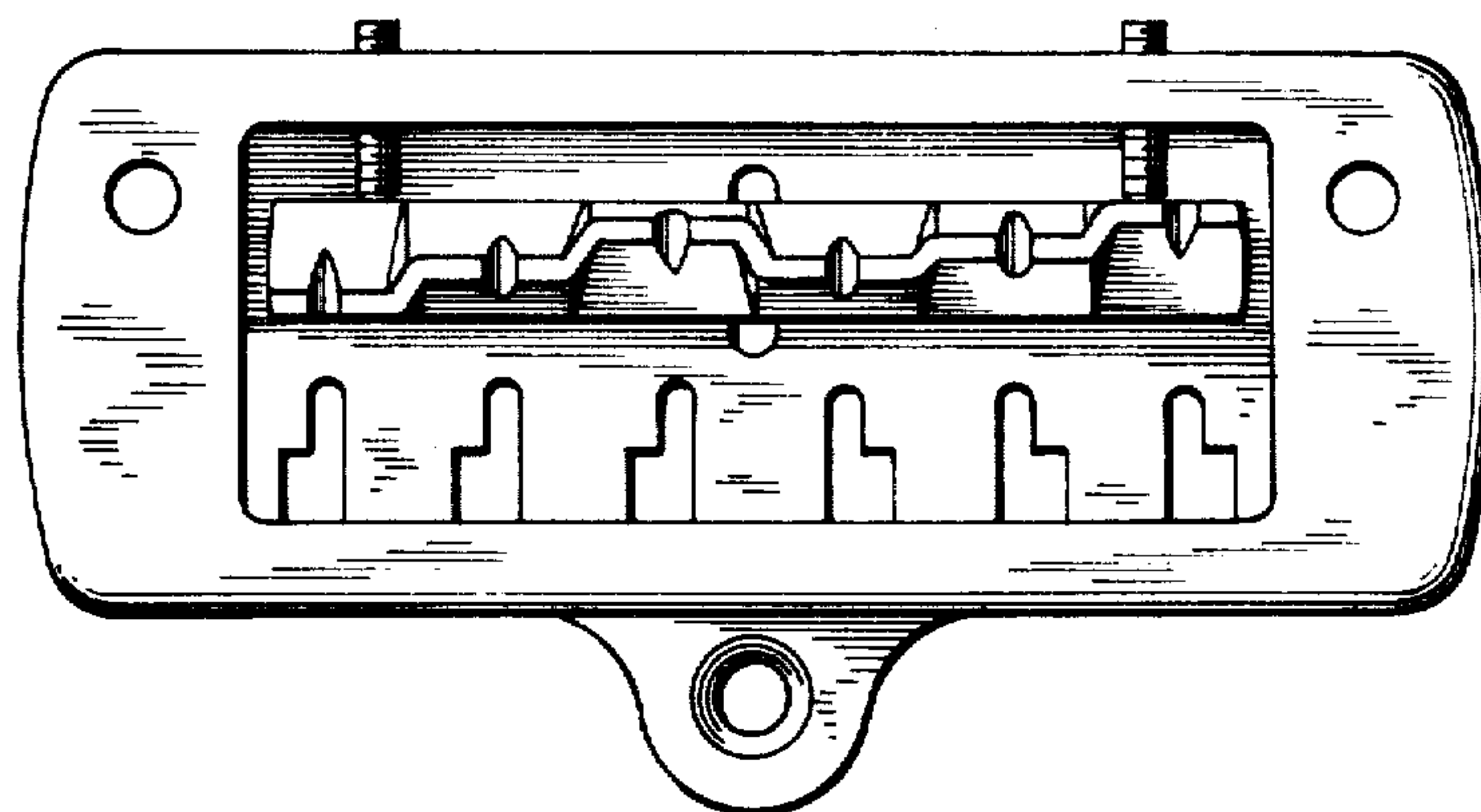


FIG. 1

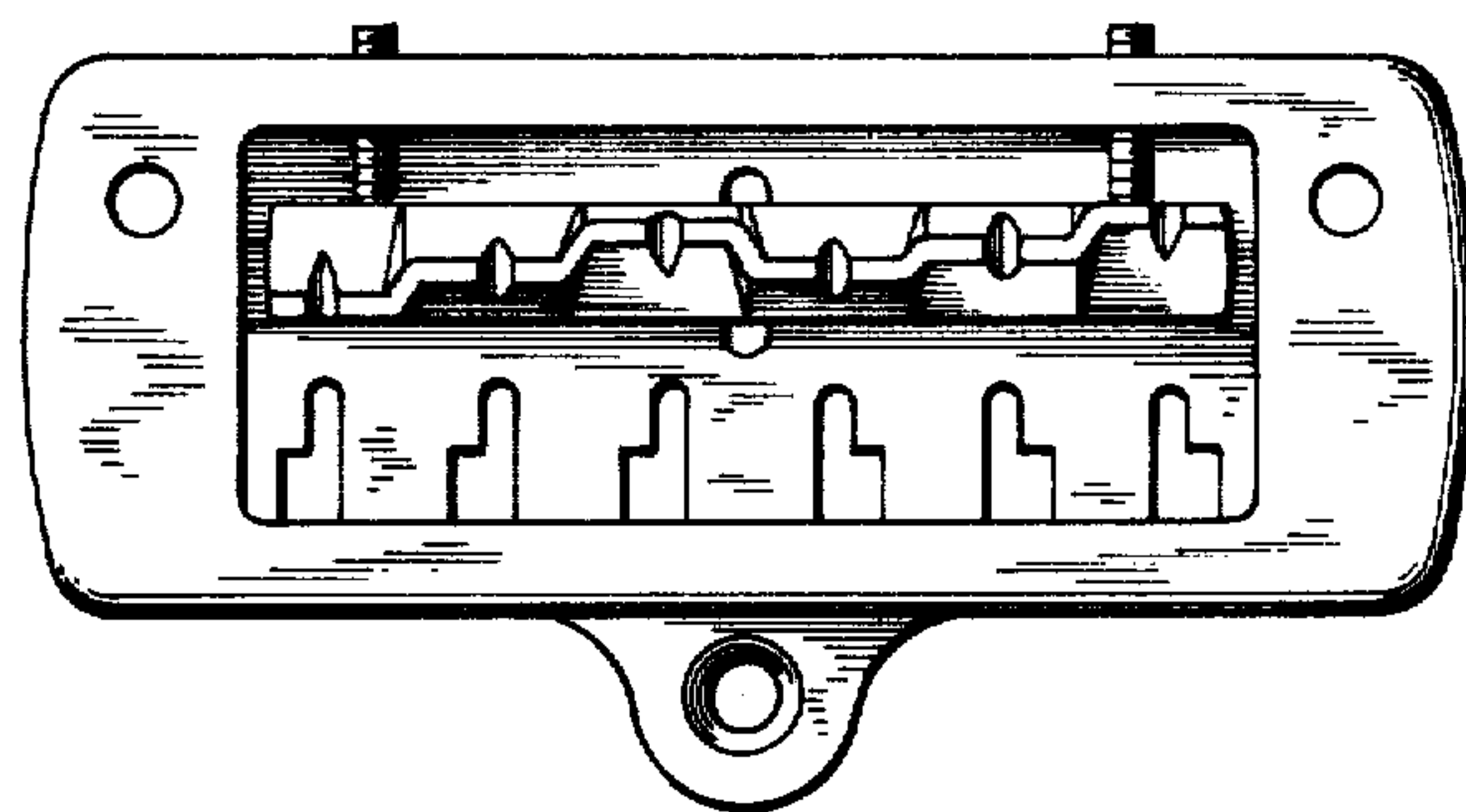


FIG. 2

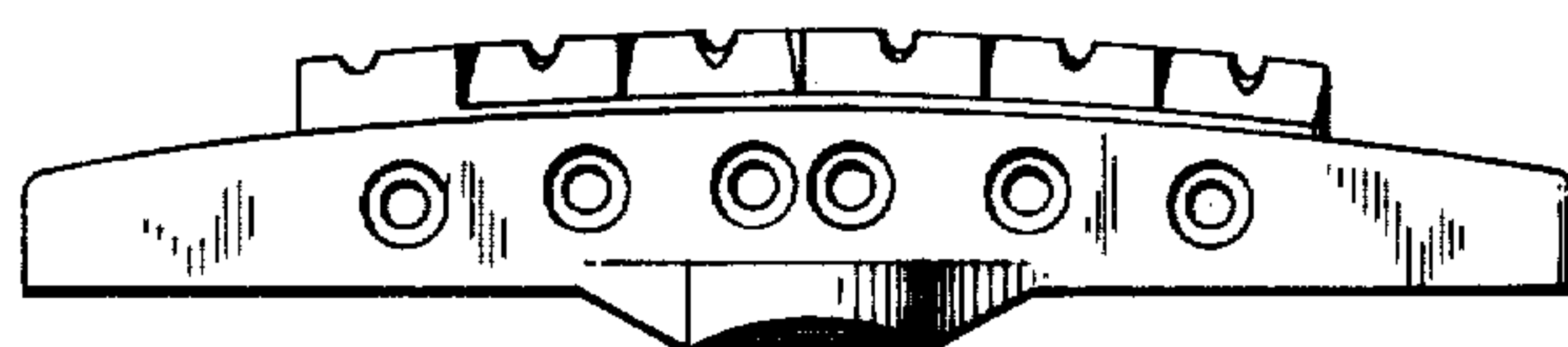


FIG. 3

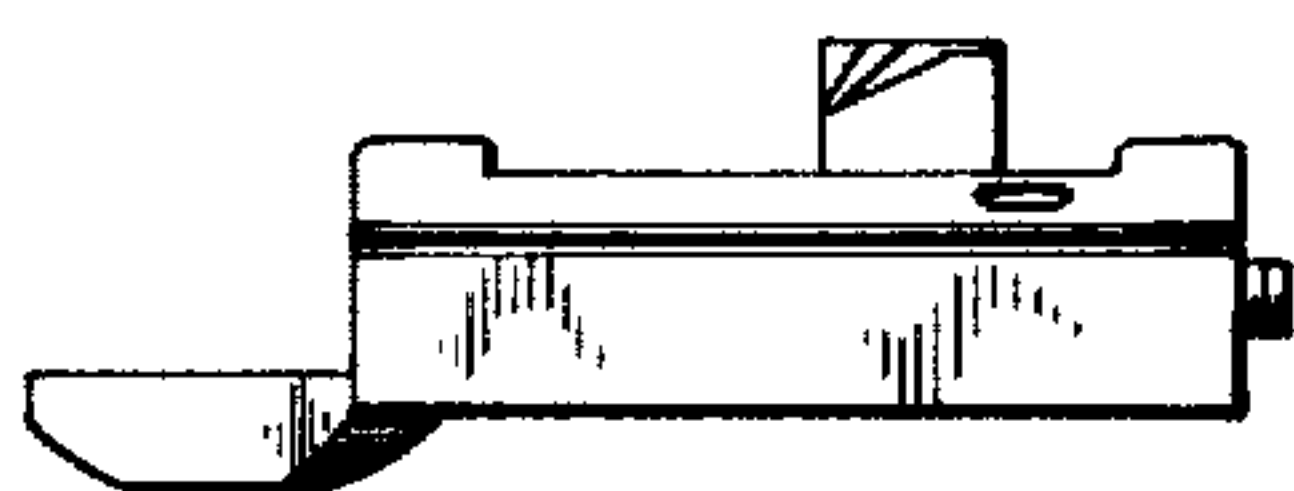


FIG. 4

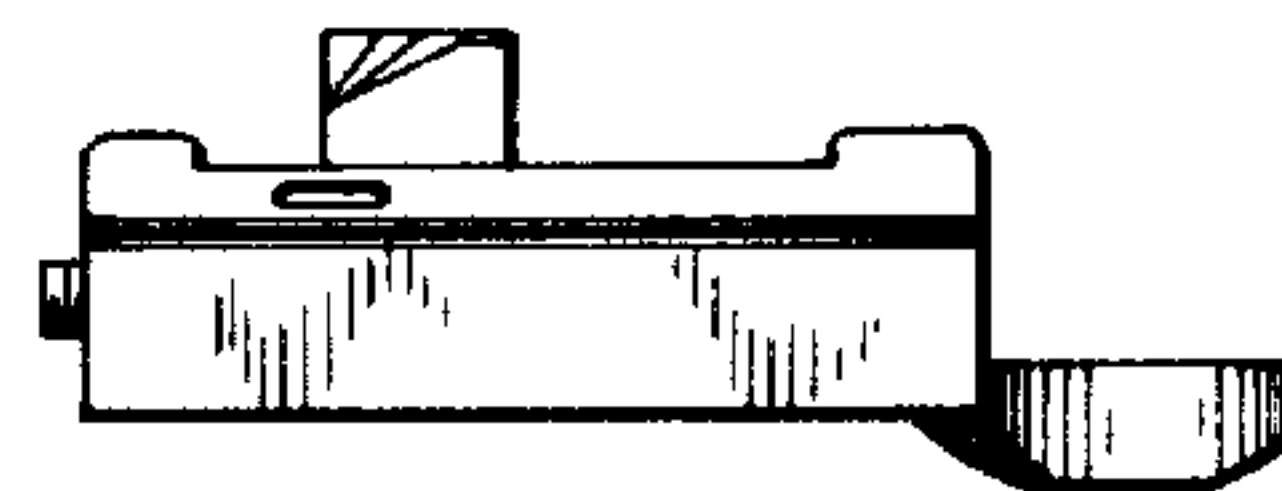


FIG. 5

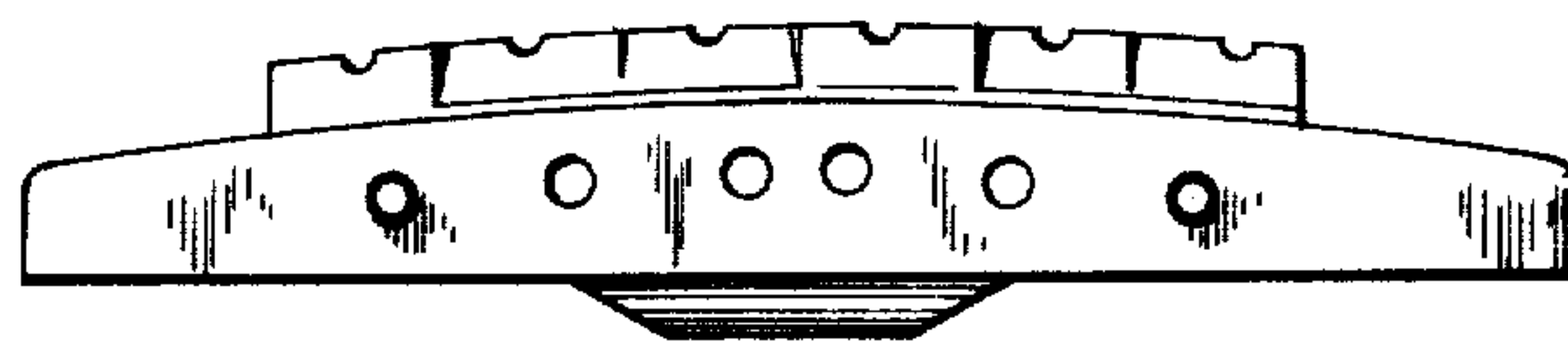


FIG. 6

