

[54] SLIDE PROJECTOR MAGAZINE

[75] Inventor: Jochen Jost, Essen, Fed. Rep. of Germany

[73] Assignee: Agfa-Gevaert AG, Leverkusen, Fed. Rep. of Germany

[**] Term: 14 Years

[21] Appl. No.: 178,701

[22] Filed: Aug. 12, 1980

[30] Foreign Application Priority Data

Feb. 12, 1980 [DE] Fed. Rep. of Germany 5MR578

[51] Int. Cl. D16-02

[52] U.S. Cl. D16/26

[58] Field of Search D16/26, 38, 21; 40/152; 206/555; 353/103, 112, 116

[56] References Cited

U.S. PATENT DOCUMENTS

- D. 180,765 8/1957 Briskin D16/26
- D. 231,859 6/1974 Annett D16/26
- 2,805,503 9/1957 McKee 353/103
- 2,919,021 12/1959 Robinson 353/103 X
- 3,009,274 11/1961 Kremp 353/103

- 3,081,870 3/1963 Plettner D16/26 X
- 3,718,392 2/1973 Harvey 353/103 X
- 3,830,566 8/1974 Bennett 353/116

FOREIGN PATENT DOCUMENTS

- 1013169 8/1957 Fed. Rep. of Germany 353/116
- 1347792 11/1963 France 353/116
- 43862 3/1966 German Democratic Rep. 353/116

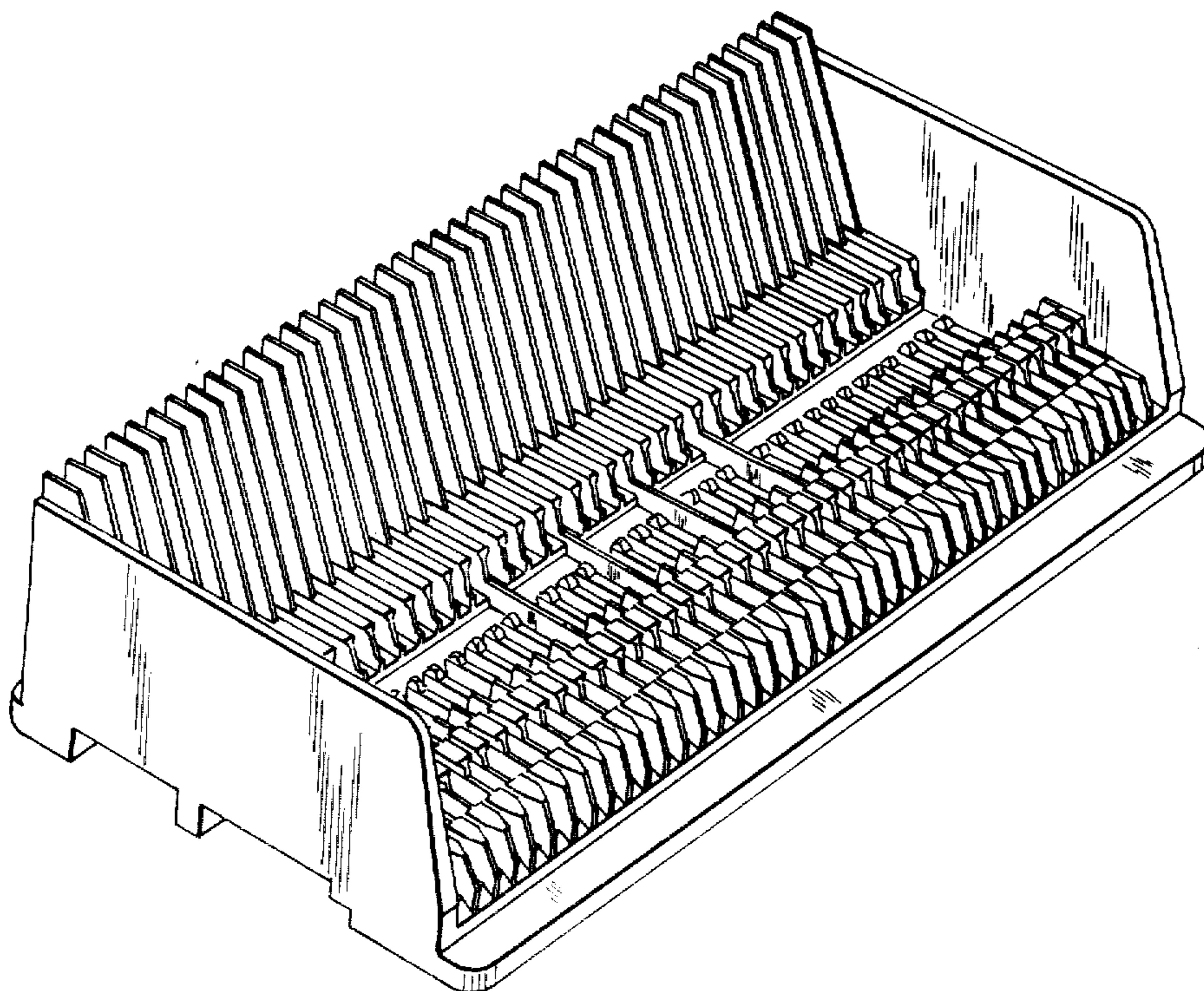
Primary Examiner—Nelson C. Holtje
Attorney, Agent, or Firm—Michael J. Striker

[57] CLAIM

The ornamental design for a magazine slide projector, substantially as shown and described.

DESCRIPTION

FIG. 1 is a front elevational view of a slide projector magazine showing my new design;
 FIG. 2 is a rear elevational view thereof;
 FIG. 3 is a top plan view thereof;
 FIG. 4 is a bottom plan view thereof;
 FIG. 5 is a right side elevational view thereof;
 FIG. 6 is a left side elevational view thereof;
 FIG. 7 is a top perspective view thereof;
 FIG. 8 is a bottom perspective view thereof; and
 FIG. 9 is a cross-sectional view thereof.



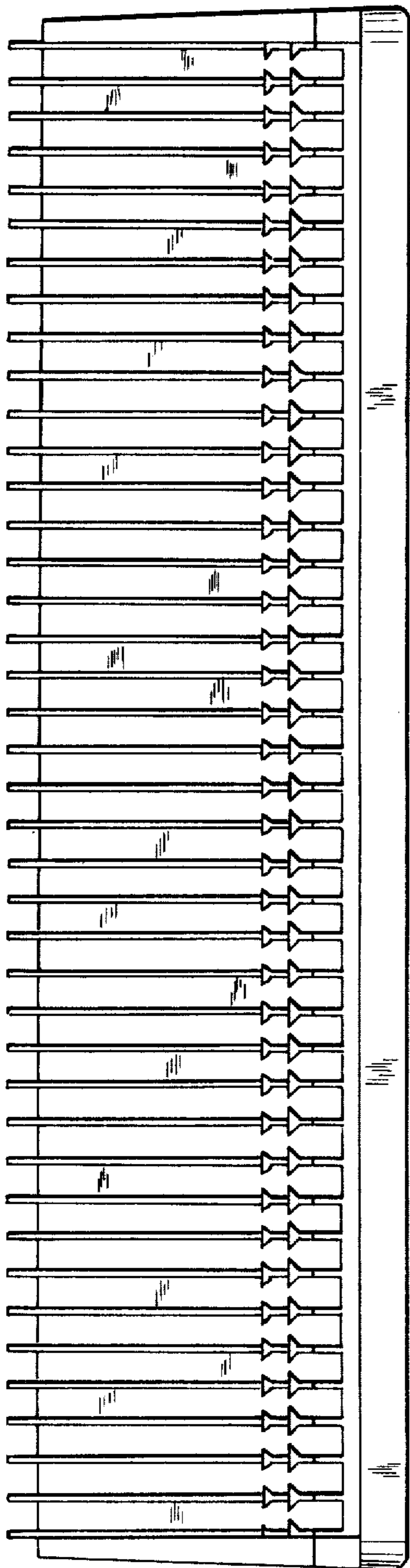


FIG. 1

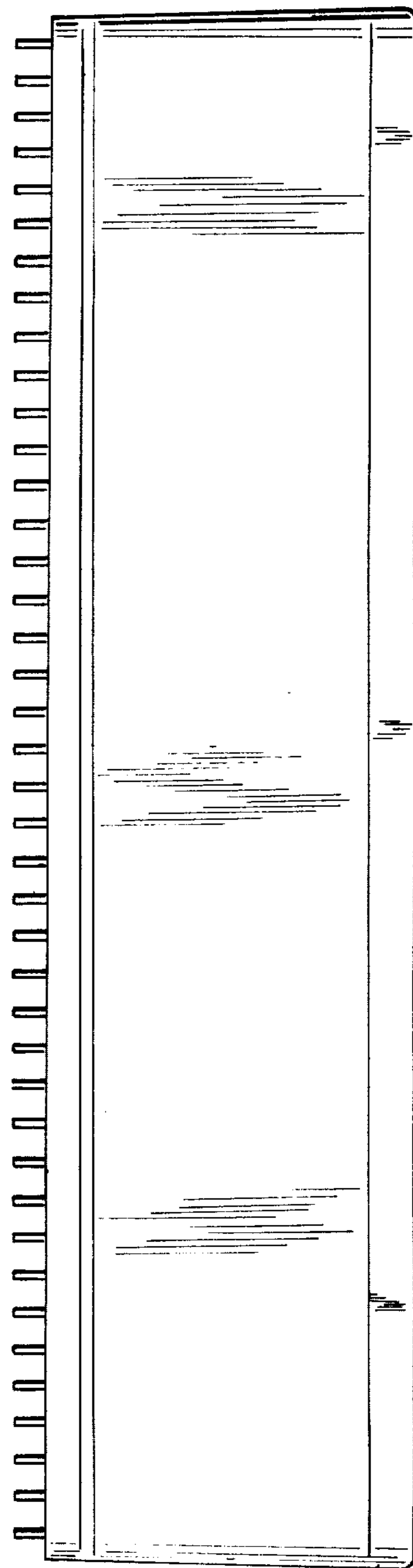


FIG. 2

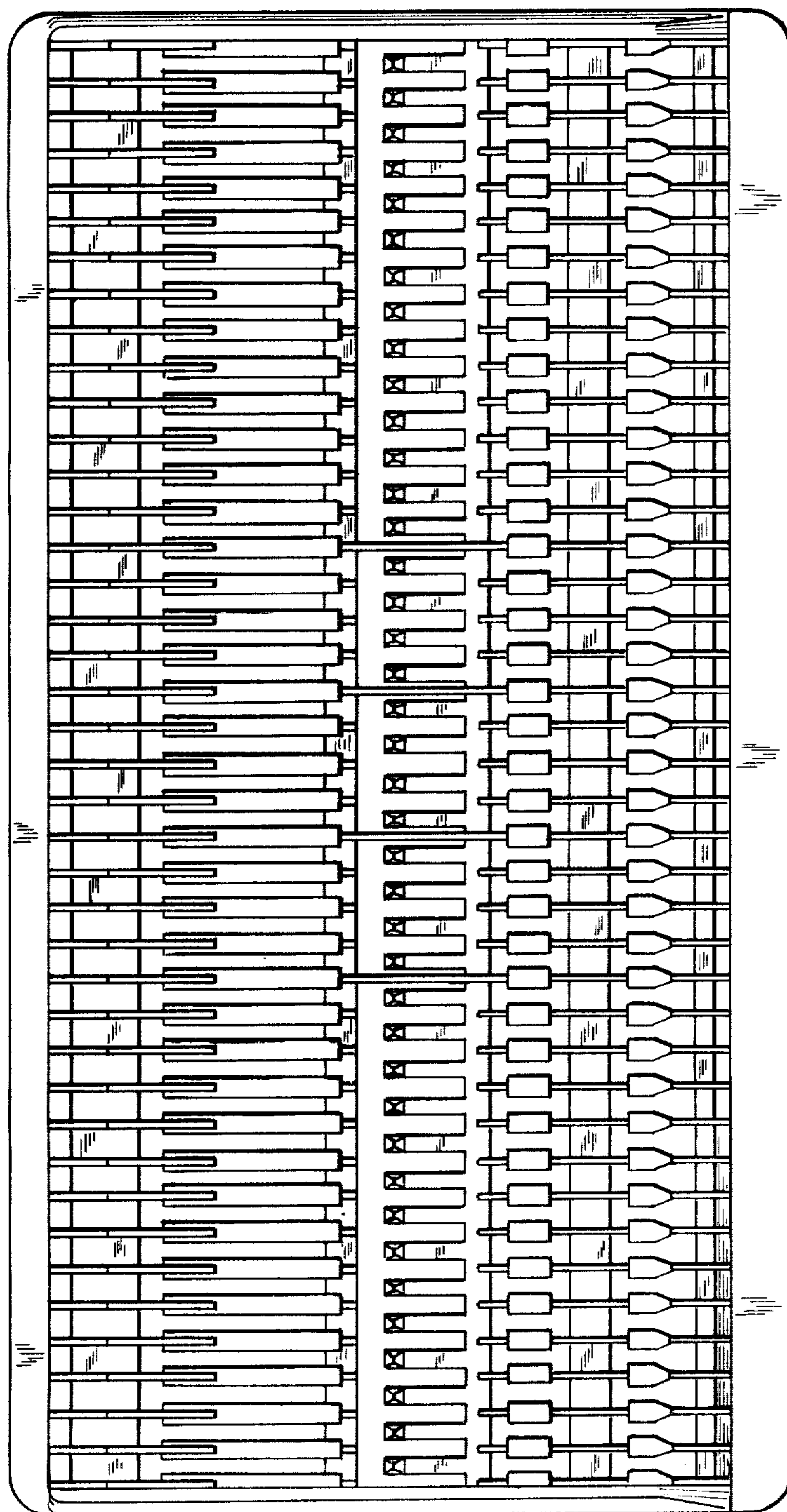


FIG. 3

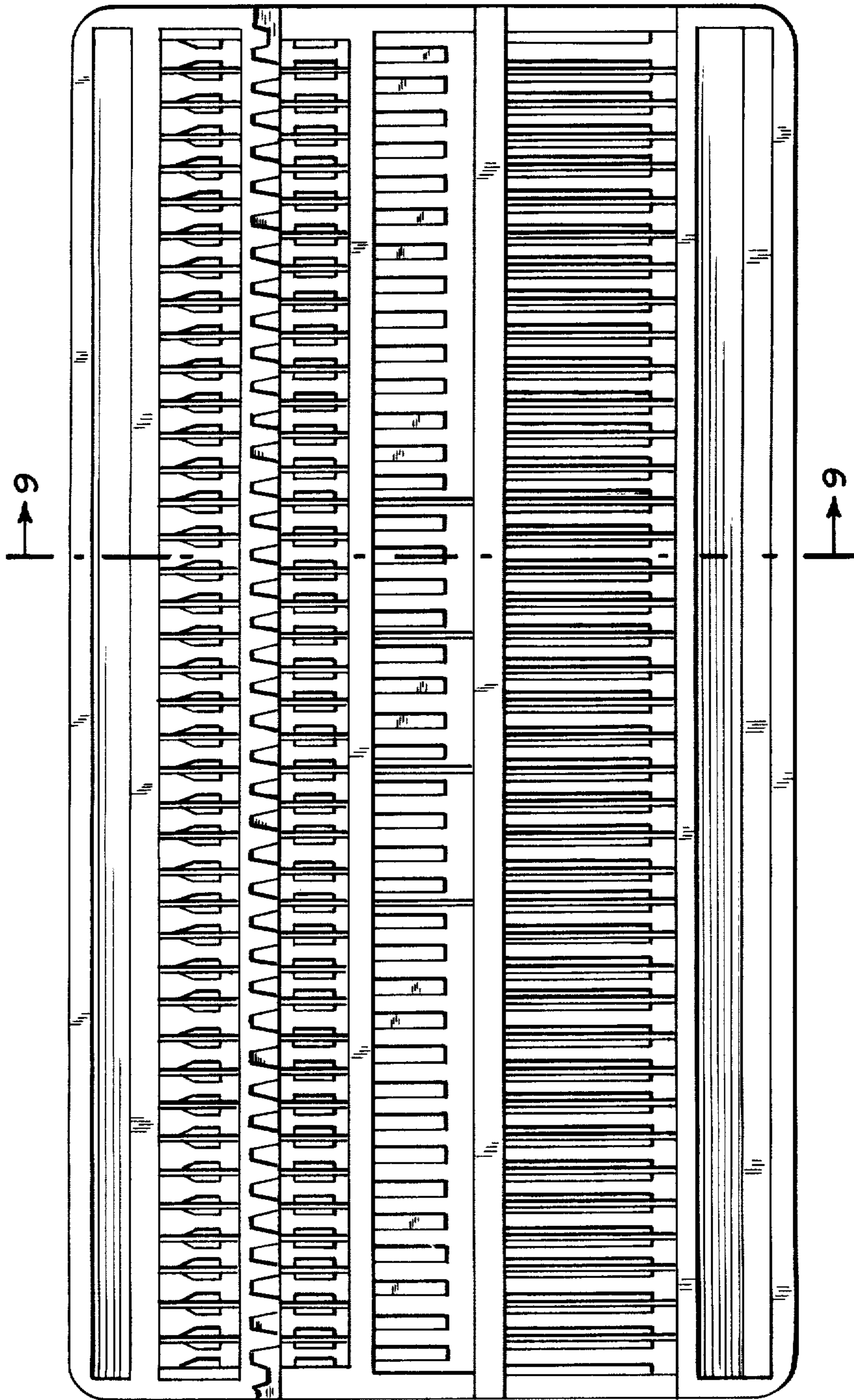


FIG. 4

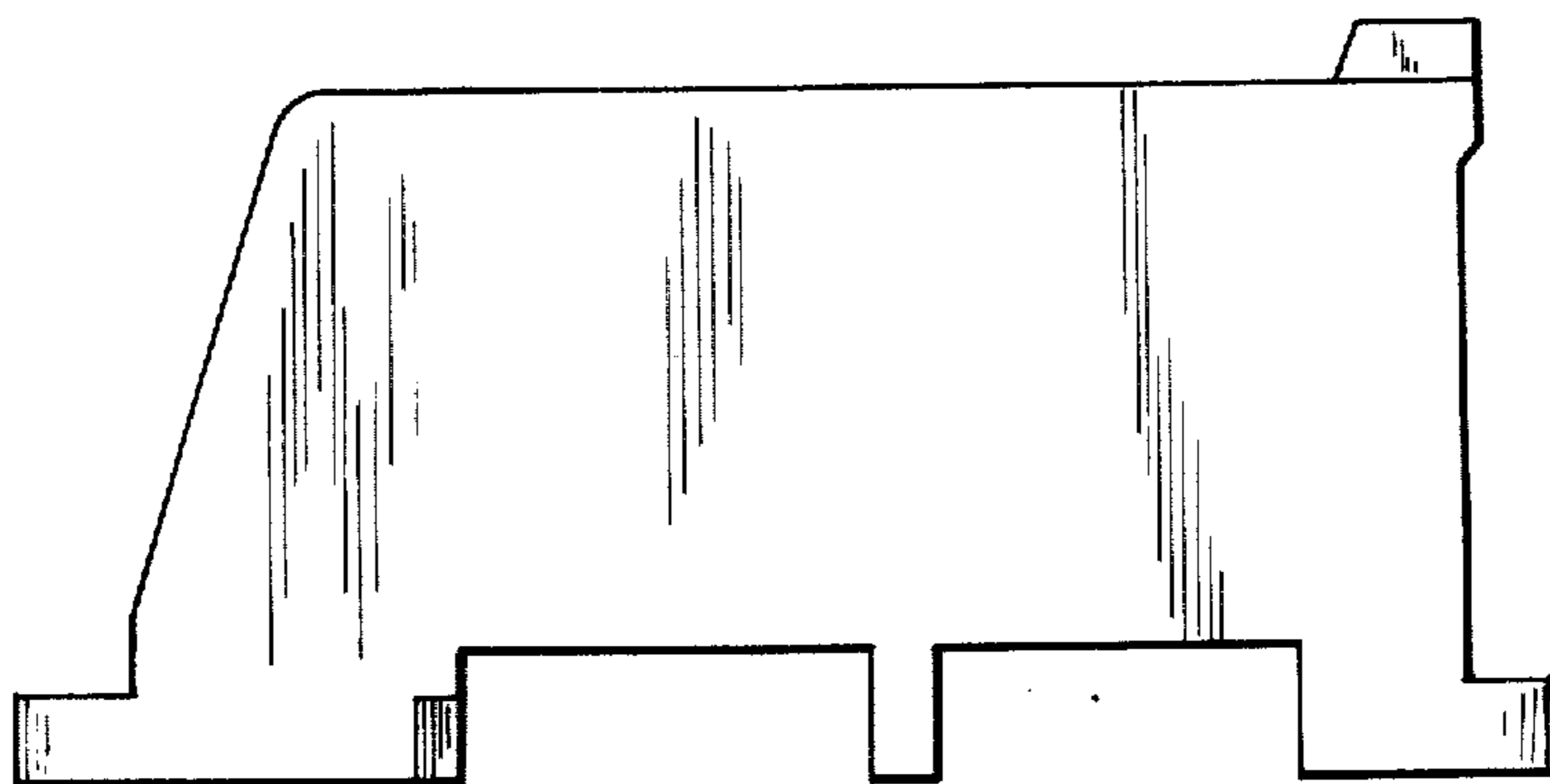


FIG. 5

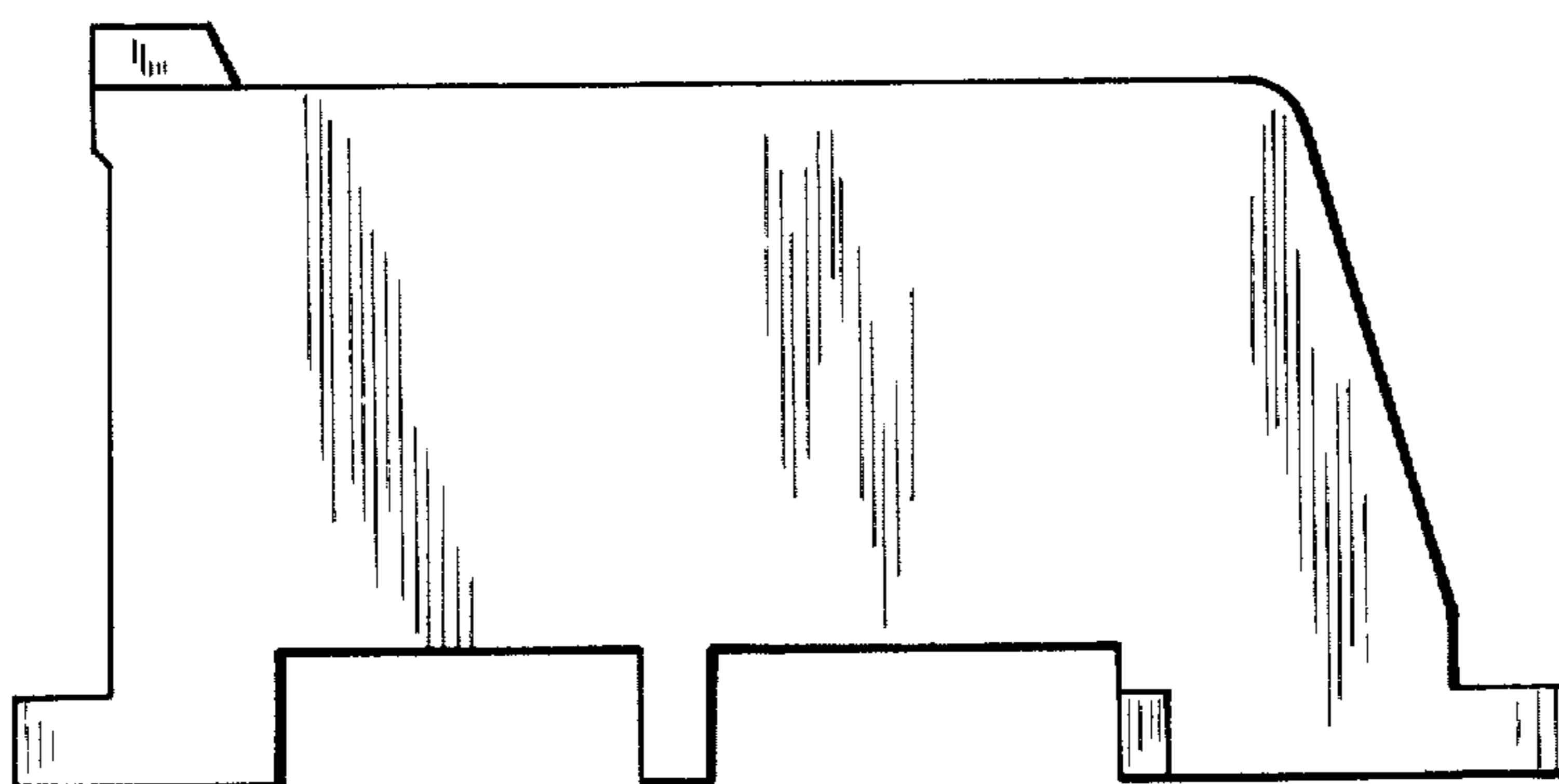


FIG. 6

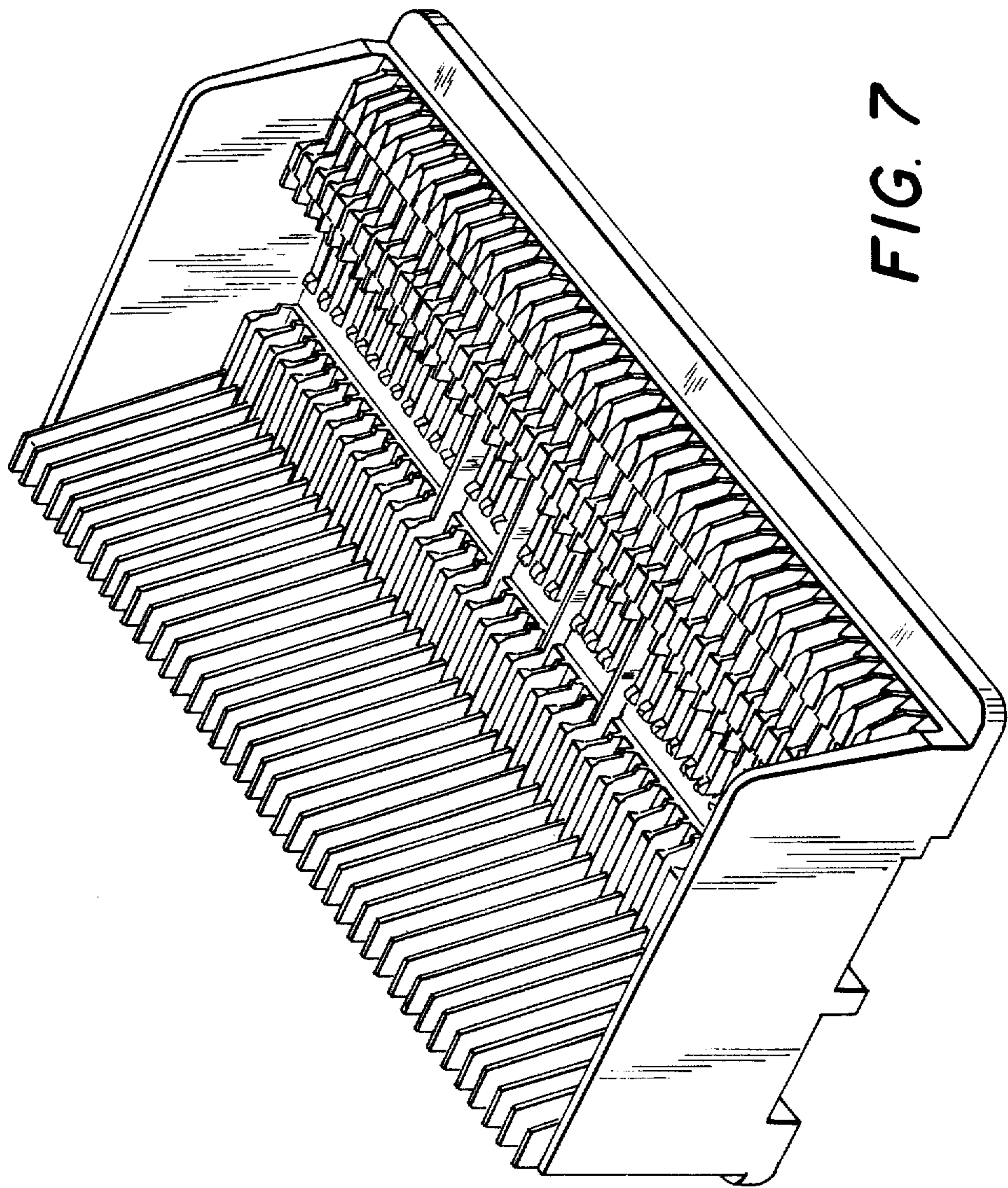


FIG. 7

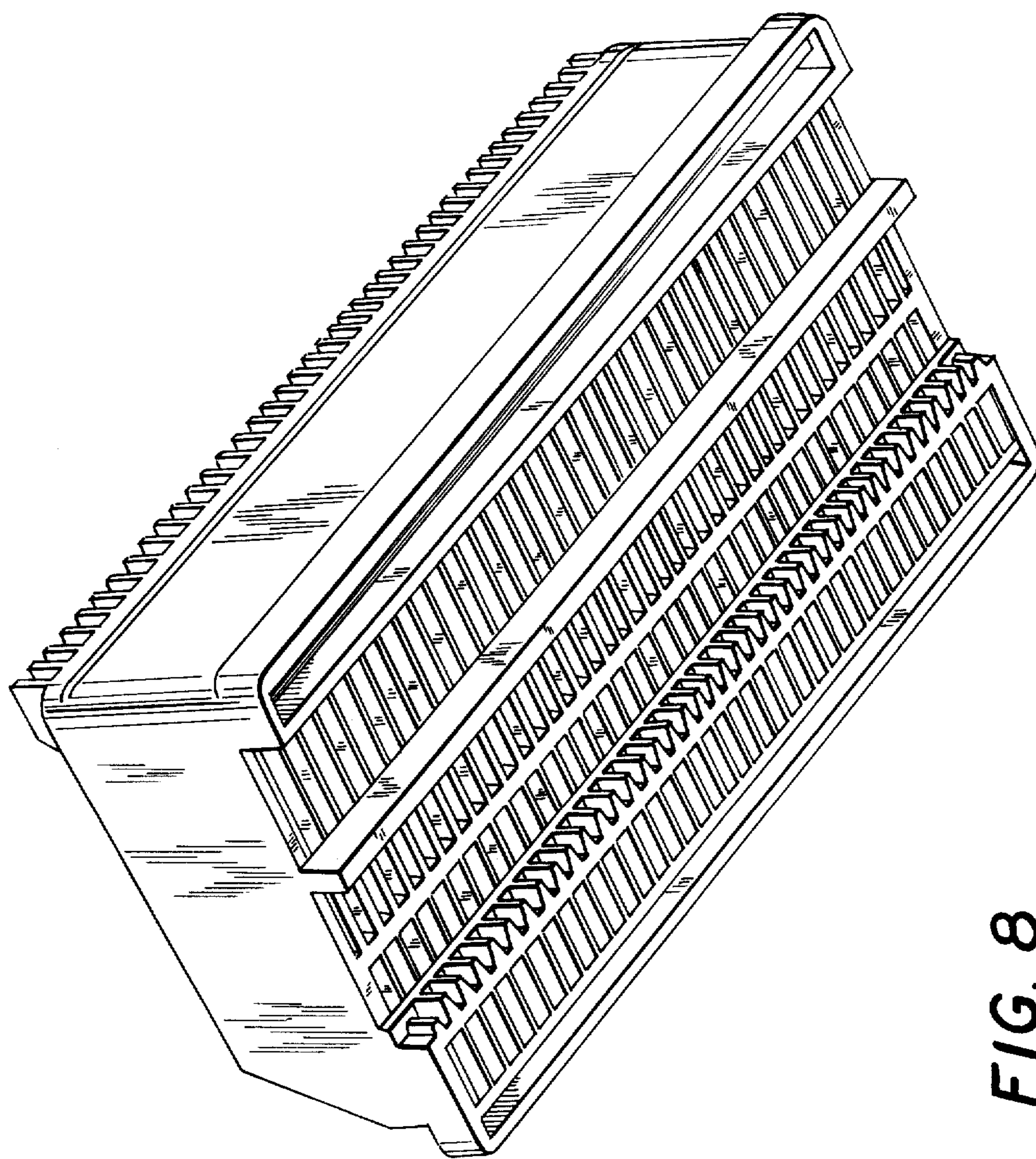


FIG. 8

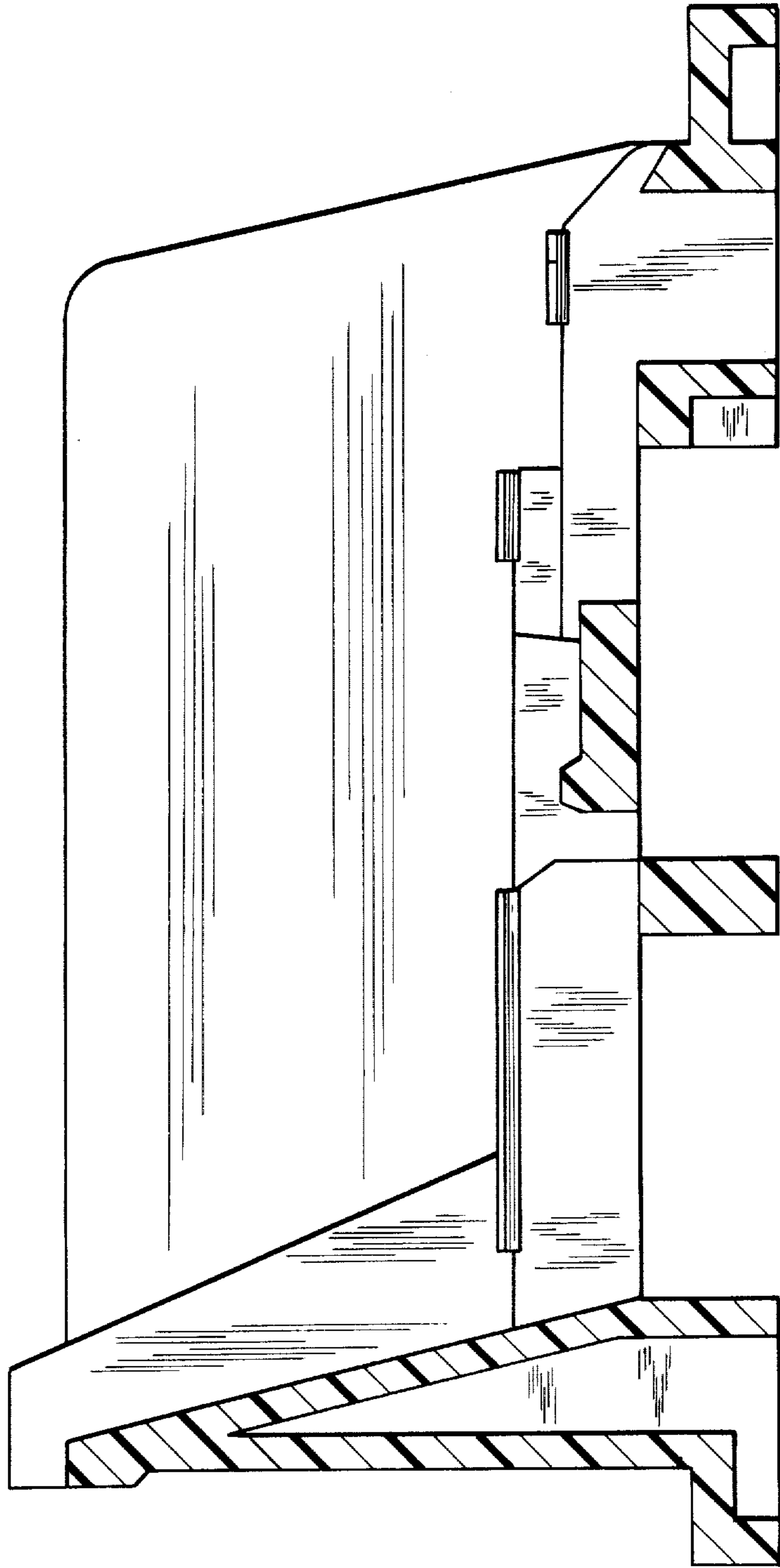


FIG. 9