

[54] CONTROL UNIT FOR A VEHICULAR TWO-WAY FM RADIO OR SIMILAR ARTICLE

[75] Inventor: Albert L. Nagele, Wilmette, Ill.

[73] Assignee: Motorola, Inc., Schaumburg, Ill.

[**] Term: 14 Years

[21] Appl. No.: 249,527

[22] Filed: Mar. 31, 1981

[51] Int. Cl. D14-03

[52] U.S. Cl. D14/76; D14/7; D14/10; D14/68

[58] Field of Search D14/1, 7, 68, 70-76, D14/10

[56] References Cited

U.S. PATENT DOCUMENTS

- D. 229,943 1/1974 Artner et al. D14/7
- D. 254,373 3/1980 Ohta D14/7 X
- D. 260,520 9/1981 Nagele D14/7 X

OTHER PUBLICATIONS

Evans 1979-1980 Cat., Merchandiser's Association,

Inc., Chicago, © 1979, p. 262x, Item #3, Pioneer TP-727 Player.

Evans 1979-1980 Cat., Merchandiser's Association, Inc. Chicago, ©1979, p. 263yx, Item #14, Pioneer KP-272 Player.

Primary Examiner—Jane E. Corrigan

Attorney, Agent, or Firm—Donald B. Southard; Edward M. Roney; James W. Gillman

[57] CLAIM

The ornamental design for a control unit for a vehicular two-way FM radio or similar article, substantially as shown and described.

DESCRIPTION

FIG. 1 is a front, top and right side perspective view of a control unit for a vehicular two-way FM radio or similar article showing my new design in full lines, with the broken line matter being for illustrative purposes only and forming no part of the claimed design;

FIG. 2 is a front elevational view thereof; and

FIG. 3 is a view similar to FIG. 1 of a second embodiment of a control unit for a vehicular two-way FM radio or similar article showing my new design, wherein additional visual display windows and push buttons are included on the left.

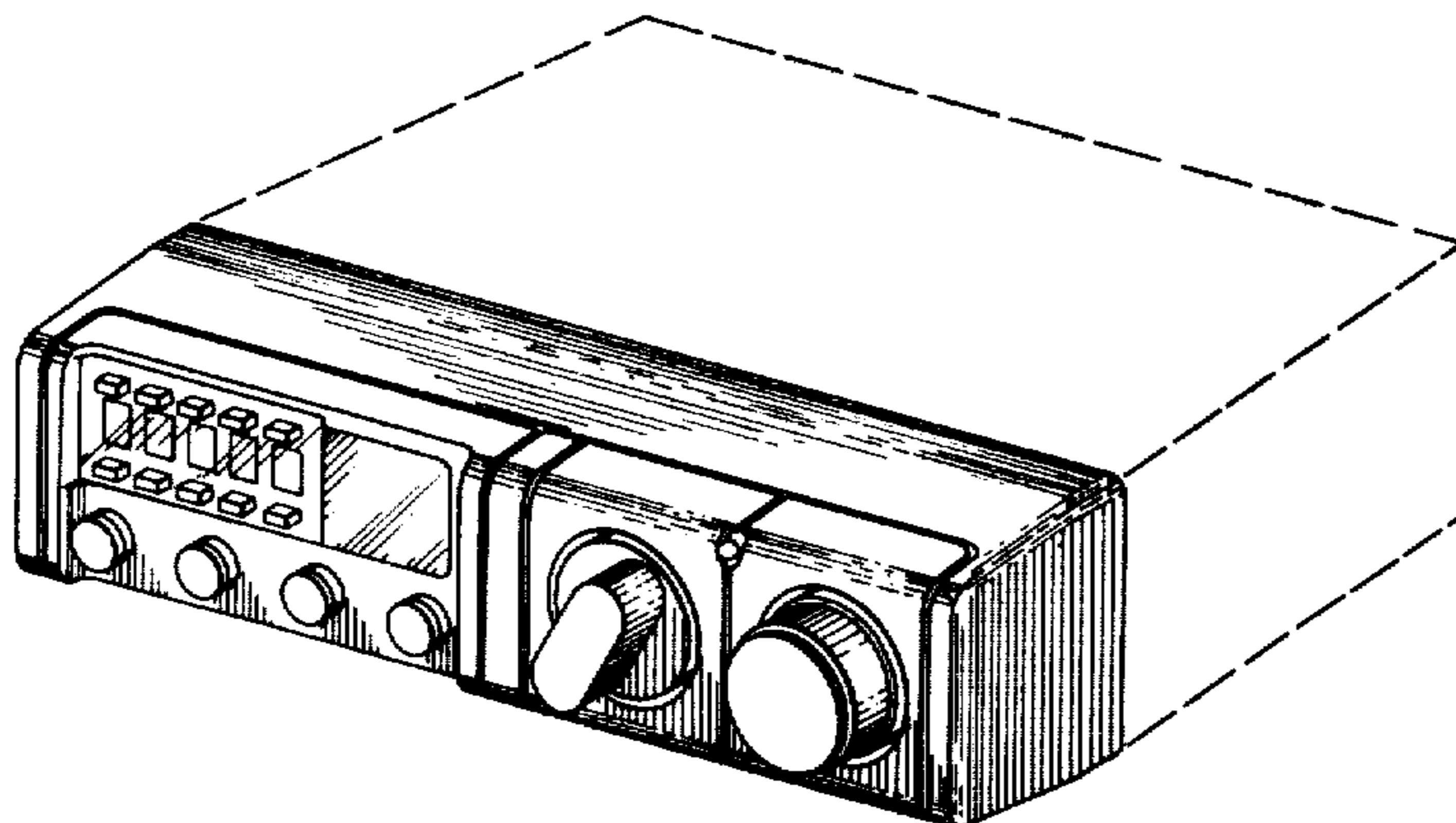
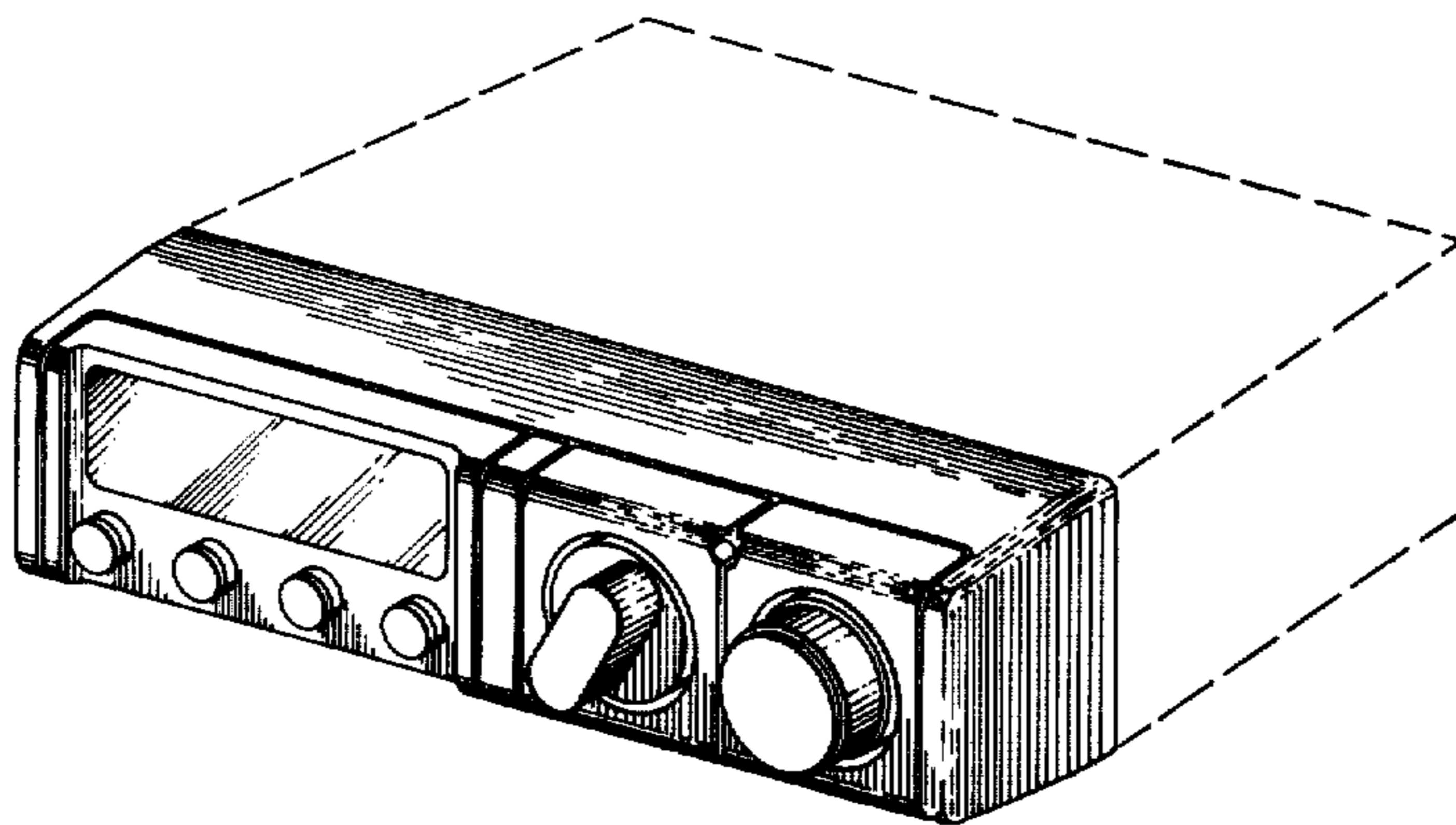


Fig. 1

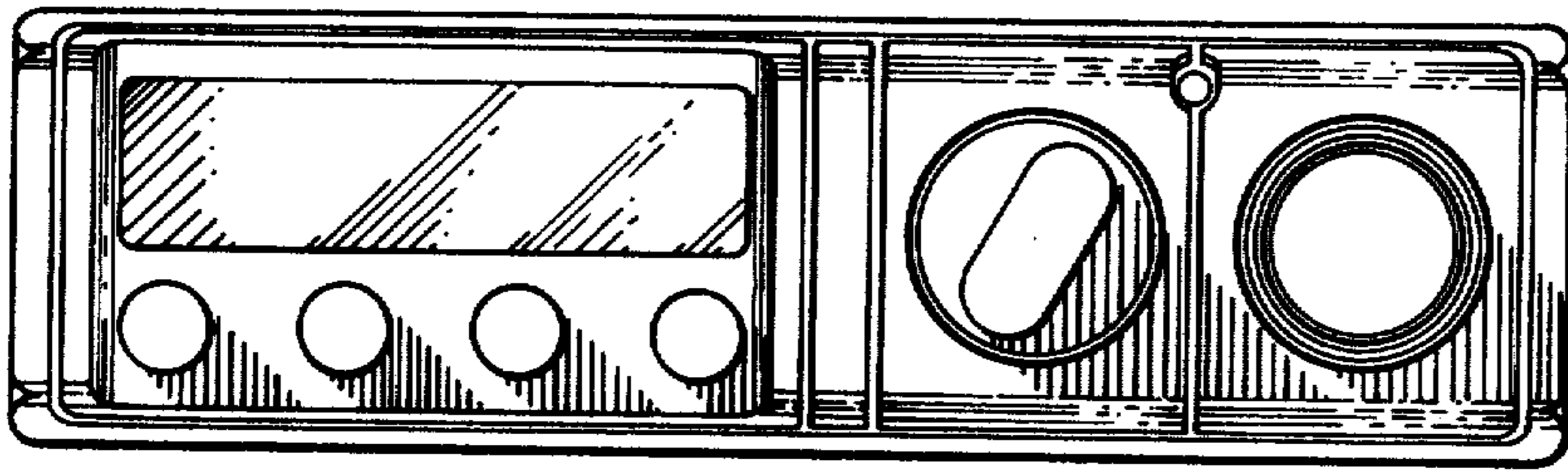
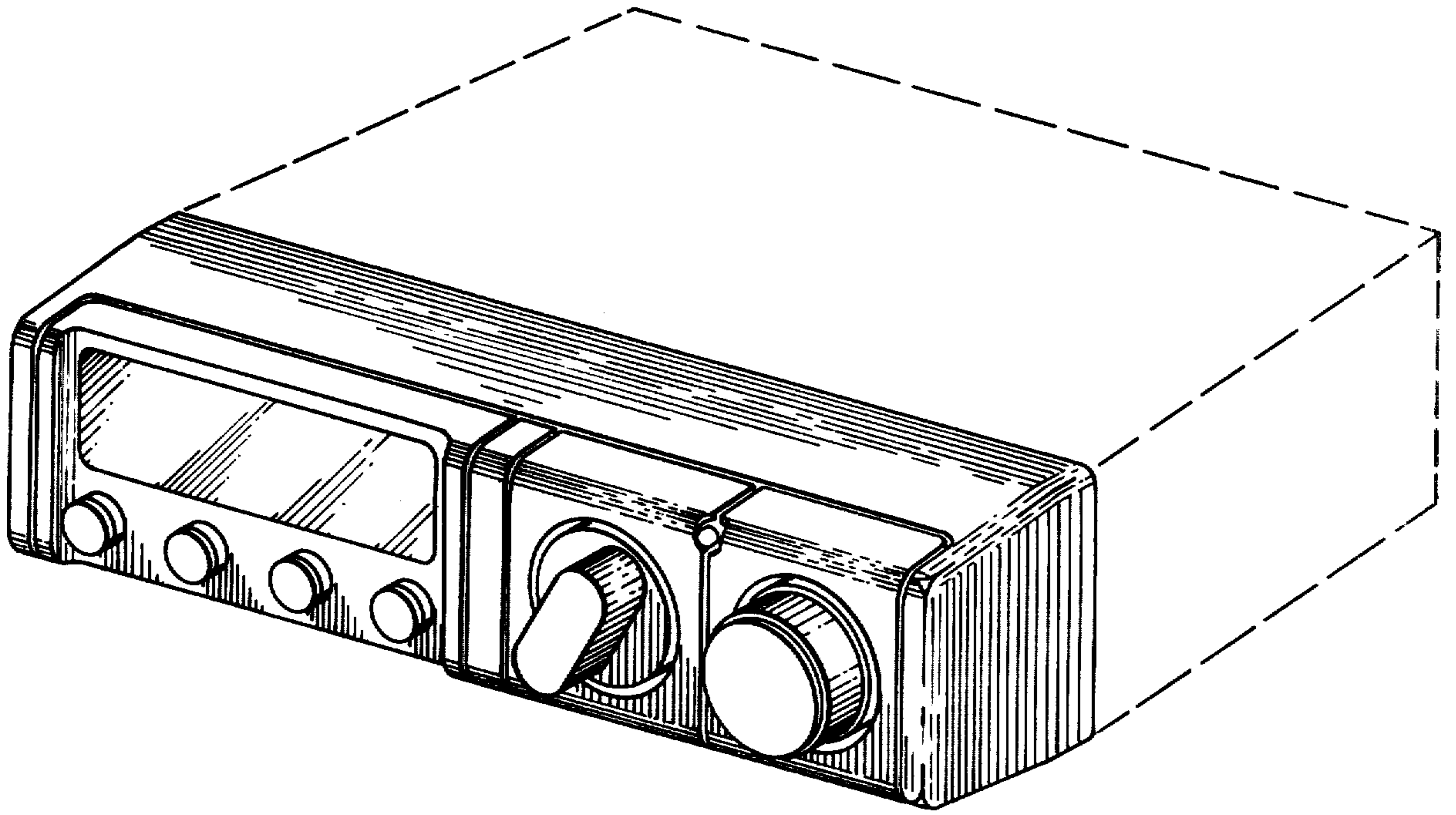


Fig. 2

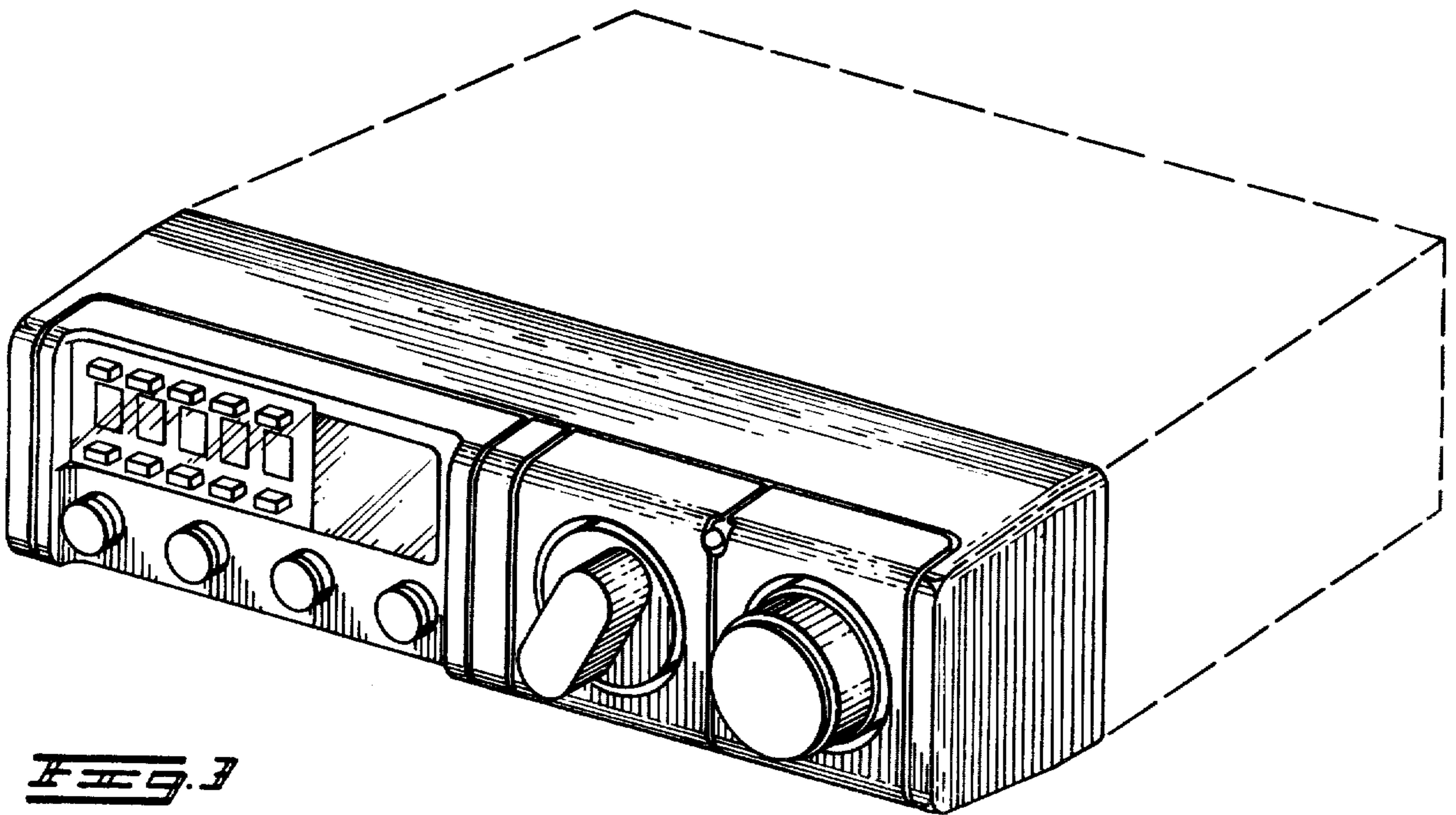


Fig. 3