

[54] AUXILIARY TELEPHONE CRADLE

[76] Inventors: Jeffrey D. Stein; George A. Saer, both of 3528 Merrimac Ave., San Diego, Calif. 92117

[**] Term: 14 Years

[21] Appl. No.: 234,991

[22] Filed: Feb. 17, 1981

[51] Int. Cl. D14-03

[52] U.S. Cl. D14/59; D14/53

[58] Field of Search D14/59, 60, 53; 179/100 D, 178, 179, 146 R, 185

[56] References Cited

U.S. PATENT DOCUMENTS

- D. 226,488 3/1973 Sinclair D14/59
- D. 248,950 8/1978 Vitacco D14/59

- D. 249,145 8/1978 Landau et al. D14/59
- 2,693,509 11/1954 Selee 179/146 R
- 3,013,128 12/1961 Lockard 179/146 R
- 4,337,381 6/1982 Stein 179/178

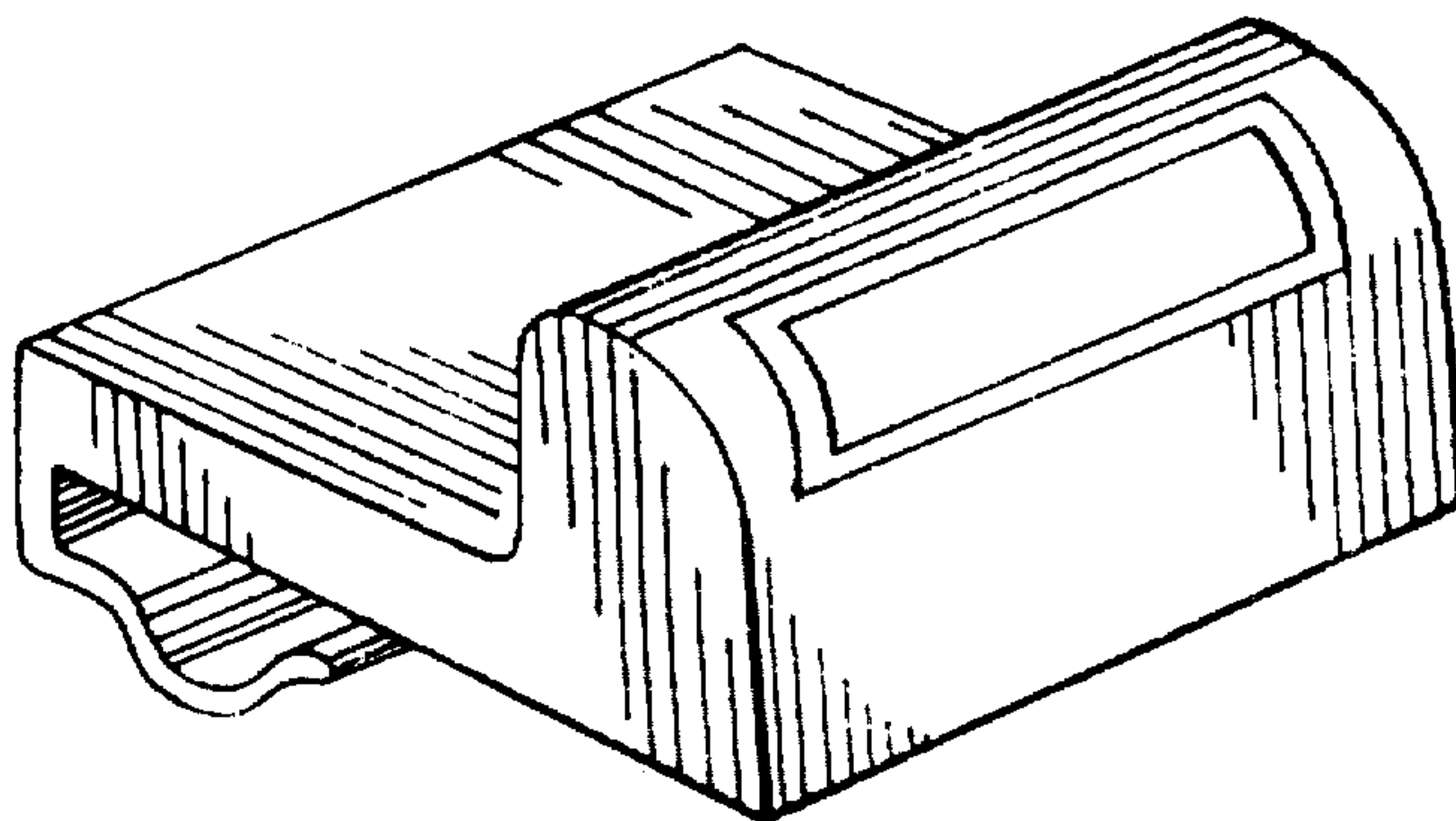
Primary Examiner—Bernard Ansher
Attorney, Agent, or Firm—Fischer, Tachner & Strauss

[57] CLAIM

The ornamental design for an auxiliary telephone cradle, as is shown and described.

DESCRIPTION

FIG. 1 is a top front perspective view of an auxiliary telephone cradle showing our new design; FIG. 2 is a front elevation thereof; FIG. 3 is a side elevation thereof; and FIG. 4 is a top front perspective view thereof; the broken lines representing the fragmentary portion of a telephone unit being shown for illustrative purposes only.



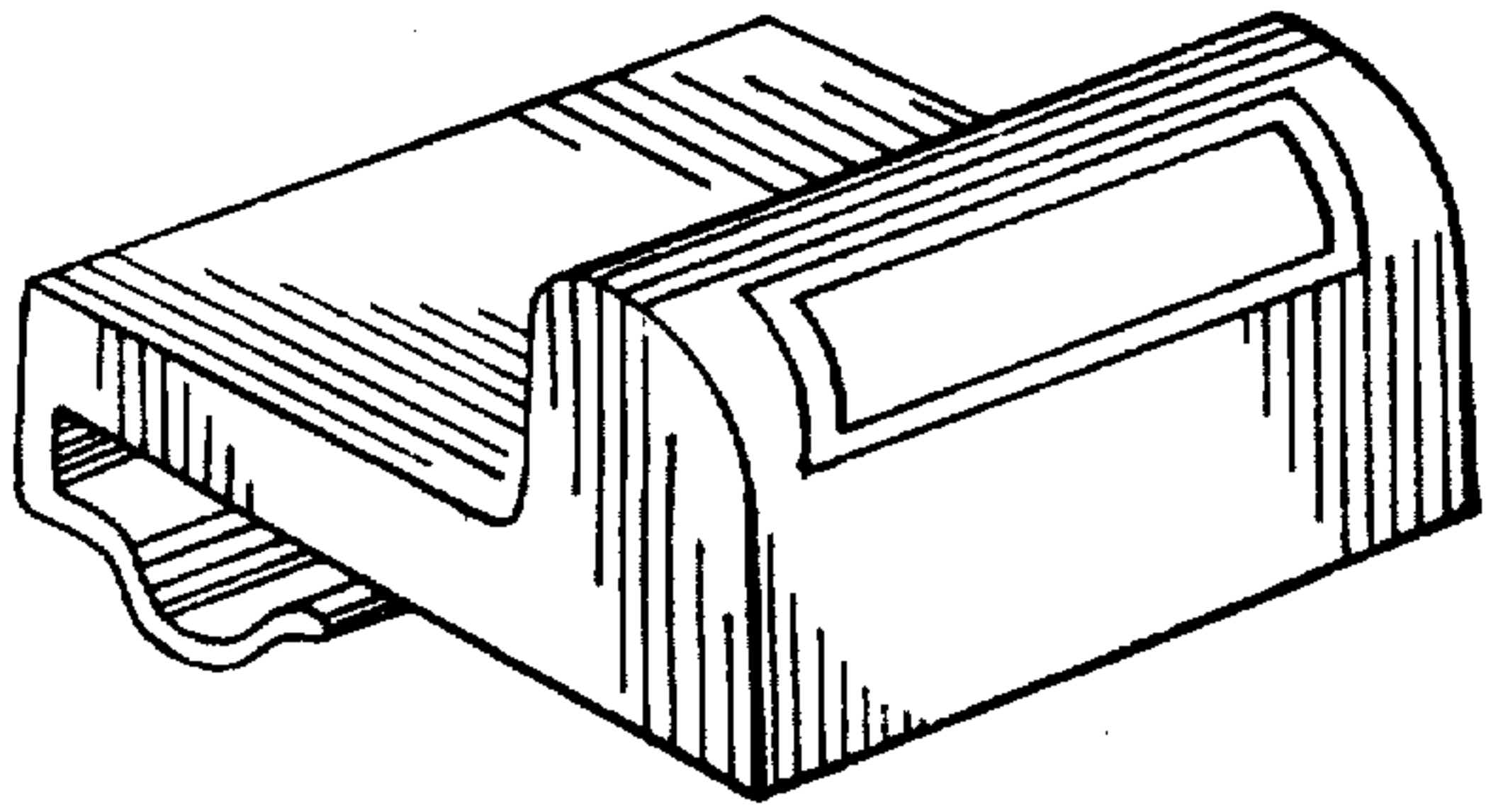


FIG. 1

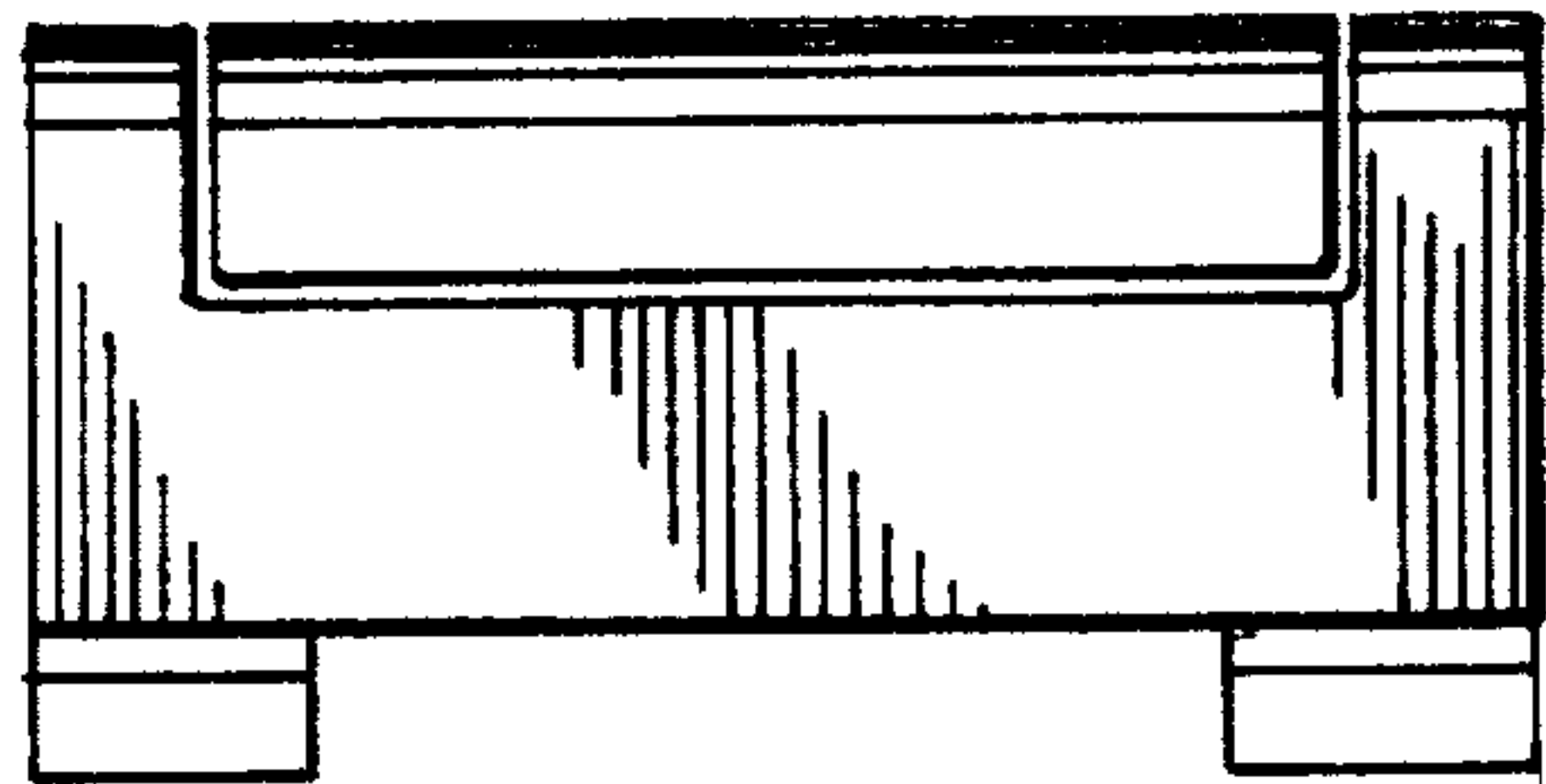


FIG. 2

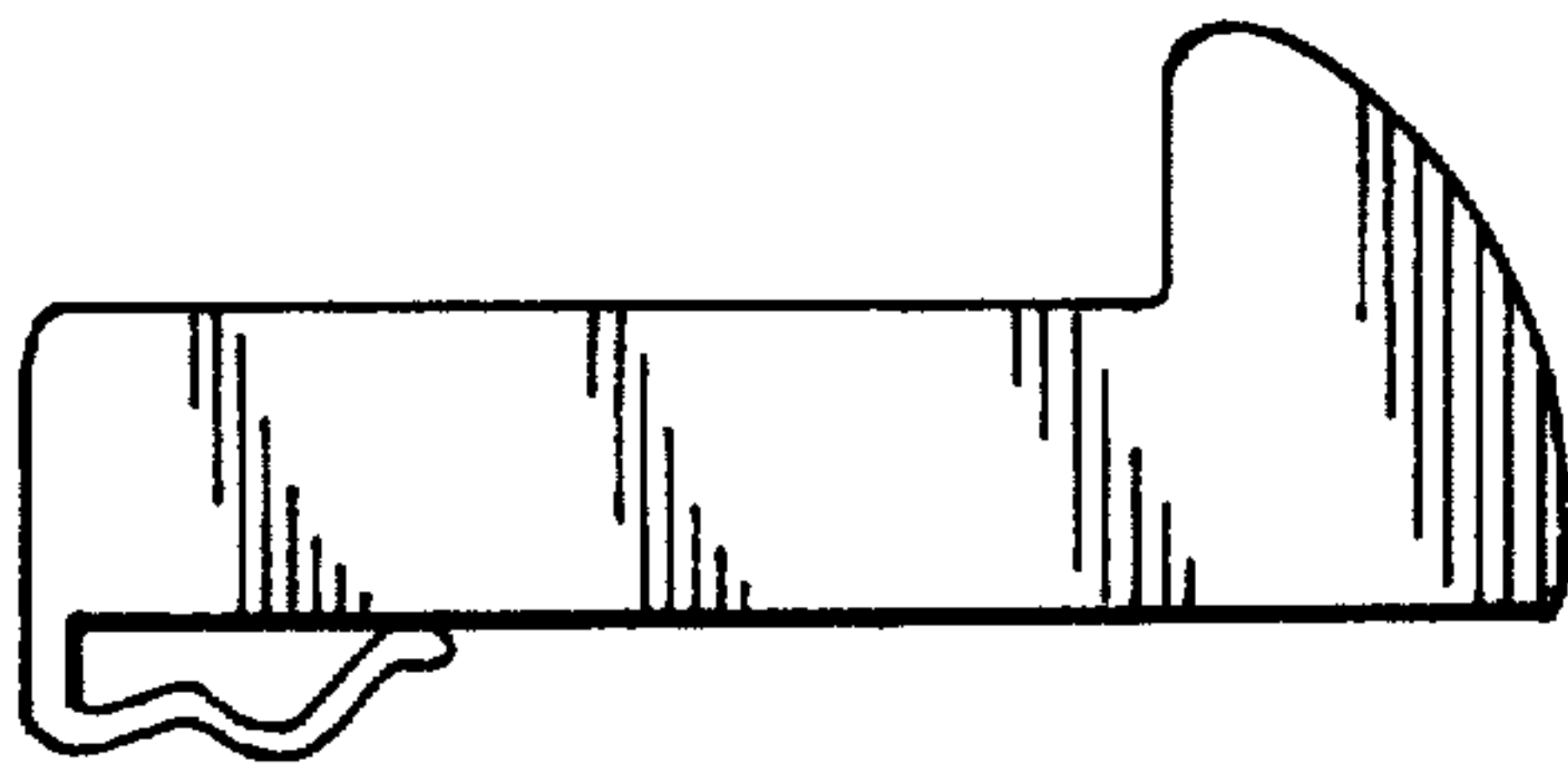


FIG. 3

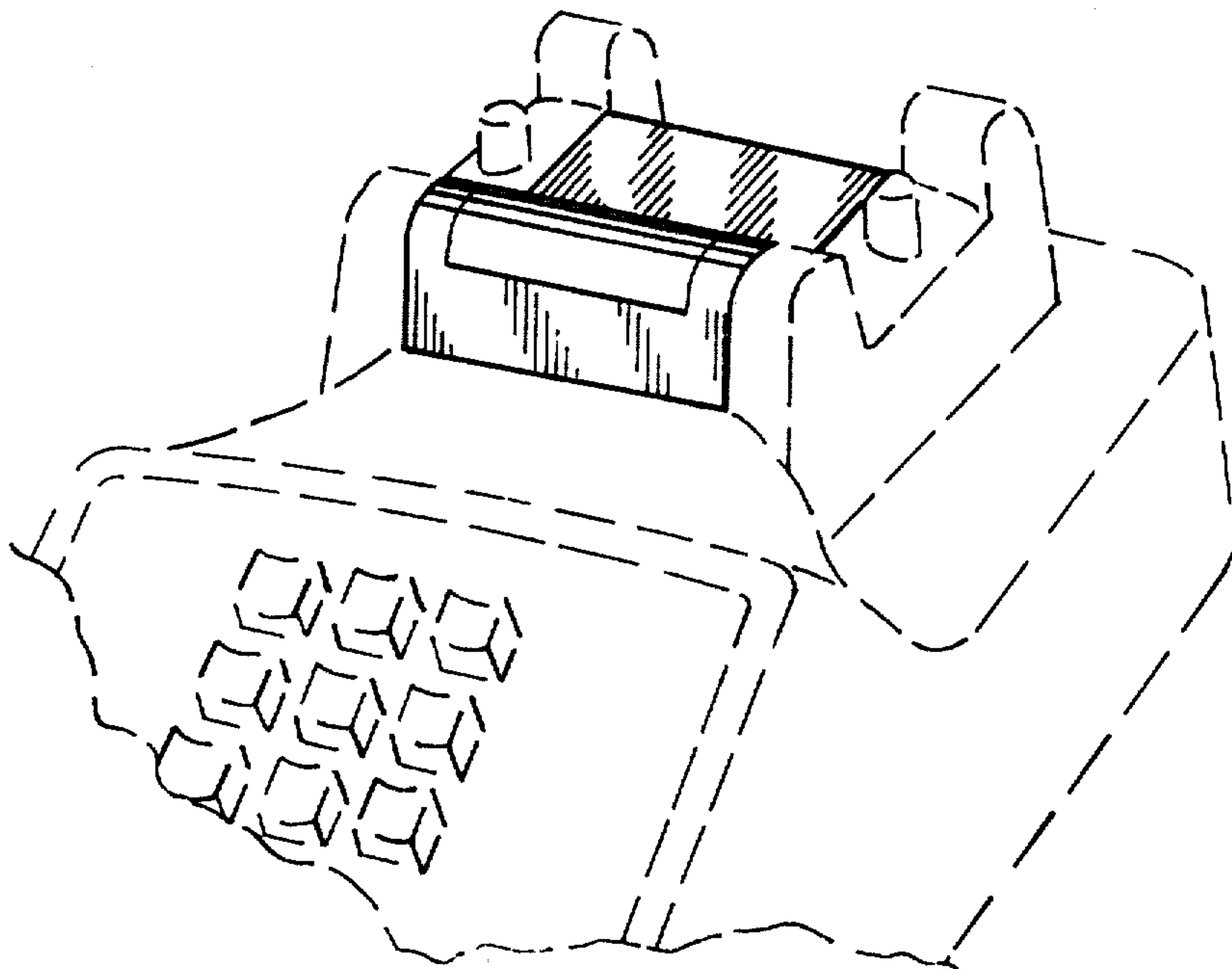


FIG. 4