

[54] **CALIPER BRAKE FOR BICYCLES**

[75] **Inventor:** Toshiharu Yoshigai, Higashi-Osaka, Japan

[73] **Assignee:** Yoshigai Kikai Kinzoku Kabushiki Kaisha, Osaka, Japan

[\*\*] **Term:** 14 Years

[21] **Appl. No.:** 290,673

[22] **Filed:** Aug. 24, 1981

[30] **Foreign Application Priority Data**  
Feb. 26, 1981 [JP] Japan ..... 56-28288

[51] **Int. Cl.** ..... D12-11

[52] **U.S. Cl.** ..... D12/179

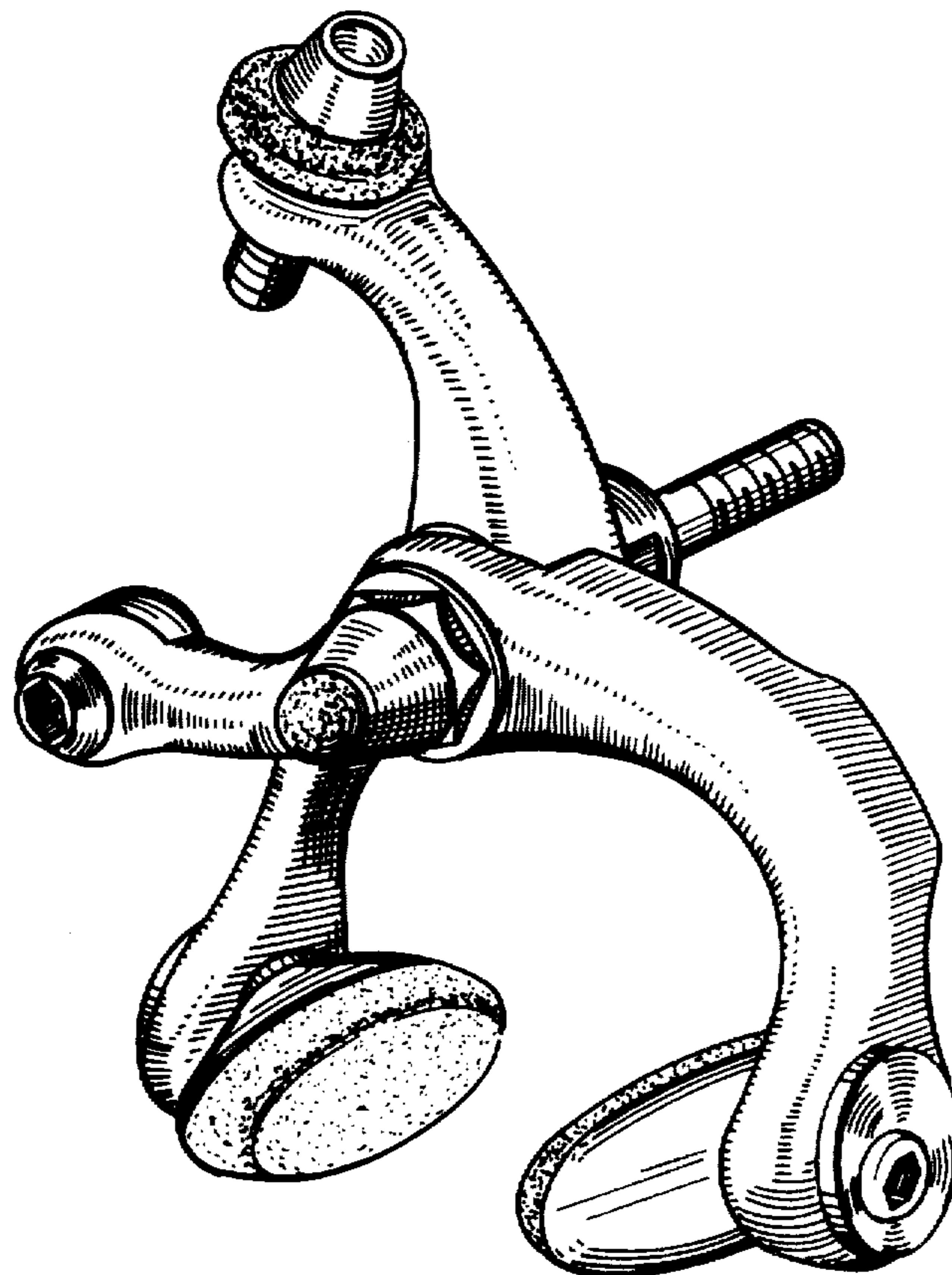
[58] **Field of Search** ..... D12/179; 188/24.12, 188/24.19, 24.21, 24.22

[56] **References Cited**  
**U.S. PATENT DOCUMENTS**  
D. 245,245 8/1977 Lauzier ..... D12/179

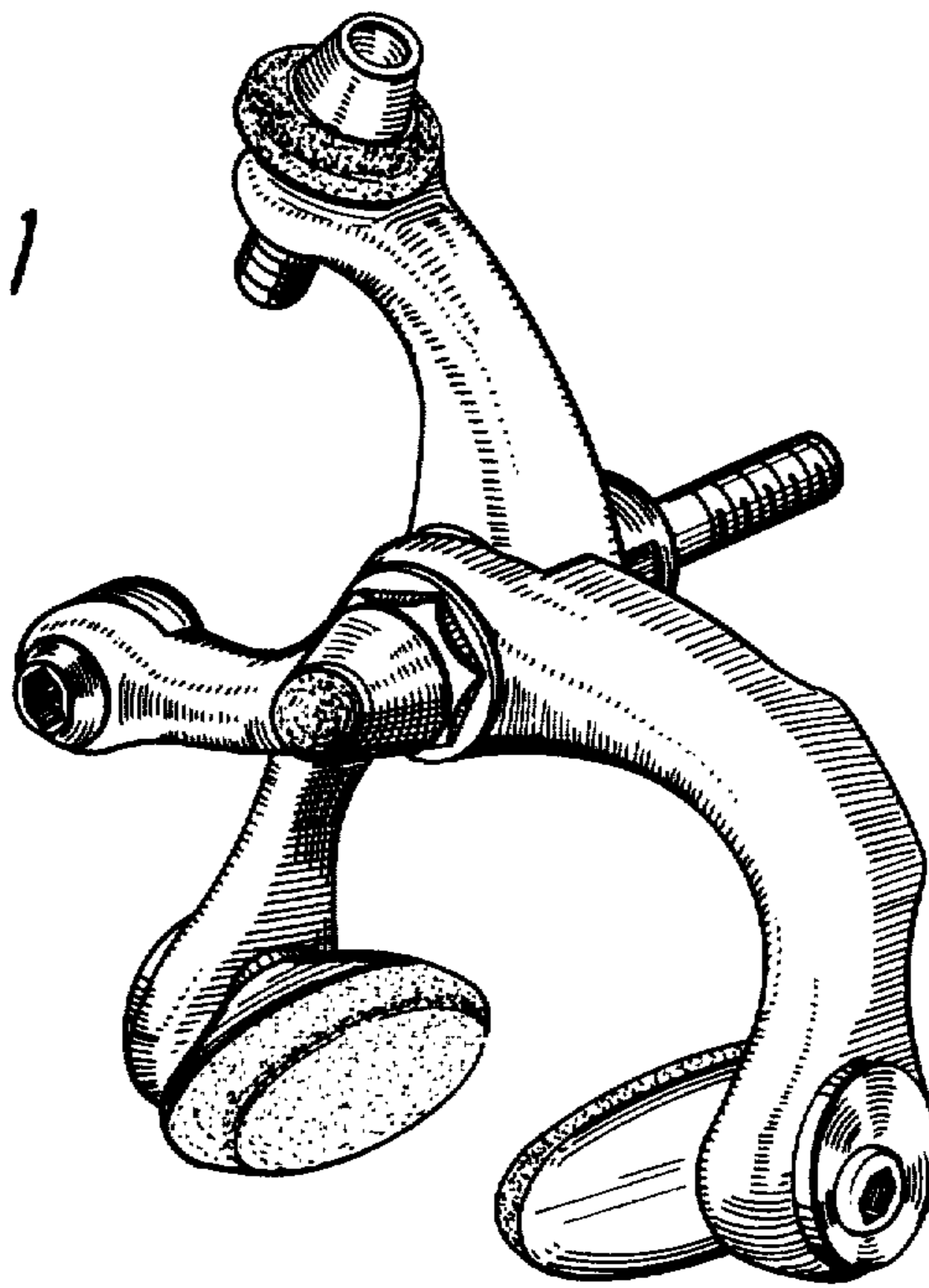
**OTHER PUBLICATIONS**  
Universal Racing Brakes Flyer, Model 77.  
*Primary Examiner*—James M. Gandy  
*Attorney, Agent, or Firm*—Koda and Androlia

[57] **CLAIM**  
The ornamental design for a caliper brake for bicycles, as shown and described.

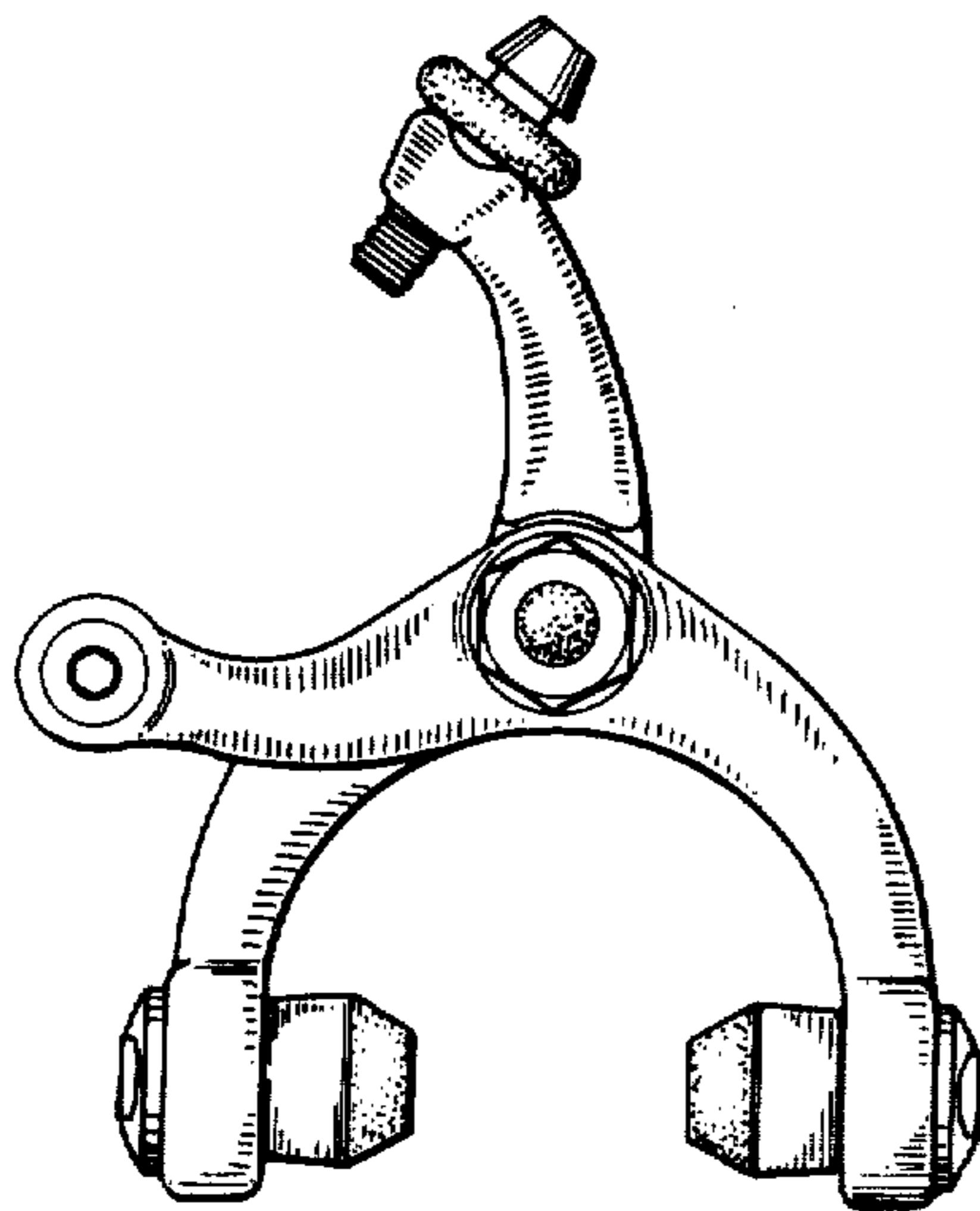
**DESCRIPTION**  
FIG. 1 is a perspective view of the caliper brake for bicycles showing my new design;  
FIG. 2 is a front elevational view thereof;  
FIG. 3 is a rear elevational view thereof;  
FIG. 4 is a top plan view thereof;  
FIG. 5 is a bottom plan view thereof;  
FIG. 6 is a right side elevational view thereof; and  
FIG. 7 is a left side elevational view thereof.



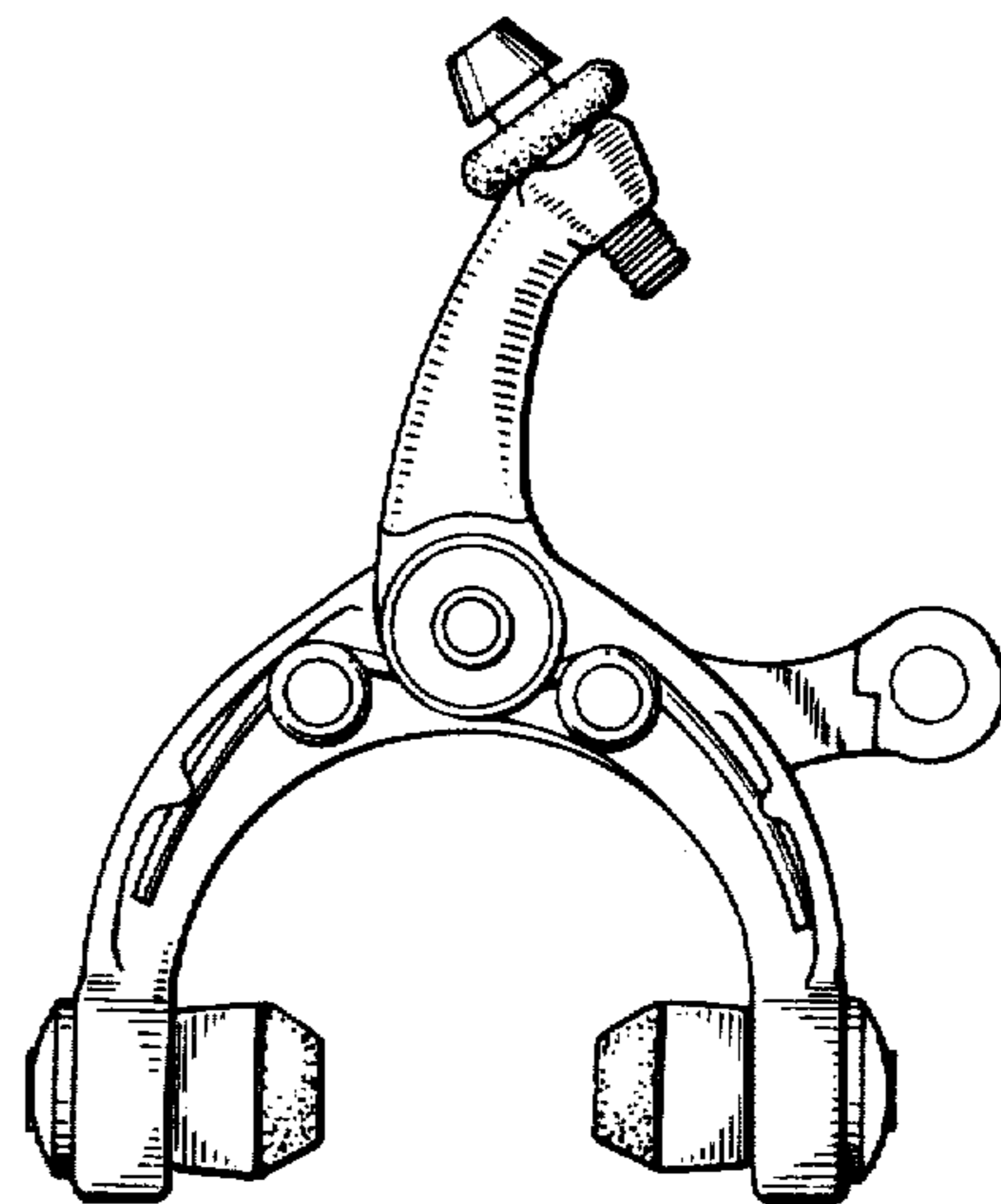
*Fig.1*



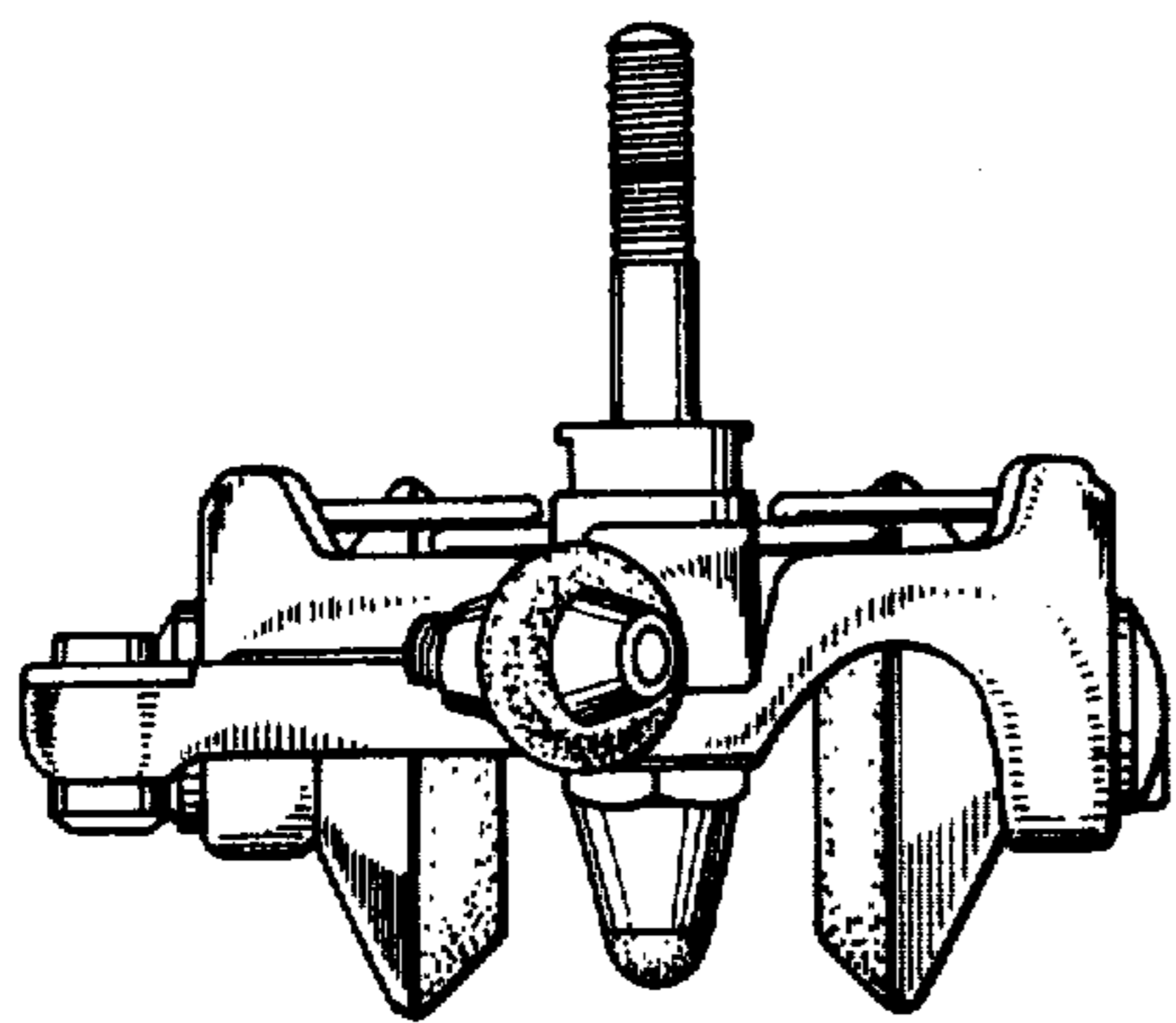
*Fig.2*



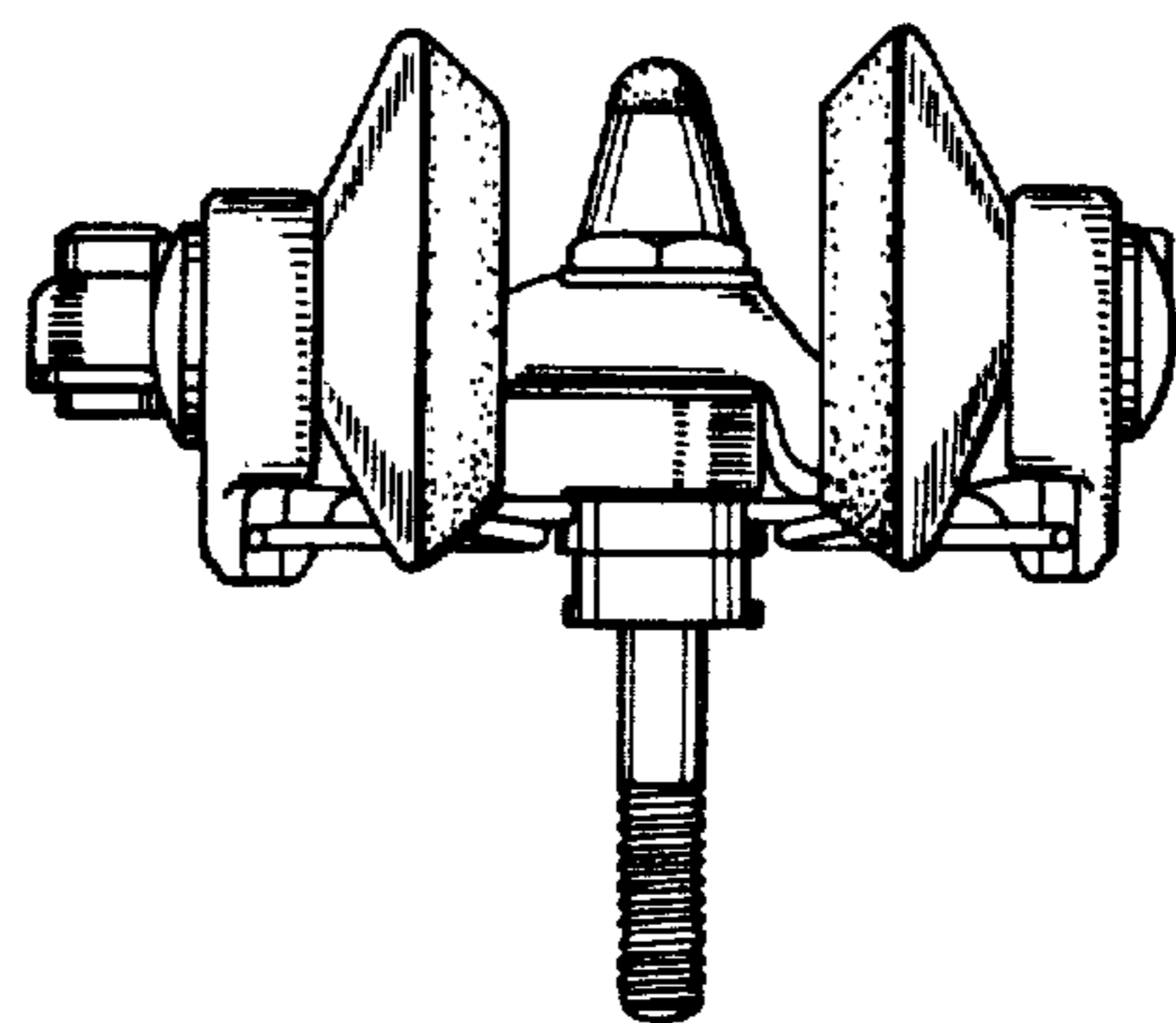
*Fig.3*



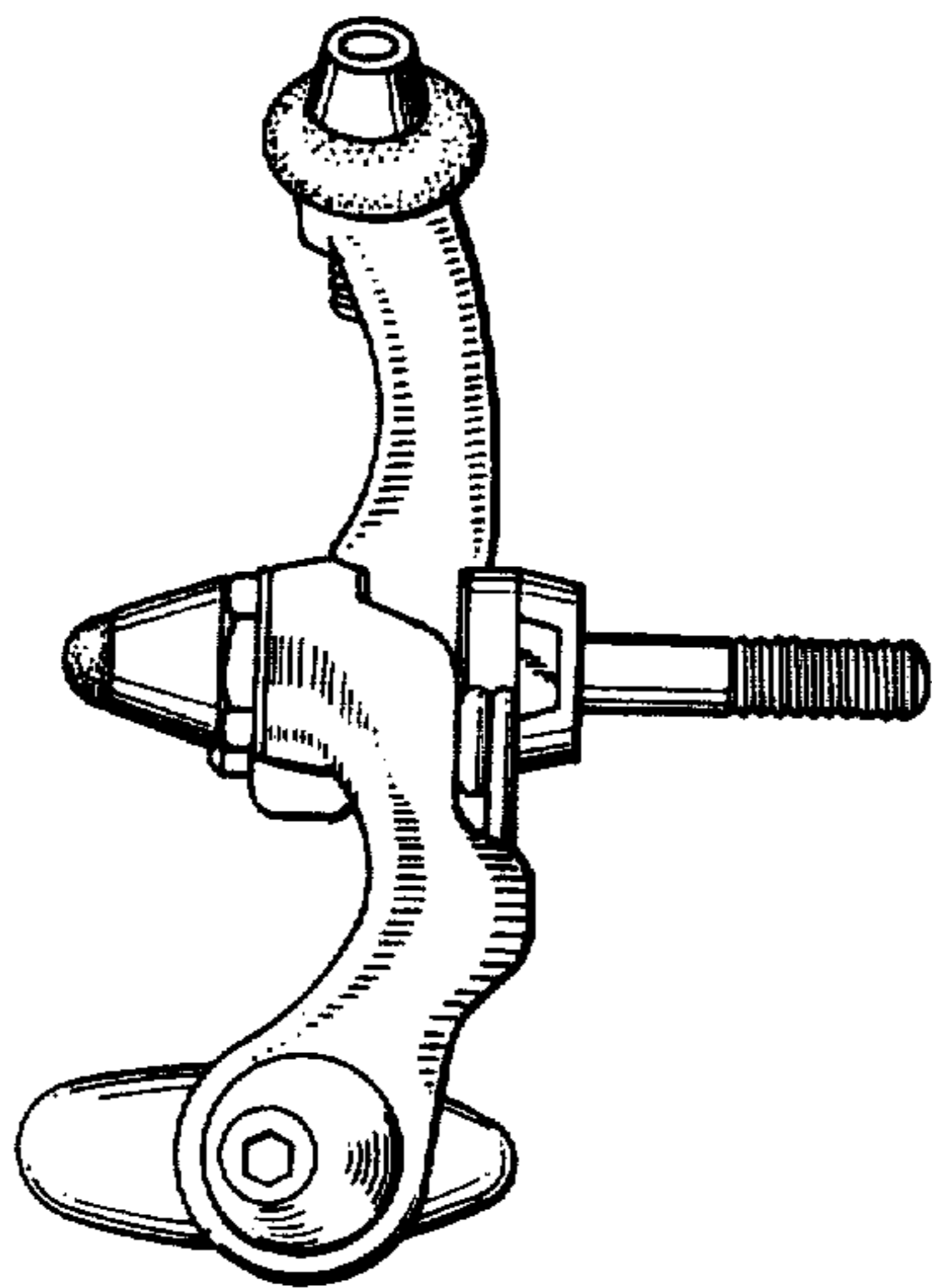
*Fig.4*



*Fig.5*



*Fig.6*



*Fig.7*

