

[54] **WHEEL SHOCK ABSORBER**

[76] Inventor: **Lawrence A. Mulholland**, 416 Mara St., Ventura, Calif. 93004

[\*\*] Term: **14 Years**

[21] Appl. No.: **236,665**

[22] Filed: **Feb. 23, 1981**

[51] Int. Cl. .... **D12-16**  
[52] U.S. Cl. .... **D12/159**  
[58] Field of Search ..... **D12/159, 161; 280/721, 280/269, 267**

[56]

**References Cited**

**U.S. PATENT DOCUMENTS**

2,884,259 4/1959 Snodgrass ..... 280/269  
4,186,935 2/1980 Rudwick ..... 280/721

**OTHER PUBLICATIONS**

Motor Trend, 1/77, p. 2, Wheel Testing Device, top center of page.

*Primary Examiner*—James M. Gandy  
*Attorney, Agent, or Firm*—John J. Posta, Jr.

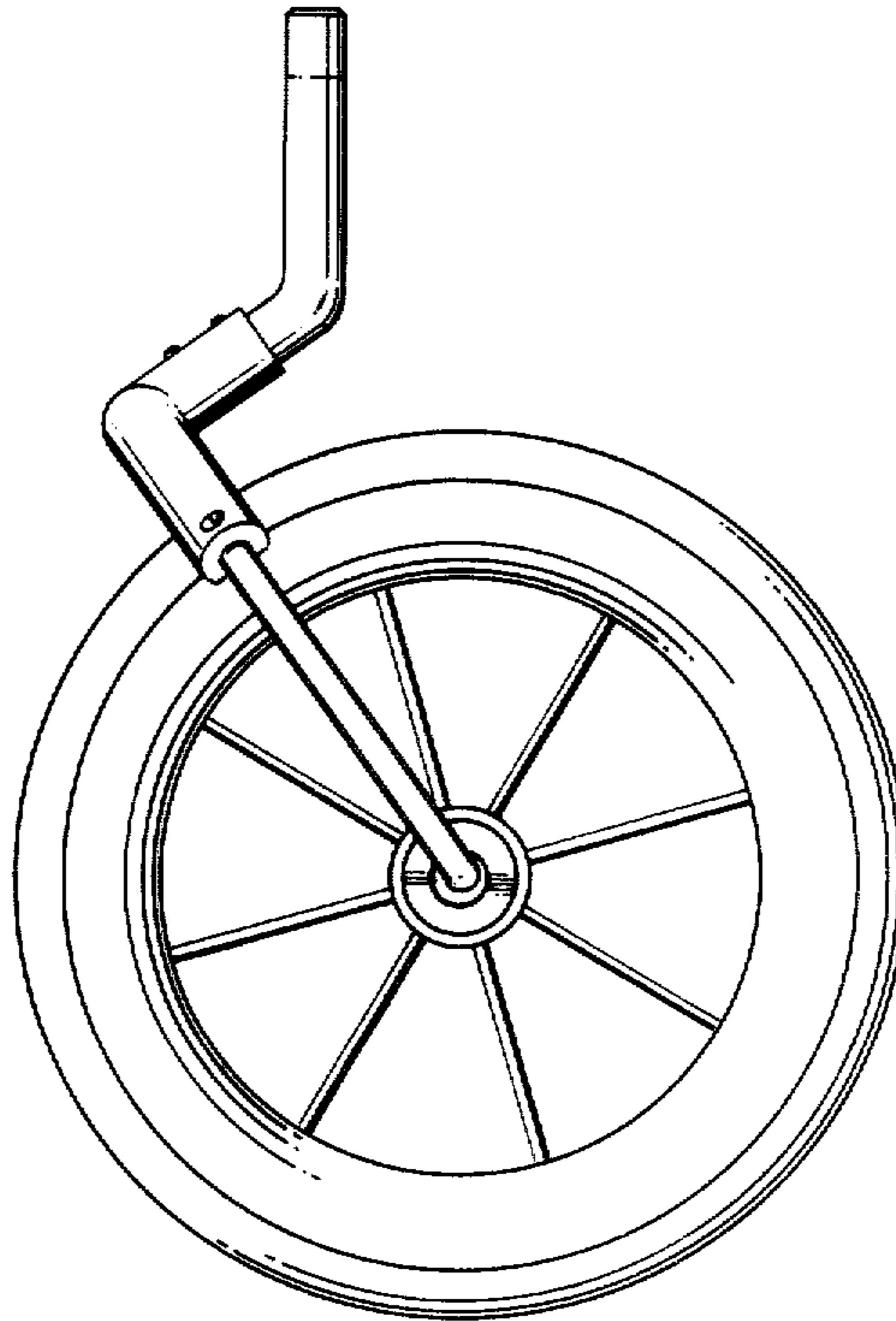
[57]

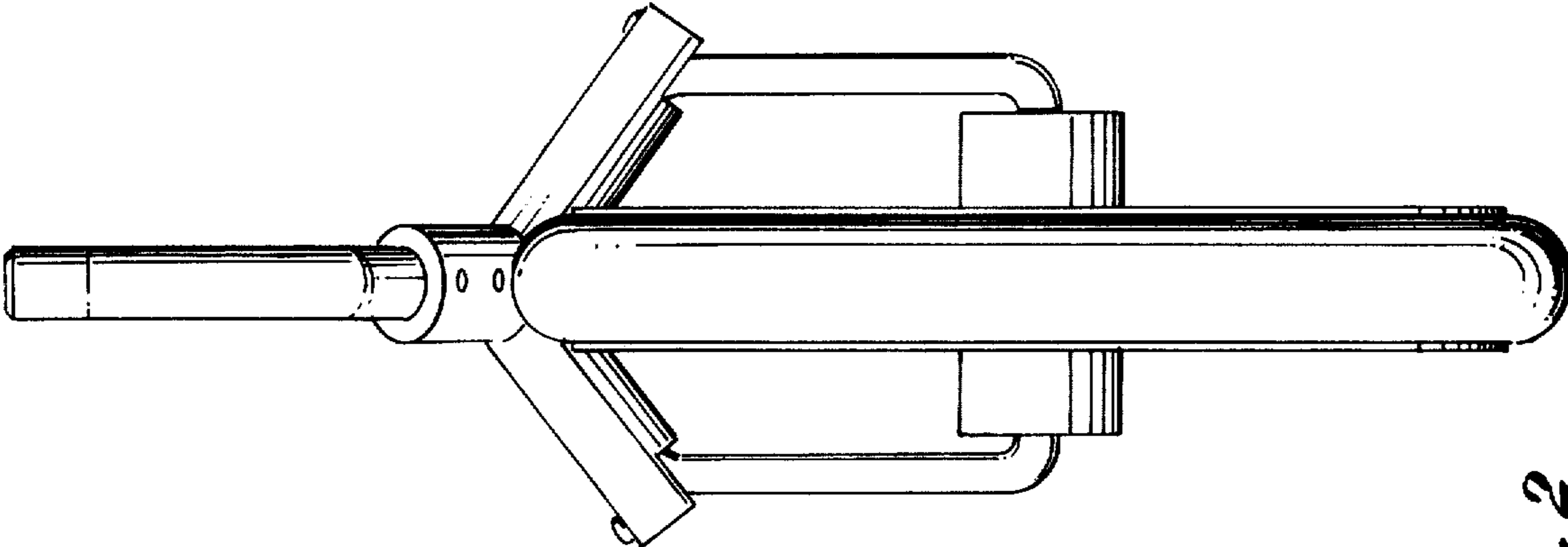
**CLAIM**

The ornamental design for a wheel shock absorber, substantially as shown and described.

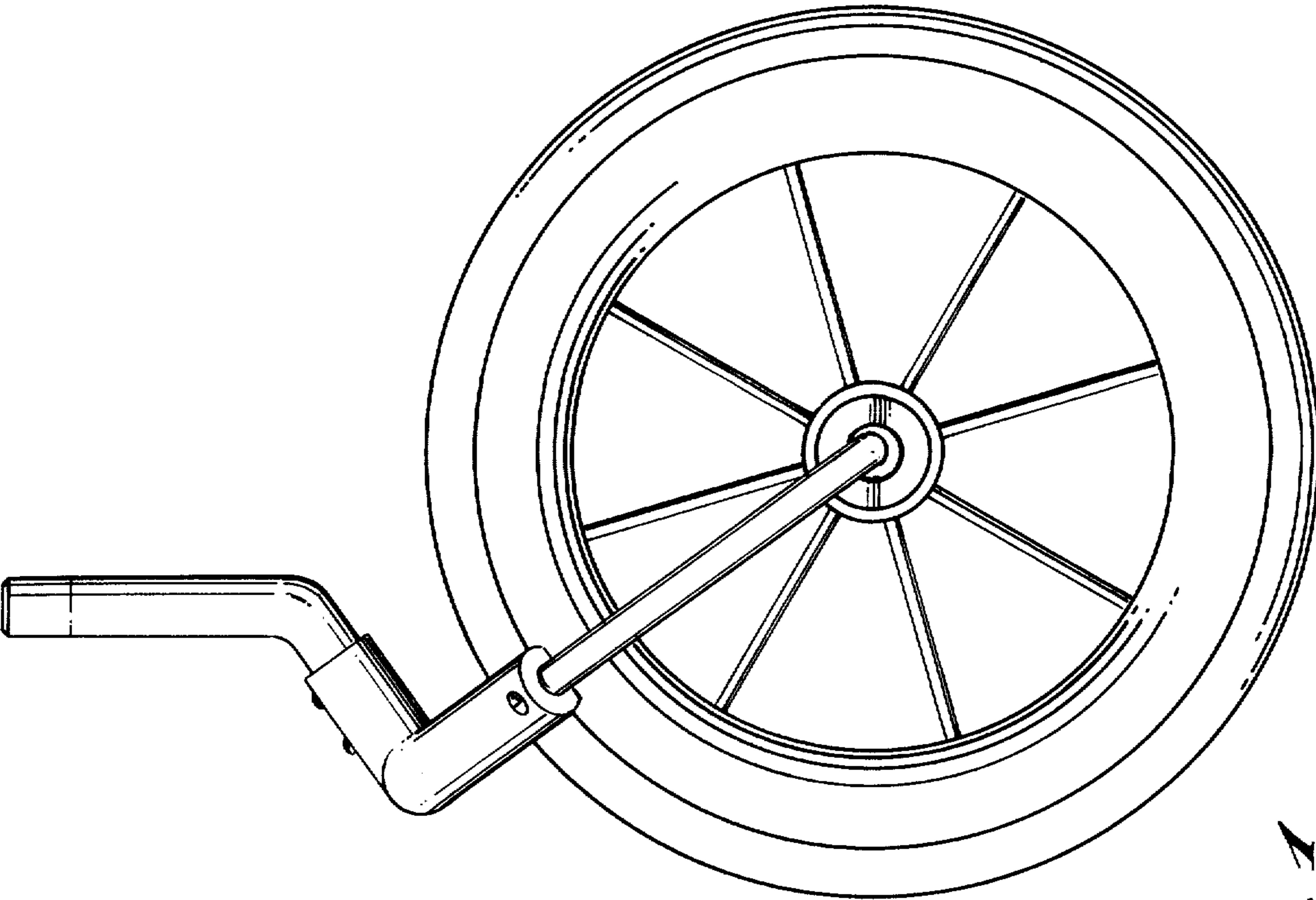
**DESCRIPTION**

FIG. 1 is a side elevational view of the wheel shock absorber showing my new design;  
FIG. 2 is a front elevational view of FIG. 1.





*Fig. 2*



*Fig. 1*