

[54] BABY CARRIAGE

[75] Inventor: **Kenzou Kassai**, Osaka, Japan

[73] Assignee: **Kassai Kabushiki Kaisha**, Osaka, Japan

[\*\*] Term: **14 Years**

[21] Appl. No.: **171,996**

[22] Filed: **Jul. 24, 1980**

[30] Foreign Application Priority Data

- Jan. 29, 1980 [JP] Japan ..... 55-2658
- Feb. 13, 1980 [JP] Japan ..... 55-5197
- Feb. 13, 1980 [JP] Japan ..... 55-5199

[51] Int. Cl. .... **D12-12**

[52] U.S. Cl. .... **D12/129**

[58] Field of Search ..... **D12/129; 280/47.38, 280/642, 644, 647, 650, 658; 297/45, 39**

[56] References Cited

U.S. PATENT DOCUMENTS

D. 212,325 10/1968 Korol ..... D12/129

- D. 254,906 5/1980 Nakao et al. .... D12/129
- D. 258,816 4/1981 Headley et al. .... D12/129
- 2,873,123 2/1959 Eppinger ..... D12/129
- 3,873,117 3/1975 Perego ..... 280/650

Primary Examiner—James M. Gandy  
Attorney, Agent, or Firm—W. G. Fasse; D. F. Gould

[57] CLAIM

The ornamental design for a baby carriage, as shown and described.

DESCRIPTION

FIG. 1 is a top perspective view of a baby carriage showing my new design;  
 FIG. 2 is a bottom perspective view thereof;  
 FIG. 3 is a left side elevational view thereof, the right side being a mirror image of that shown;  
 FIG. 4 is a front elevational view thereof;  
 FIG. 5 is a rear elevational view thereof;  
 FIG. 6 is a perspective view thereof in collapsed condition;  
 FIG. 7 is a perspective view thereof; and  
 FIG. 8 is a perspective view thereof with the seat in reclining condition.

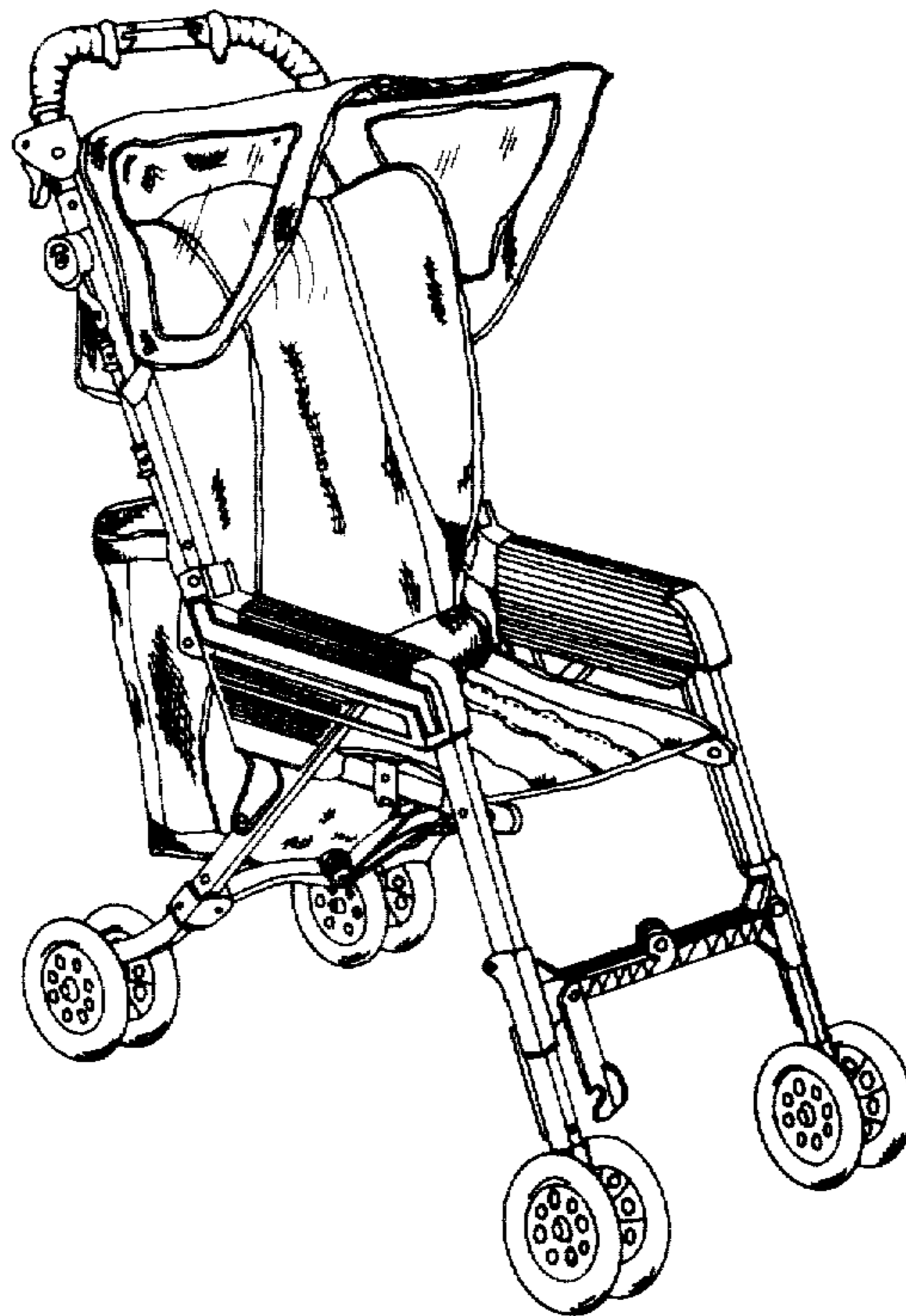


FIG. 1

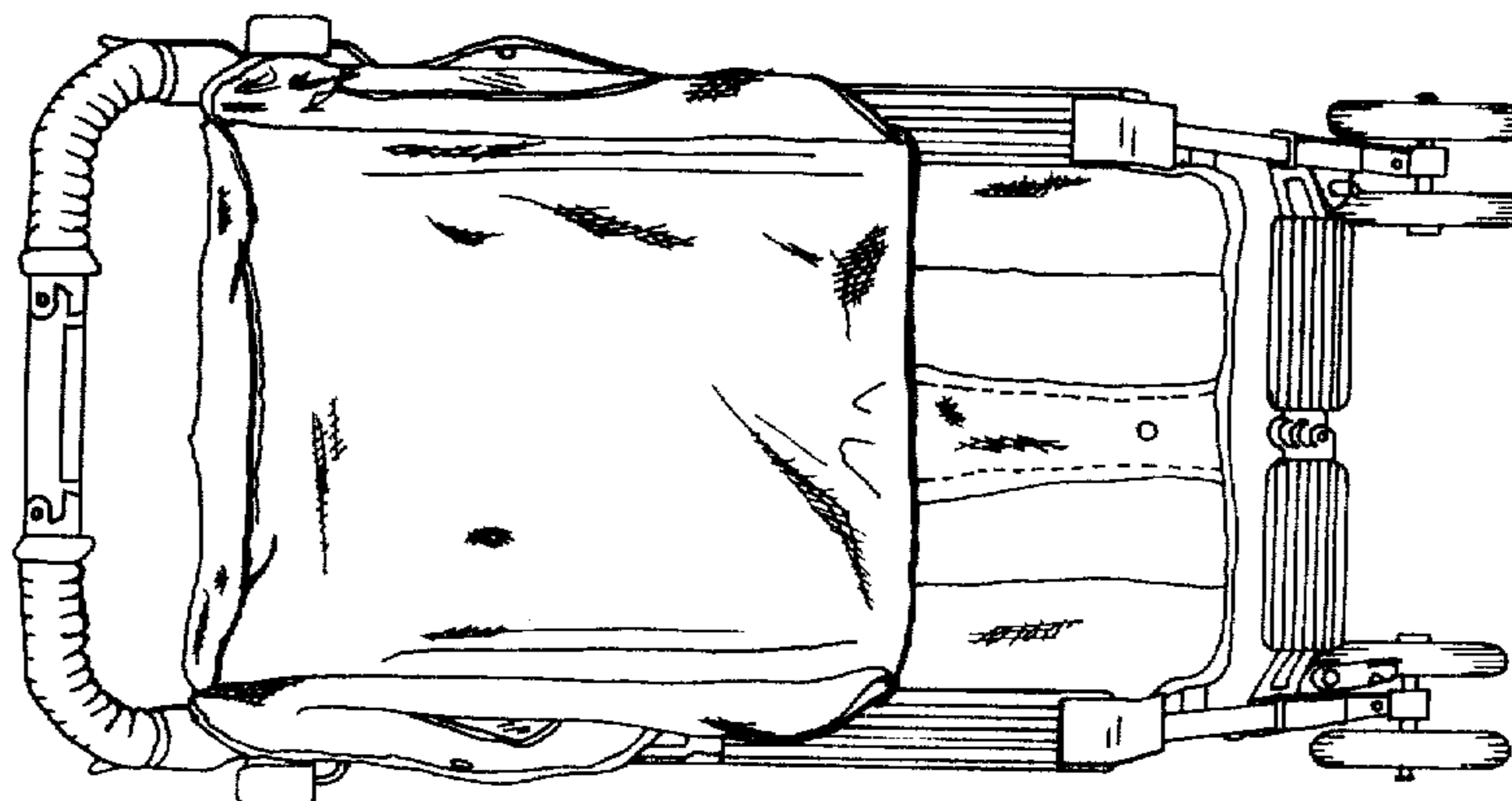


FIG. 2

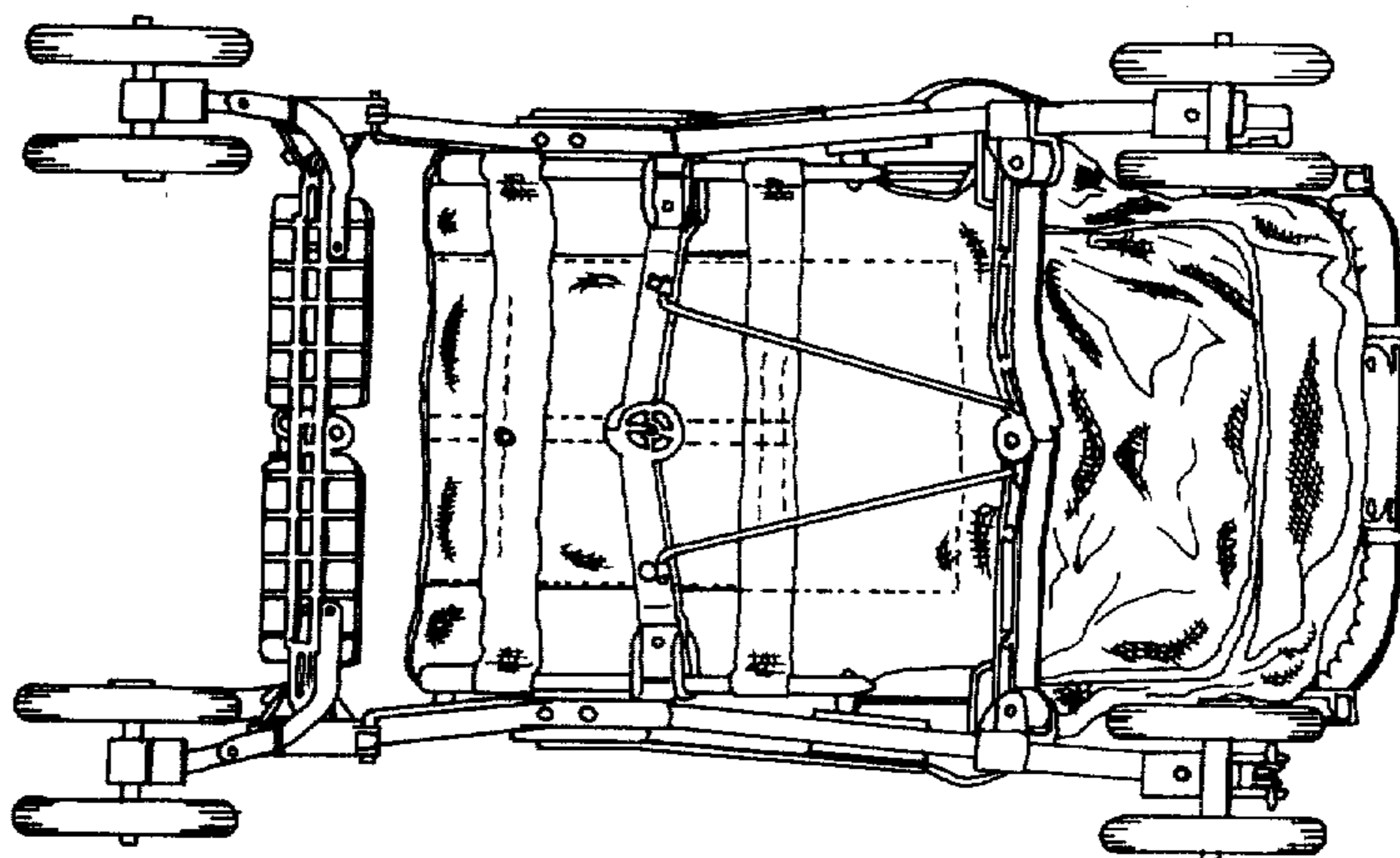
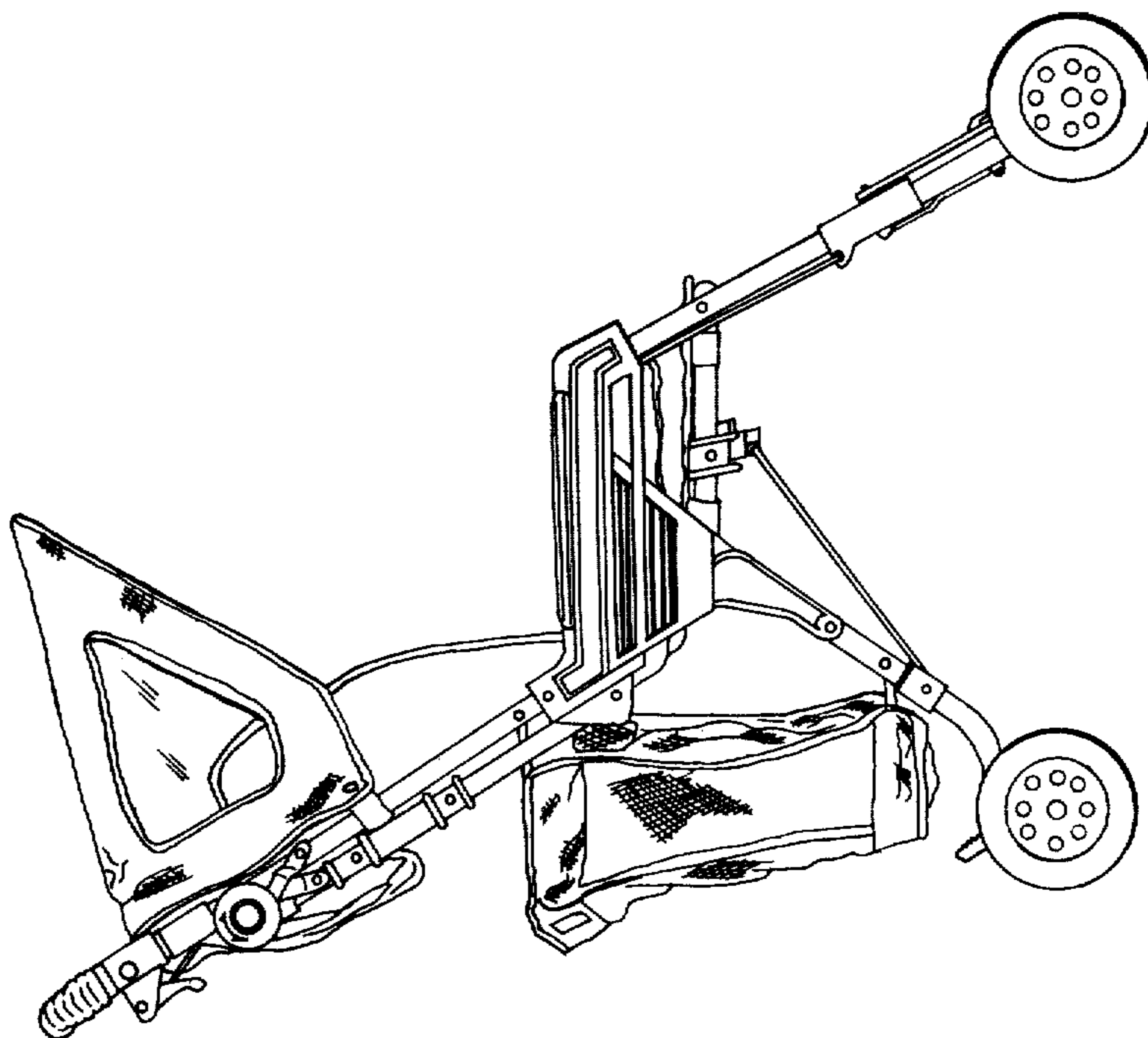


FIG. 3



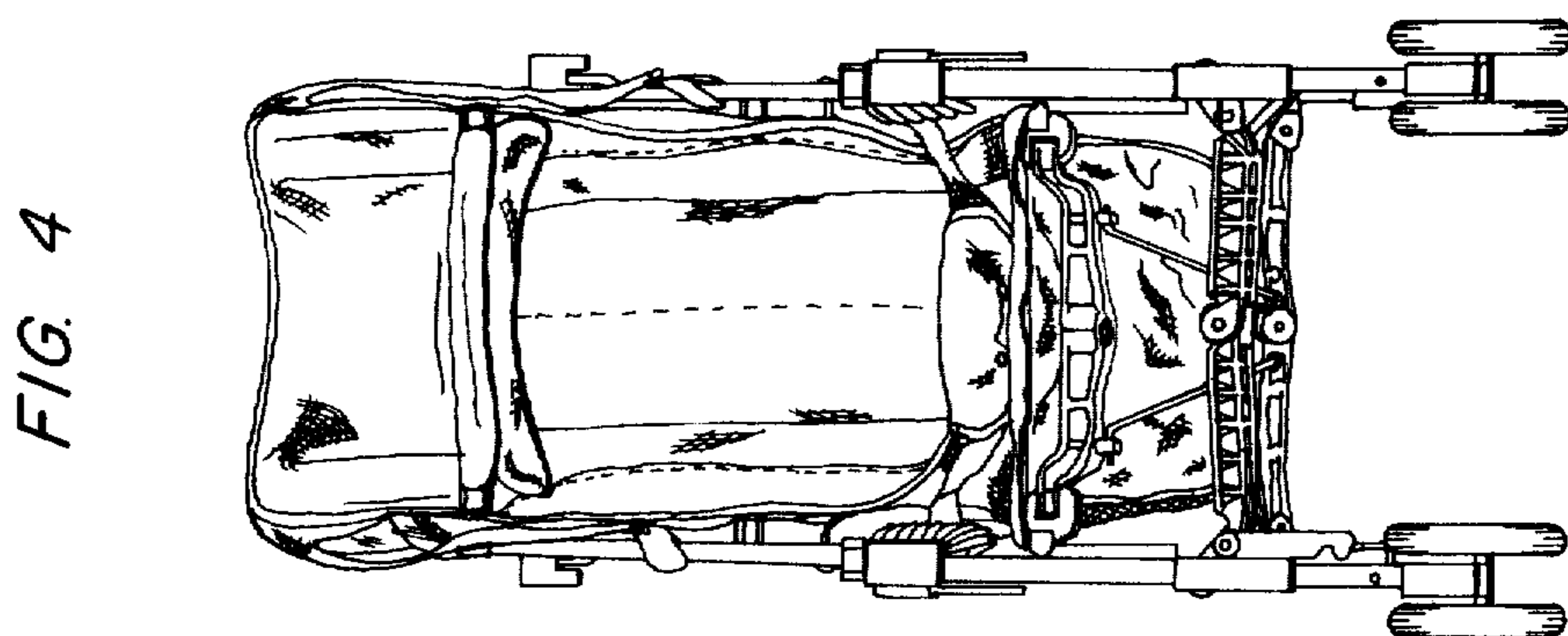
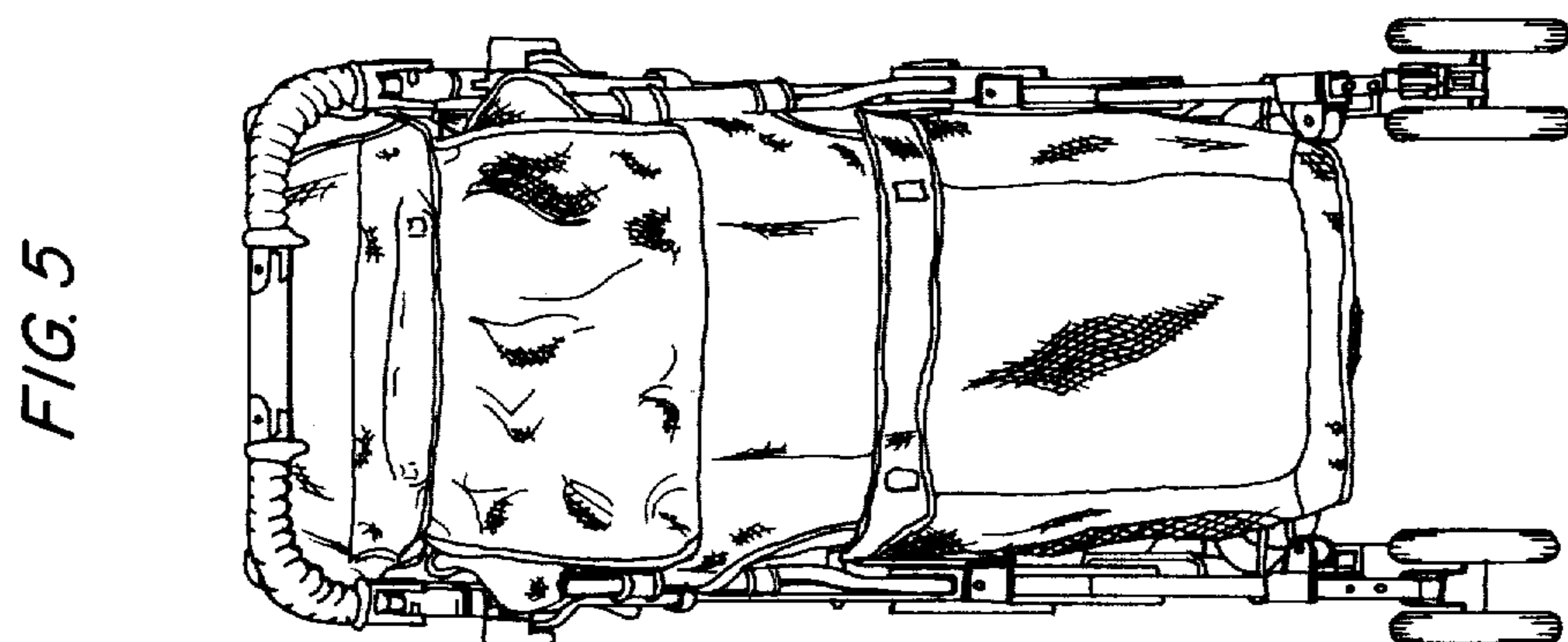
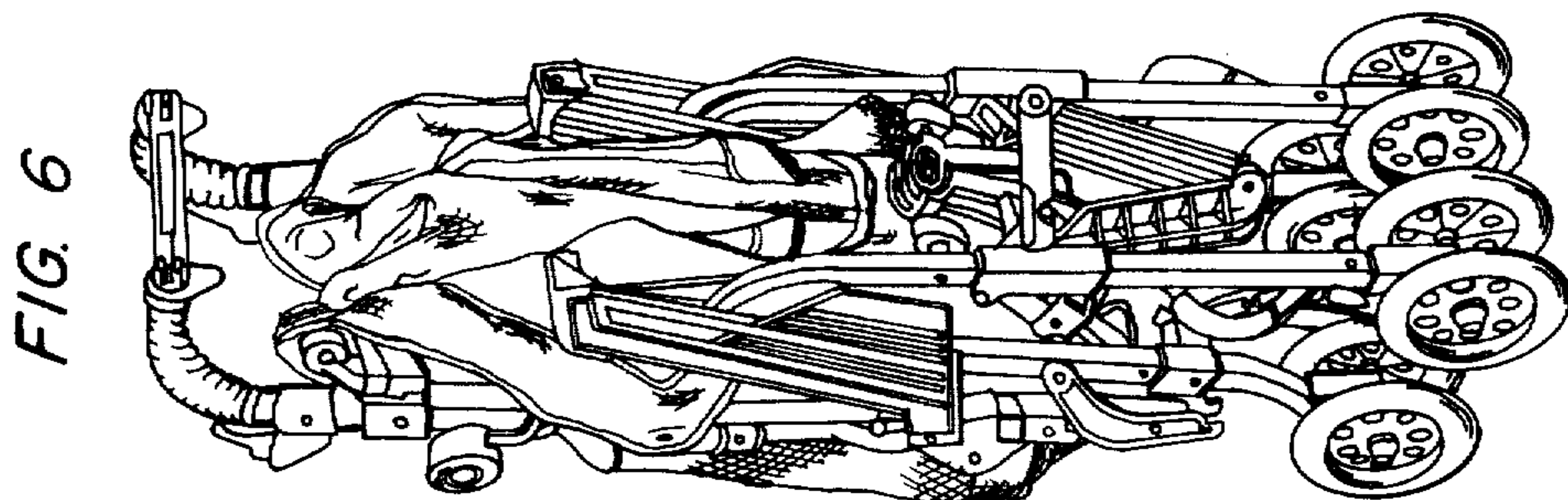




FIG. 8

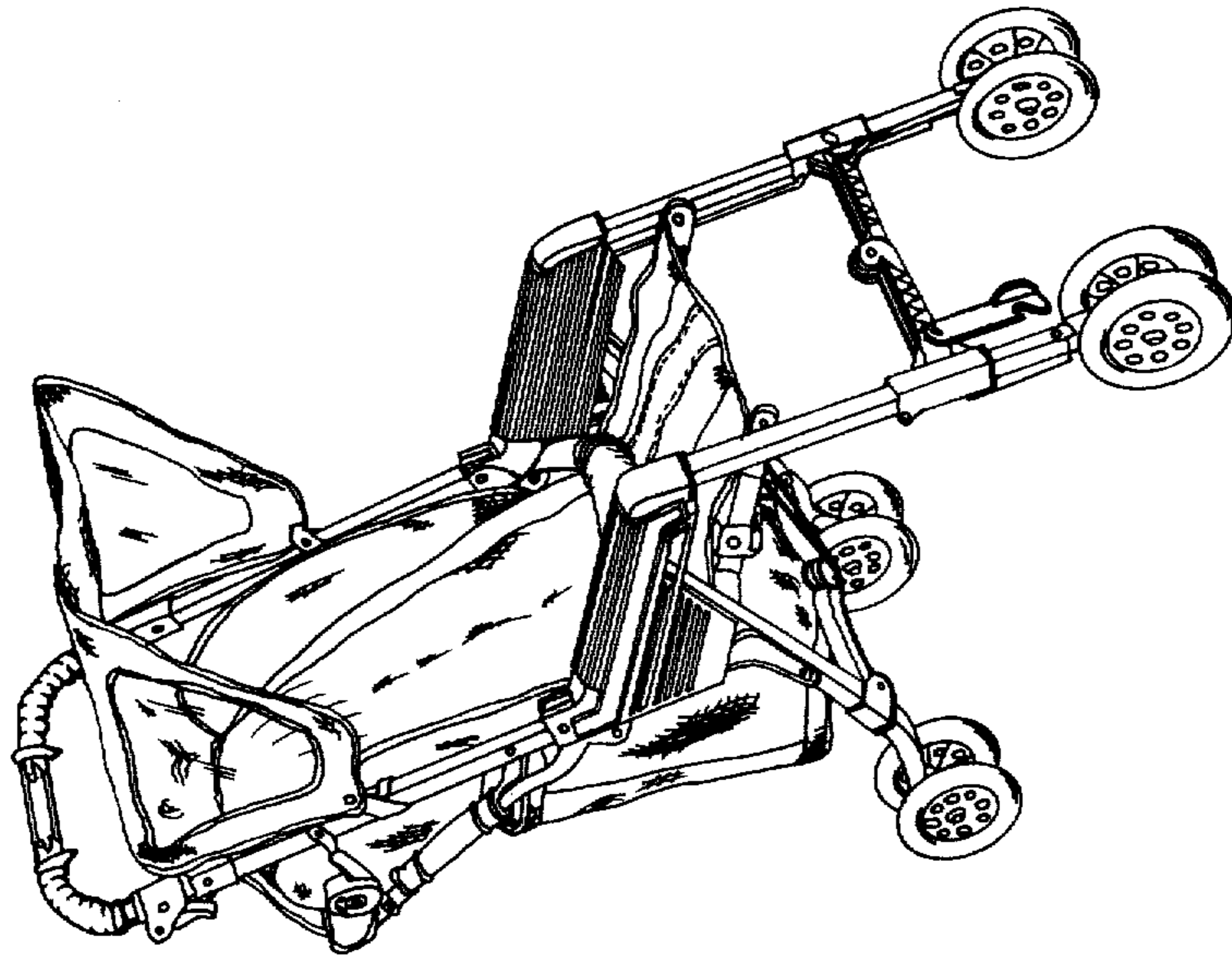


FIG. 7

